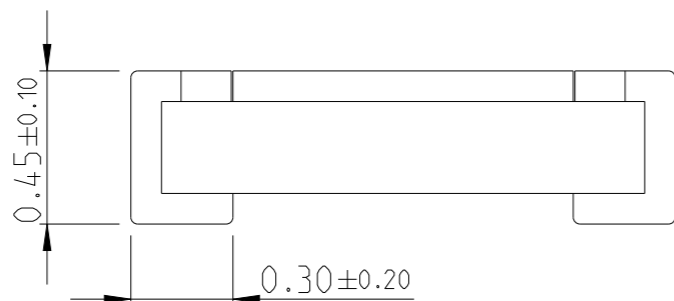
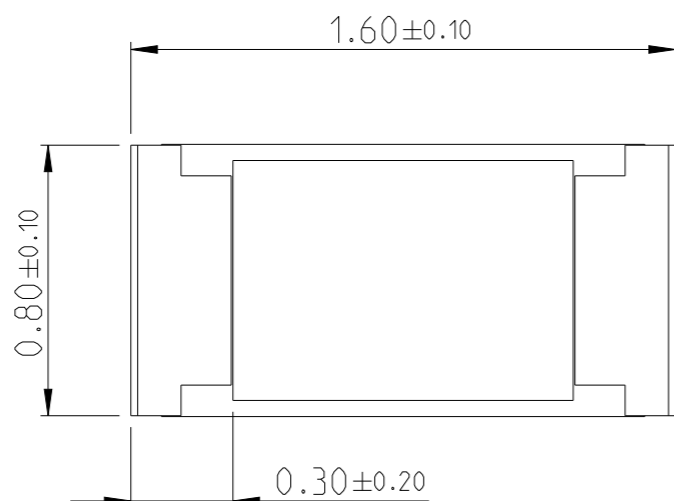


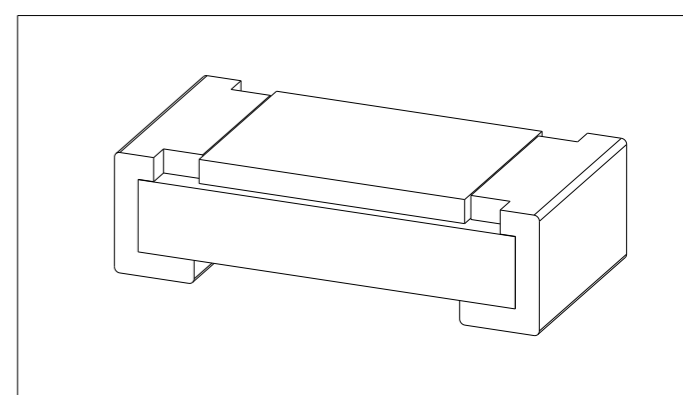
REVISIONS

P	LTR	DESCRIPTION	DATE	DWN	APVD
	BA	NEW DRAWING	02FEB2012	DMS	ST.P
	BA1	SCHEDULE ADDED	20MAY2022	DM	AP

FOR FURTHER INFORMATION SEE DATA SHEET FOR CURRENT SENSING CHIP RESISTOR - RLP73 SERIES



RoHS Compliant



THIS DRAWING IS A CONTROLLED DOCUMENT.

DWN 02FEB2012
DARSHAN MS

CHK 02FEB2012
ALLAN P

APVD 02FEB2012
STEPHEN.P

PRODUCT SPEC -

APPLICATION SPEC -

WEIGHT 0.00199 Gram

CUSTOMER DRAWING

TE TE Connectivity

NAME
SMD LOW OHMIC CURRENT SENSE RESISTORS
TYPE RLP73 SERIES

SIZE CAGE CODE DRAWING NO RESTRICTED TO

A3 00779 C=2176051 -

SCALE 45:1 SHEET 1 OF 2 REV BA1


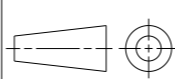
DIMENSIONS:		TOLERANCES UNLESS OTHERWISE SPECIFIED:	
mm			
	0 PLC	±	
	1 PLC	±	
	2 PLC	±	
	3 PLC	±	
	4 PLC	±	
	ANGLES		±5°
MATERIAL		FINISH	
-		-	
-		-	

REVISIONS

P	LTR	DESCRIPTION	DATE	DWN	APVD
-		SEE SHEET 1	-	-	-

SCHEDULE

TCPN	CATALOGUE NUMBER	PART DESCRIPTION	PART STATUS
2176051-1	RLP73M1JR051FTDF	RLP73M 1J R051 1% 1K RL	PRODUCTION
2176051-2	RLP73M1JR056FTDF	RLP73M 1J R056 1% 1K RL	PRODUCTION
2176051-3	RLP73M1JR062FTDF	RLP73M 1J R062 1% 1K RL	PRODUCTION
2176051-4	RLP73M1JR068FTDF	RLP73M 1J R068 1% 1K RL	PRODUCTION
2176051-5	RLP73M1JR075FTDF	RLP73M 1J R075 1% 1K RL	PRODUCTION
2176051-6	RLP73M1JR082FTDF	RLP73M 1J R082 1% 1K RL	PRODUCTION
2176051-7	RLP73M1JR091FTDF	RLP73M 1J R091 1% 1K RL	PRODUCTION
2176051-8	RLP73N1JR10FTDF	RLP73N 1J R10 1% 1K RL	PRODUCTION
2176051-9	RLP73N1JR11FTDF	RLP73N 1J R11 1% 1K RL	PRODUCTION
1-2176051-0	RLP73N1JR12FTDF	RLP73N 1J R12 1% 1K RL	PRODUCTION
1-2176051-1	RLP73N1JR13FTDF	RLP73N 1J R13 1% 1K RL	PRODUCTION
1-2176051-2	RLP73N1JR15FTDF	RLP73N 1J R15 1% 1K RL	PRODUCTION
1-2176051-3	RLP73N1JR16FTDF	RLP73N 1J R16 1% 1K RL	PRODUCTION
1-2176051-4	RLP73N1JR18FTDF	RLP73N 1J R18 1% 1K RL	PRODUCTION
1-2176051-5	RLP73N1JR20FTDF	RLP73N 1J R20 1% 1K RL	PRODUCTION
1-2176051-6	RLP73N1JR22FTDF	RLP73N 1J R22 1% 1K RL	PRODUCTION
1-2176051-7	RLP73N1JR24FTDF	RLP73N 1J R24 1% 1K RL	PRODUCTION
1-2176051-8	RLP73N1JR27FTDF	RLP73N 1J R27 1% 1K RL	PRODUCTION
1-2176051-9	RLP73N1JR30FTDF	RLP73N 1J R30 1% 1K RL	PRODUCTION
2-2176051-0	RLP73N1JR33FTDF	RLP73N 1J R33 1% 1K RL	PRODUCTION
2-2176051-1	RLP73N1JR36FTDF	RLP73N 1J R36 1% 1K RL	PRODUCTION
2-2176051-2	RLP73N1JR39FTDF	RLP73N 1J R39 1% 1K RL	PRODUCTION
2-2176051-3	RLP73N1JR43FTDF	RLP73N 1J R43 1% 1K RL	PRODUCTION
2-2176051-4	RLP73N1JR47FTDF	RLP73N 1J R47 1% 1K RL	PRODUCTION
2-2176051-5	RLP73K1JR51FTDF	RLP73K 1J R51 1% 1K RL	PRODUCTION
2-2176051-6	RLP73K1JR56FTDF	RLP73K 1J R56 1% 1K RL	PRODUCTION
2-2176051-7	RLP73K1JR62FTDF	RLP73K 1J R62 1% 1K RL	PRODUCTION
2-2176051-8	RLP73K1JR68FTDF	RLP73K 1J R68 1% 1K RL	PRODUCTION
2-2176051-9	RLP73K1JR75FTDF	RLP73K 1J R75 1% 1K RL	PRODUCTION
3-2176051-0	RLP73K1JR82FTDF	RLP73K 1J R82 1% 1K RL	PRODUCTION
3-2176051-1	RLP73K1JR91FTDF	RLP73K 1J R91 1% 1K RL	PRODUCTION
3-2176051-2	RLP73K1J1R0FTDF	RLP73K 1J 1R0 1% 1K RL	PRODUCTION
3-2176051-3	RLP73N1JR12FTD	RLP73N 1J R12 1% 5K RL	PRODUCTION
3-2176051-4	RLP73K1JR75FTD	RLP73K 1J R75 1% 5K RL	PRODUCTION
3-2176051-5	RLP73N1JR43FTD	RLP73N 1J R43 1% 5K RL	PRODUCTION

THIS DRAWING IS A CONTROLLED DOCUMENT.		DWN DARSHAN MS 02FEB2012	 TE Connectivity	
DIMENSIONS: mm		CHK ALLAN P 02FEB2012		
		APVD STEPHEN.P 02FEB2012		
TOLERANCES UNLESS OTHERWISE SPECIFIED:		PRODUCT SPEC	NAME SMD LOW OHMIC CURRENT SENSE RESISTORS TYPE RLP73 SERIES	
0 PLC ±		APPLICATION SPEC	SIZE	RESTRICTED TO
1 PLC ±			CAGE CODE	
2 PLC ±			DRAWING NO	
3 PLC ±			0.00199 Gram	
4 PLC ±			A3 00779	
ANGLES ±			©=2176051	
FINISH		WEIGHT	SCALE	SHEET
-		0.00199 Gram	60:1	2 OF 2
-		CUSTOMER DRAWING	REV	BA1