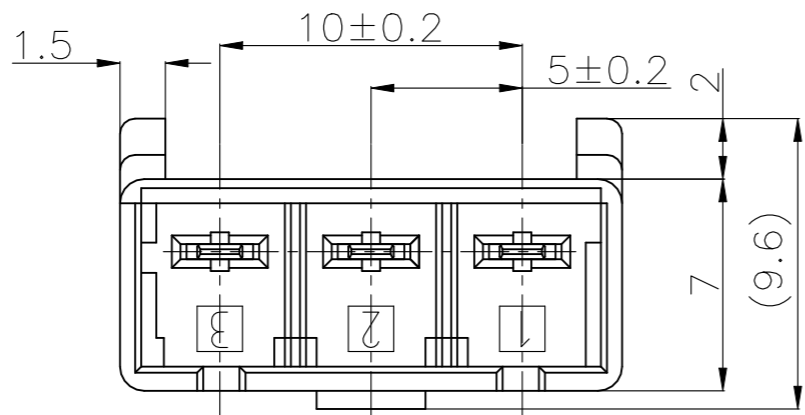
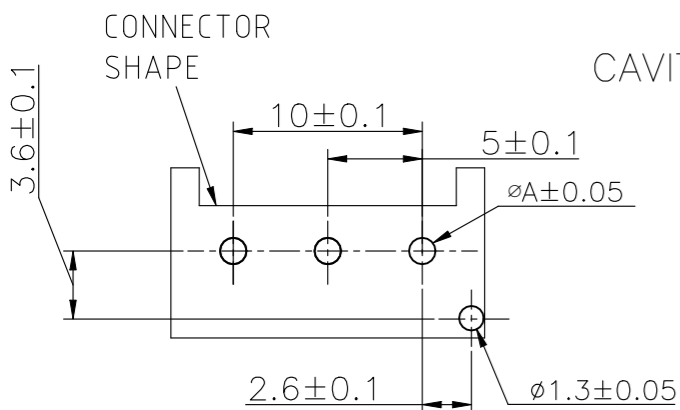
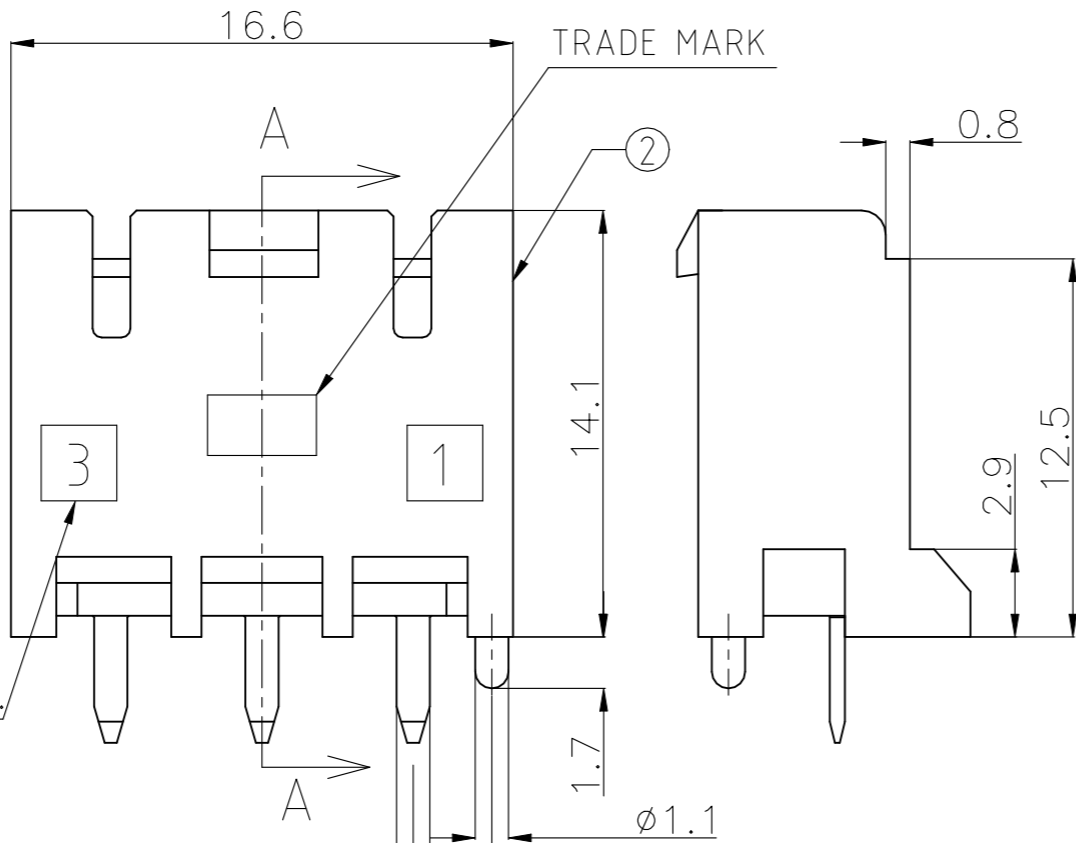
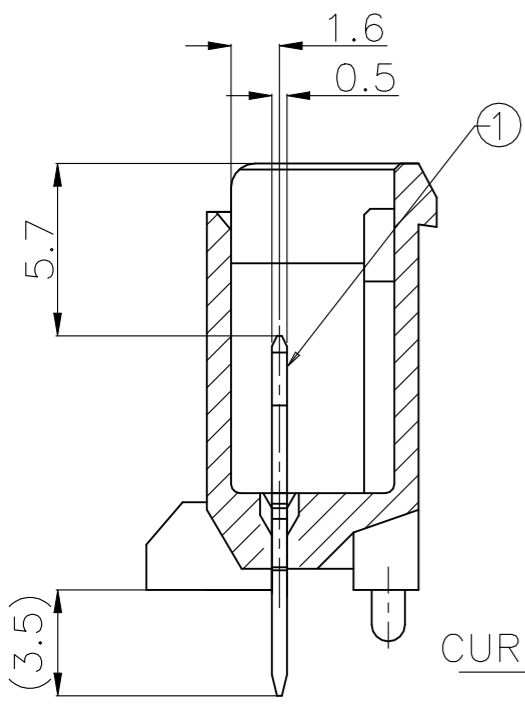
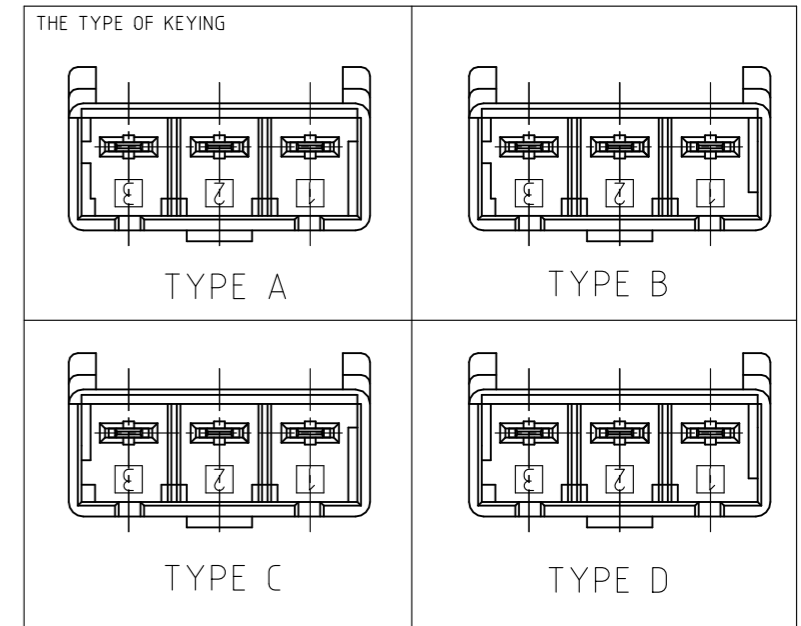


REVISIONS 変更				
P	LTR	DESCRIPTION	DATE	APVD
	C4	REVISED PER ECR-23-192778	17NOV2023	KS DZ



- △ RECOMMENDED P.C.B LAY OUT
- 2 APPLICABLE P.C.B. THICKNESS:1.6
- △ MATING CONN. P/N
- △ HIGH CURRENT RATING VERSION



NO.	NAME	MATERIAL
②	HEADER HOUSING	POLYAMIDE WITHOUT G.F.
①	TAB	TIN PLATED COPPER ALLOY

△4	3-2174299-4	TYPE D	YELLOW	3	3-2174298-6
△4	2-2174299-3	TYPE C	BLUE	3	2-2174298-6
△4	1-2174299-2	TYPE B	RED	3	1-2174298-6
△4	2174299-1	TYPE A	NATURAL	3	2174298-6
	3-2174299-4	TYPE D	YELLOW	3	3-2174298-4
	2-2174299-3	TYPE C	BLUE	3	2-2174298-3
	1-2174299-2	TYPE B	RED	3	1-2174298-2
	2174299-1	TYPE A	NATURAL	3	2174298-1
	MATING CONN. P/N	△3	TYPE OF KEYING	COLOR	Pos PART NO.

PUNCHING	1.25
DRILLING	1.4
	DIM. A

△1 RECOMMENDED PCB HOLES

THIS DRAWING IS A CONTROLLED DOCUMENT.

DWN Y.OKADA 22MAR2011
CHK N.YAMASAKI 22MAR2011
APVD N.YAMASAKI 22MAR2011

PRODUCT SPEC
製品規格
108-78863

APPLICATION SPEC
取付適用規格

WEIGHT 1.0 g

CUSTOMER DRAWING

SCALE 4:1 SHEET 1 OF 1 REV C4

RESTRICTED TO

5.0 POWER KEY CONNECTOR
3P HEADER ASSEMBLY
WITHOUT G.F.

SIZE A3 CAGE CODE 00779 DRAWING NO. C-2174298