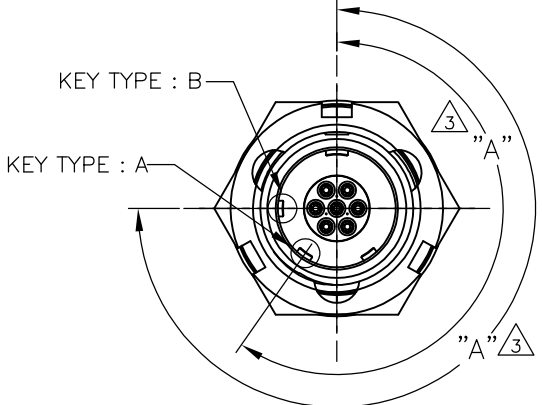


THIS DRAWING IS UNPUBLISHED. RELEASED FOR PUBLICATION FEB. 2012.
 © COPYRIGHT 2012 By Tyco Electronics Japan G.K. ALL RIGHTS RESERVED.

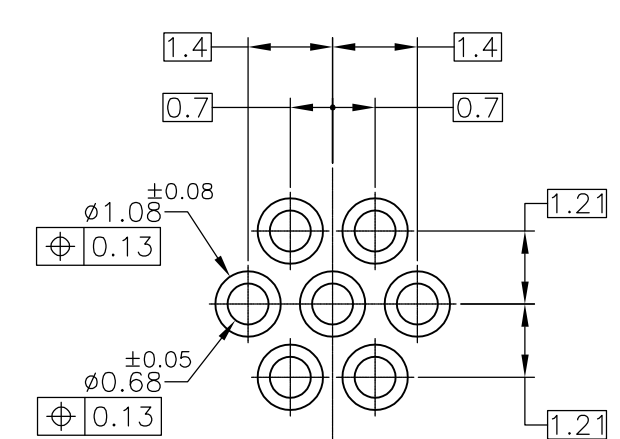
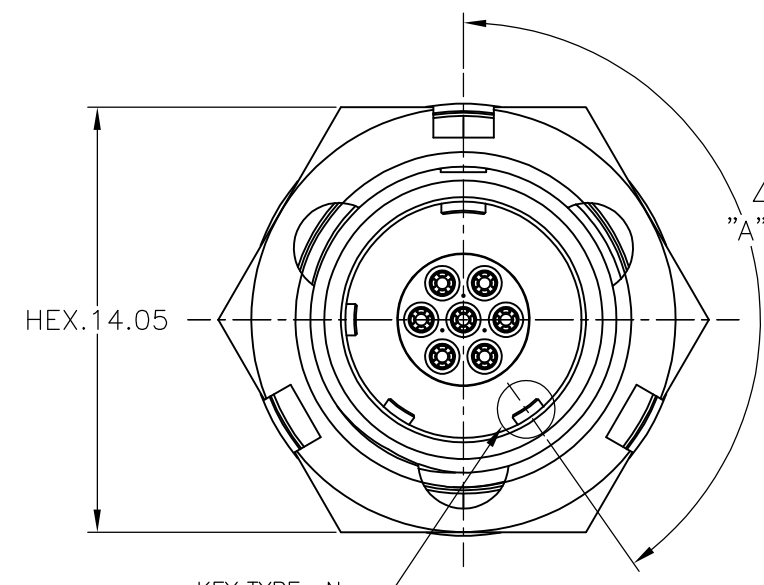
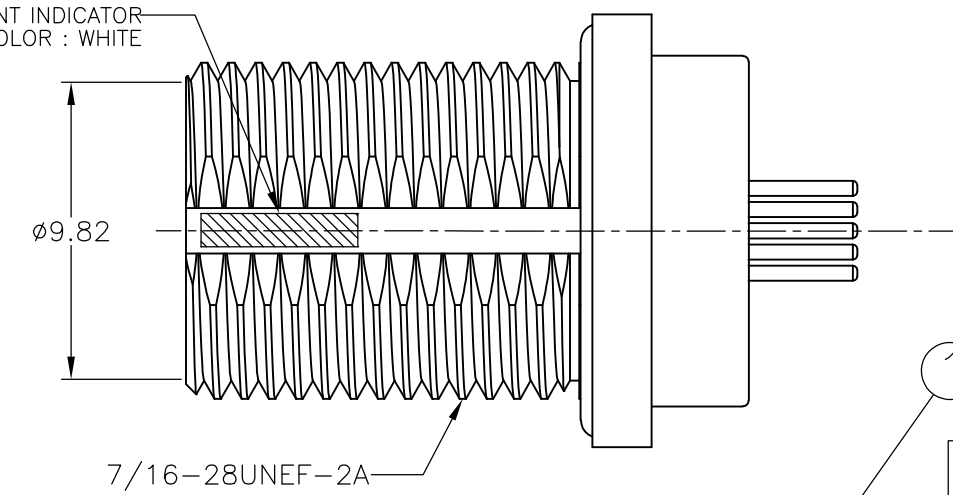
LOC	DIST	REVISIONS			
P	LTR	DESCRIPTION	DATE	DWN	APVD
—	—				
	A3	REVISED	24JUL2015	T.K	C.O

本図: 2174227-1
 AS SHOWN: 2174227-1

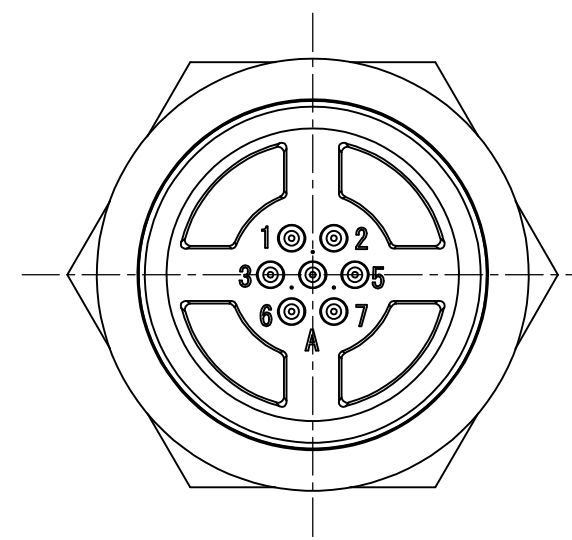
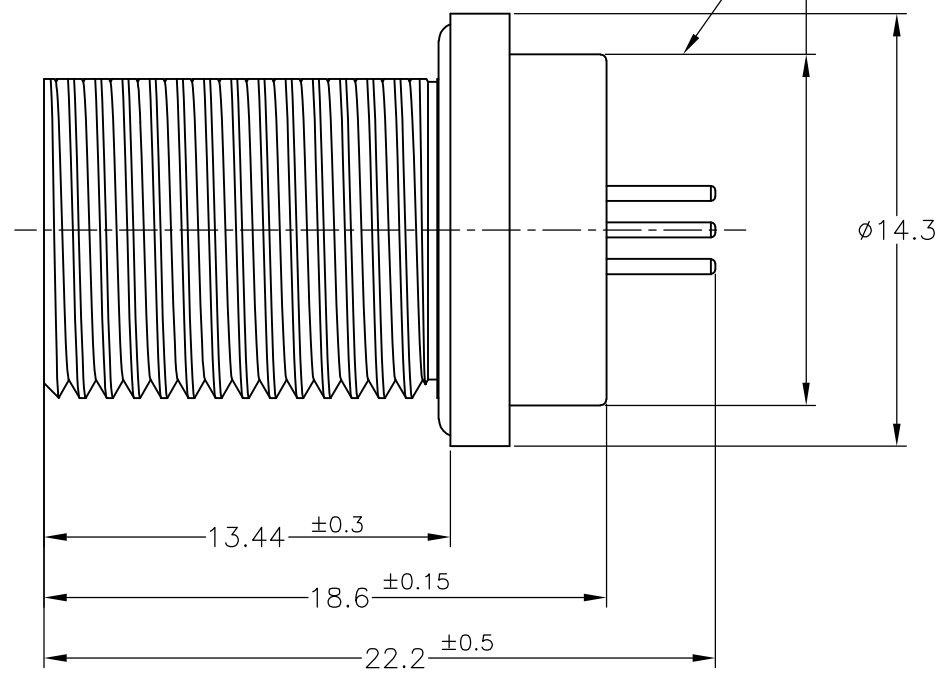
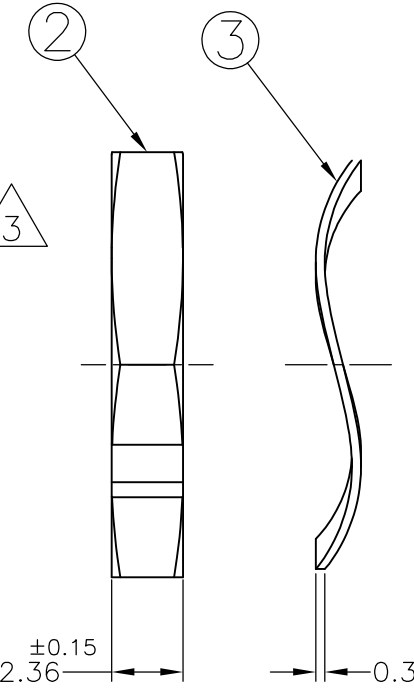
- ① MATERIAL: BRASS
FINISH: BLACK Sn-Ni, OVER Ni (9 ~ 10um)
- ② MATERIAL: BRASS
FINISH: Ni PLATING (3 ~ 6um)
- ③ KEY OPTION: TYPE N IS NORMAL POSITION.
OPTION KEY IS TYPE A(-2) AND TYPE B(-3).



KEY POSITION OPTION SCALE 2:1



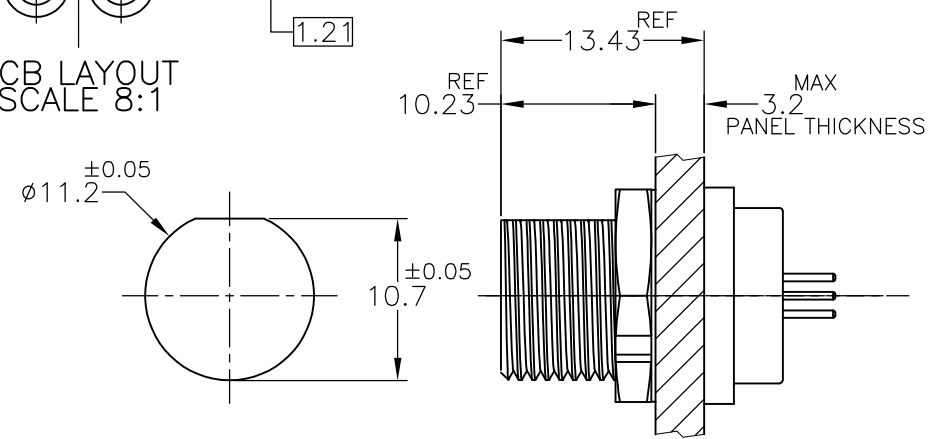
PCB LAYOUT SCALE 8:1



③ KEY POSITION

270°	TYPE B	2174227-3
215°	TYPE A	2174227-2
145°	TYPE N	2174227-1
DIM "A"	KEY TYPE	PART NUMBER

-3	-2	-1	PART NUMBER	ITEM
1	1	1	②	HEX. NUT
1	1	1	③	WAVE SPRING WASHER
1				CONNECTOR ASSEMBLY KEY-B
	1		①	CONNECTOR ASSEMBLY KEY-A
		1		CONNECTOR ASSEMBLY KEY-N
QTY			FINISH	ITEM



PANEL MOUNT REFERENCE DIMENSION SCALE 2:1

THIS DRAWING IS A CONTROLLED DOCUMENT.

DIMENSIONS:	TOLERANCES UNLESS OTHERWISE SPECIFIED:
mm	±0.1
①-PLC	±
②-PLC	±
③-PLC	±
④-PLC	±
ANGLES	±5°
MATERIAL	FINISH
①	-

DWN	T.SUGIYAMA	19FEB2012
CHK	T.TONOBE	07MAY2012
APVD	T.SUGIYAMA	07MAY2012
PRODUCT SPEC	108-78938	
APPLICATION SPEC	114-5503	
WEIGHT	10.860g	

STE TE Connectivity

NMSMC 7P THREAD RECE
 PIN SOCKET / SOLDER TAIL
 CONNECTOR KIT

SIZE	CAGE CODE	DRAWING NO	RESTRICTED TO
A3	00779	C-2174227	-

CUSTOMER DRAWING SCALE 4:1 SHEET 1 OF 1 REV A3