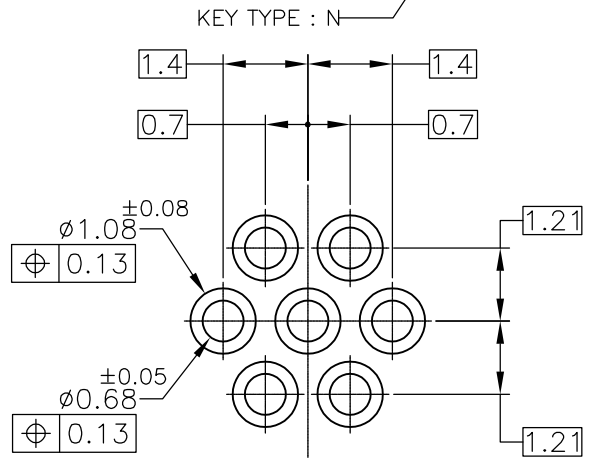
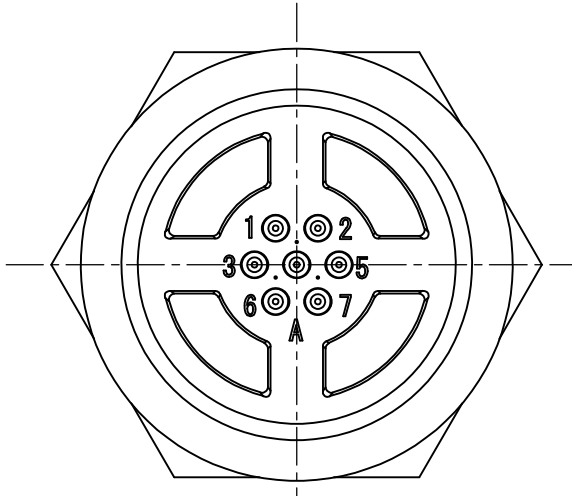
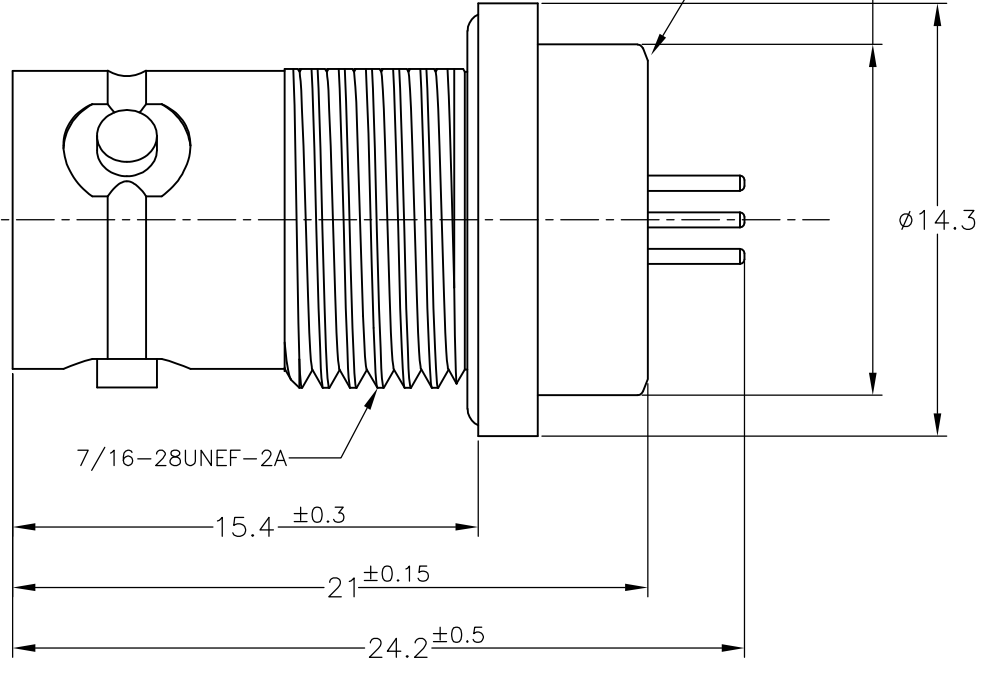
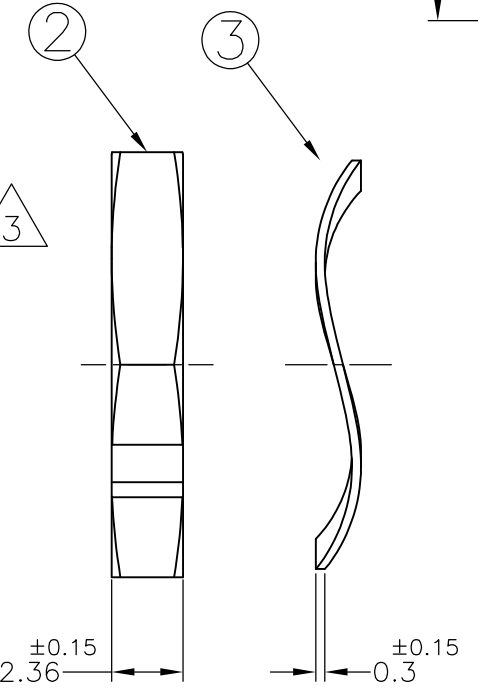
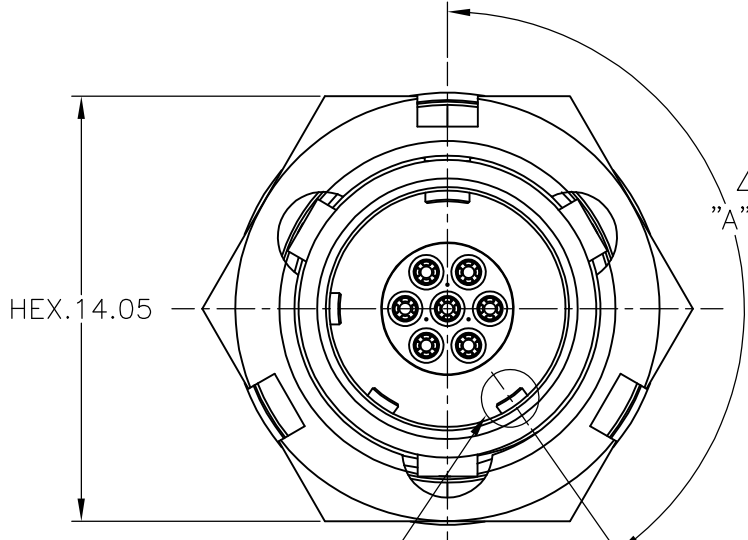
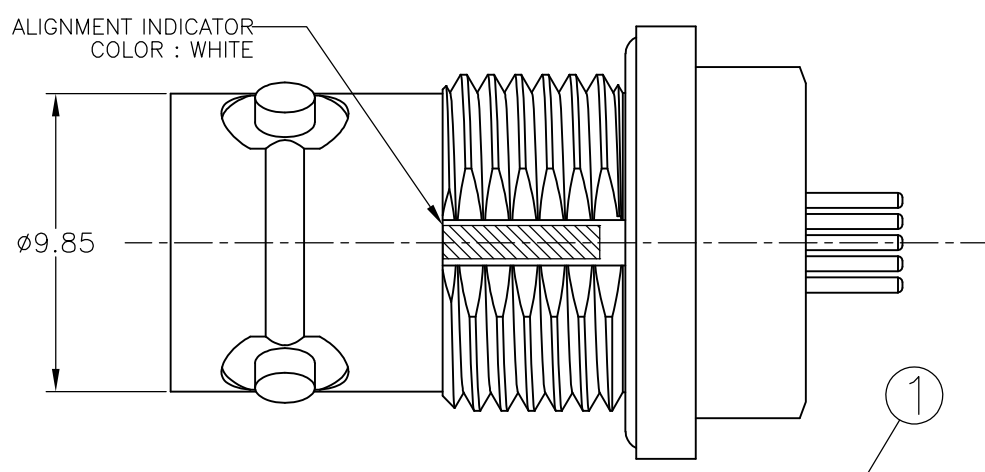
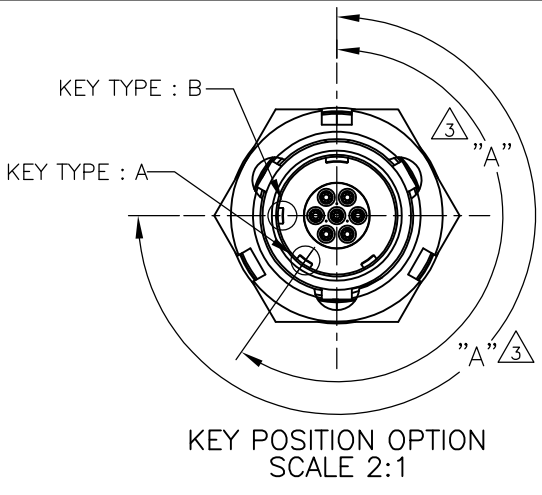


THIS DRAWING IS UNPUBLISHED. RELEASED FOR PUBLICATION FEB. 2012.
 © COPYRIGHT 2012 By Tyco Electronics Japan G.K. ALL RIGHTS RESERVED.

LOC	DIST	REVISIONS			
P	LTR	DESCRIPTION	DATE	DWN	APVD
—	—				
	A3	REVISED	24JUL2015	T.K	C.O

本図: 2174226-1
 AS SHOWN: 2174226-1

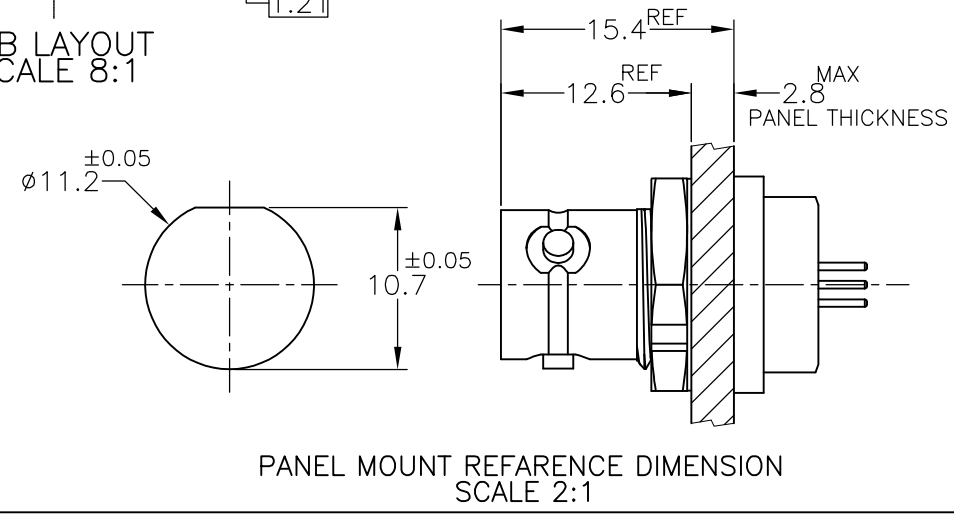
- ① MATERIAL: BRASS
 FINISH: BLACK Sn-Ni, OVER Ni (9 ~ 10um)
- ② MATERIAL: BRASS
 FINISH: Ni PLATING (3 ~ 6um)
- ③ KEY OPTION: TYPE N IS NORMAL POSITION.
 OPTION KEY IS TYPE A(-2) AND TYPE B(-3).



③ KEY POSITION

270°	TYPE B	2174226-3
215°	TYPE A	2174226-2
145°	TYPE N	2174226-1
DIM "A"	KEY TYPE	PART NUMBER

-3	-2	-1	PART NUMBER	ITEM
1	1	1	②	HEX. NUT
1	1	1	③	WAVE SPRING WASHER
1			①	CONNECTOR ASSEMBLY KEY-B
	1		①	CONNECTOR ASSEMBLY KEY-A
		1	①	CONNECTOR ASSEMBLY KEY-N
QTY			FINISH	ITEM



THIS DRAWING IS A CONTROLLED DOCUMENT.

DIMENSIONS: mm	TOLERANCES UNLESS OTHERWISE SPECIFIED: ±0.1	DWN T.SUGIYAMA 19FEB2012	STE TE Connectivity
0-PLC ±	1-PLC ±	CHK T.TONOBE 07MAY2012	
2-PLC ±	3-PLC ±	APVD T.SUGIYAMA 07MAY2012	NAME
4-PLC ±	ANGLES ±5°	PRODUCT SPEC	NMSMC 7P BAYONET RECE PIN SOCKET / SOLDER TAIL CONNECTOR KIT
MATERIAL ①	FINISH -	APPLICATION SPEC	SIZE CAGE CODE DRAWING NO RESTRICTED TO
		108-78938	114-5503
		WEIGHT 10.810g	A3 00779 C-2174226
		CUSTOMER DRAWING	SCALE 4:1 SHEET 1 OF 1 REV A3