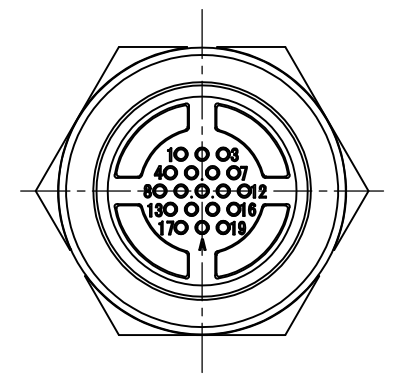
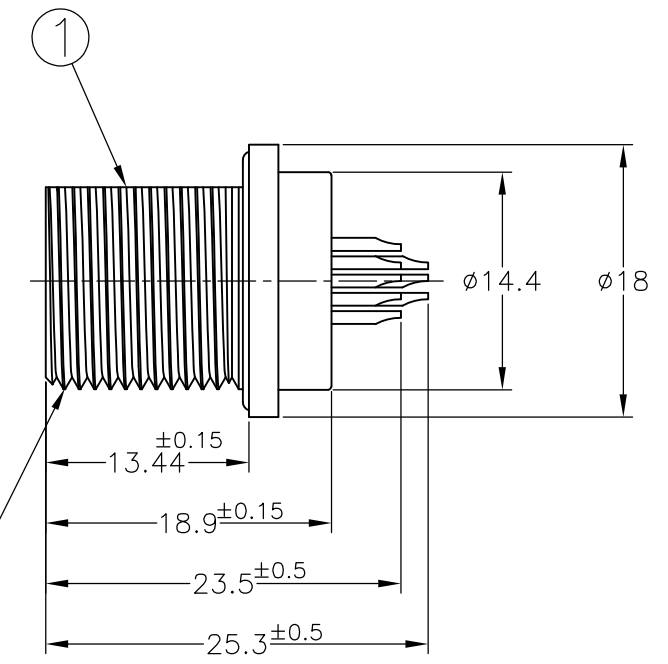
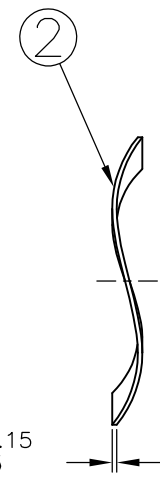
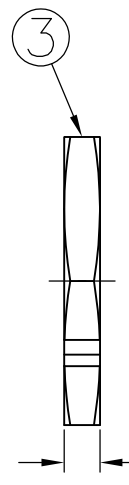
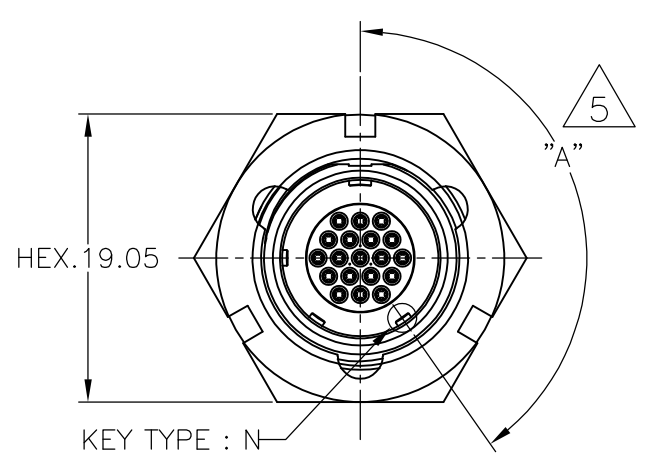
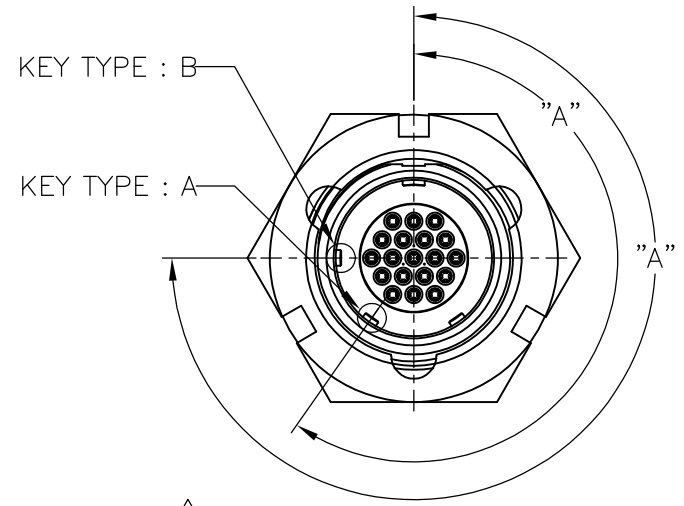
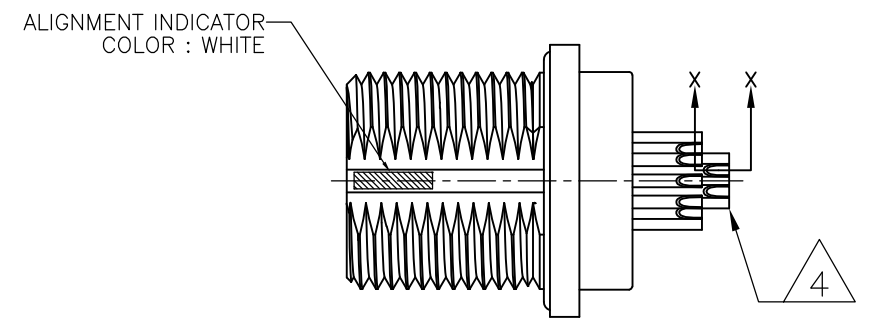
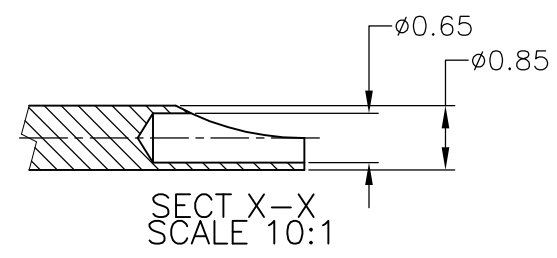


THIS DRAWING IS UNPUBLISHED. RELEASED FOR PUBLICATION FEB. 2012.
 © COPYRIGHT 2012 By Tyco Electronics Japan G.K. ALL RIGHTS RESERVED.

LOC	DIST	REVISIONS					
		P	LTR	DESCRIPTION	DATE	DWN	APVD
—	—		A2	REVISED	24JUL2015	T.K	C.O

本図: 2174196-1
 AS SHOWN: 2174196-1

- ① MATERIAL: BRASS
- ② FINISH : BLACK Sn-Ni, OVER Ni (9 ~ 10um)
- ③ FINISH : Ni PLATING (3 ~ 6um)
- ④ FINISH : Au PLATING (1.0um), Ni PLATING (2um MIN.)
- ⑤ KEY OPTION : TYPE N IS NORMAL POSITION.
 OPTION KEY IS TYPE A(-2) AND TYPE B(-3).

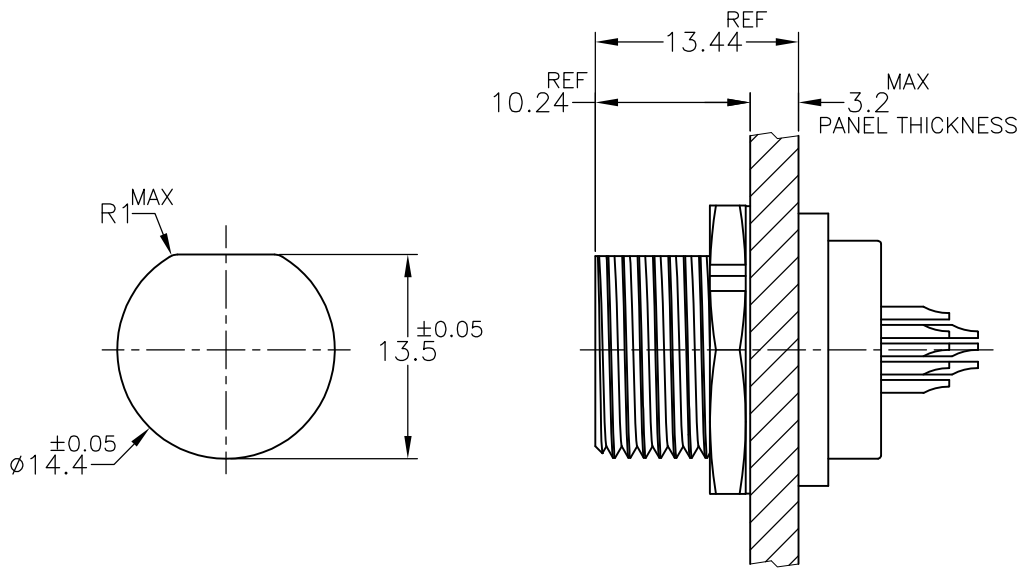


⑤ KEY POSITION OPTION

⑤ KEY POSITION

270°	TYPE B	2174196-3
215°	TYPE A	2174196-2
145°	TYPE N	2174196-1
DIM "A"	KEY TYPE	PART NUMBER

-3	-2	-1	PART NUMBER	ITEM
1	1	1	②	HEX. NUT
1	1	1	③	WAVE SPRING WASHER
1			④	CONNECTOR ASSEMBLY KEY-B
	1		①	CONNECTOR ASSEMBLY KEY-A
		1		CONNECTOR ASSEMBLY KEY-N
QTY			FINISH	ITEM



THIS DRAWING IS A CONTROLLED DOCUMENT.

DWN	T.SUGIYAMA	19FEB2012
CHK	T.TONOBE	07MAY2012
APVD	T.SUGIYAMA	07MAY2012
PRODUCT SPEC	108-78938	
APPLICATION SPEC	114-5503	
WEIGHT	19.000g	A3
CUSTOMER DRAWING		

TE Connectivity

NMSMC 19P THREADED RECEPTACLE / SOLDER CUP CONNECTOR KIT

SIZE	CAGE CODE	DRAWING NO	RESTRICTED TO
A3	00779	C-2174196	—

SCALE 2:1 SHEET 1 OF 1 REV A2