

THIS DRAWING IS UNPUBLISHED.

RELEASED FOR PUBLICATION

LOC DIST

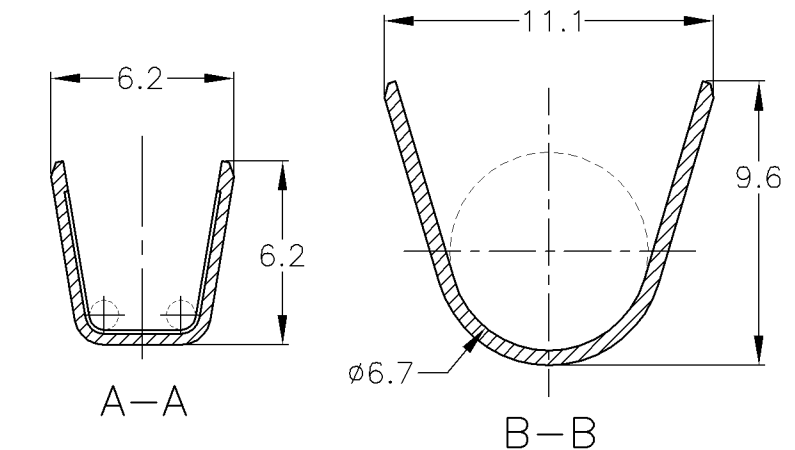
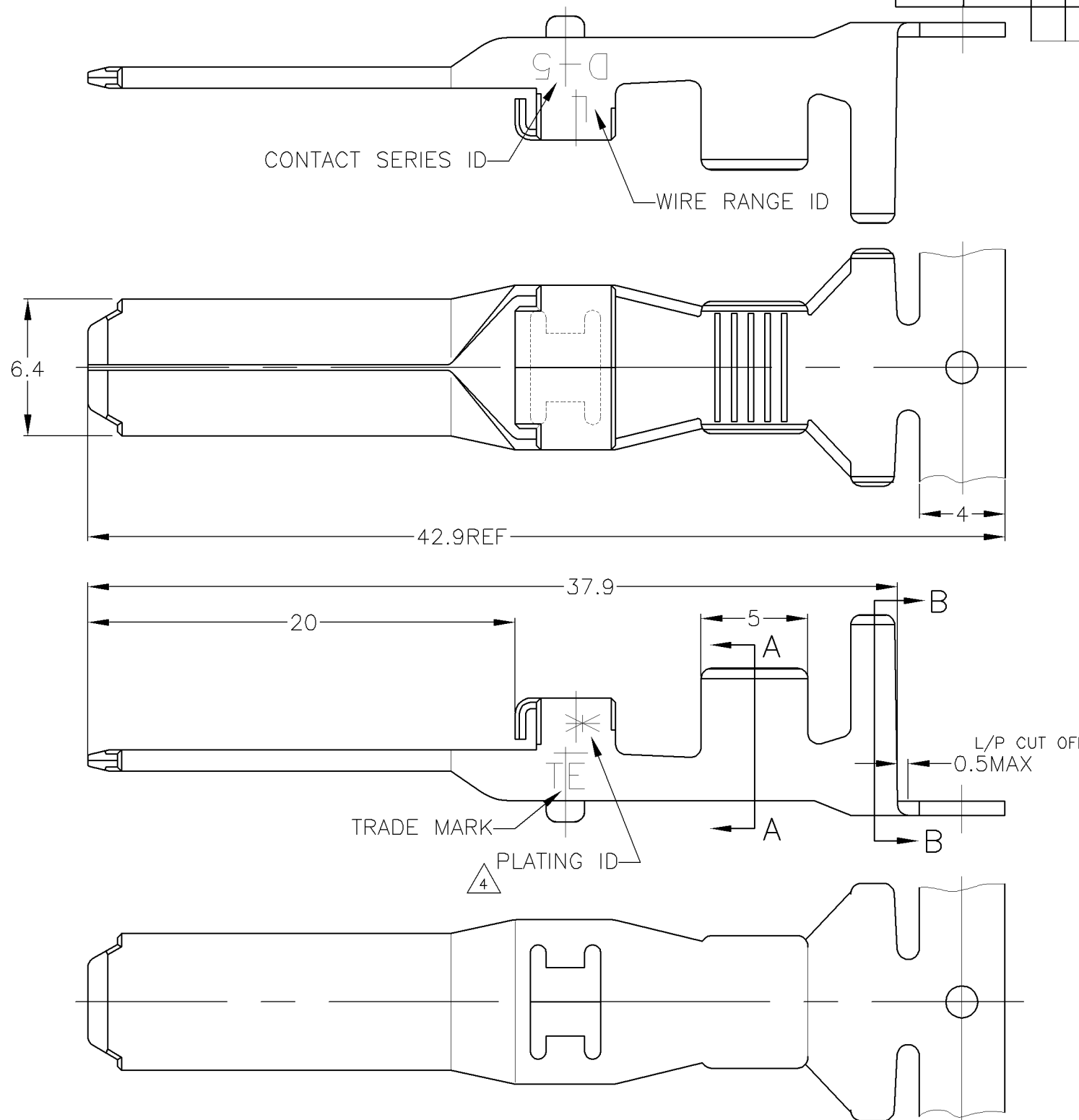
REVISIONS

© COPYRIGHT BY TYCO ELECTRONICS CORPORATION. ALL INTERNATIONAL RIGHTS RESERVED.

| P | LTR | DESCRIPTION | DATE | DWN | APVD |
|---|-----|-------------|-----------|-----|------|
| | A | RELEASED | 04MAR2011 | M.M | N.Y |

AS SHOWN : 2174021-1

- △1. MATERIAL : COPPER ALLOY
- △2. FINISH : (ALL OVER) NICKEL PLATING 0.0013mm MIN
- △3. FINISH : (CONTACT AREA) SILVER PLATING 0.0026mm MIN OVER NICKEL PLATING.
- △4. PLATING ID : 6 (SILVER)



| | | | |
|--------|----|------------|-----------|
| △2 | △3 | 6 | 2174021-1 |
| FINISH | | PLATING ID | PART NO |
| | | △4 | |

| | | | |
|------------|---|----------------|-------------------|
| WIRE RANGE | (AWG #8) 7.95 ~ 8.92 mm ² | INSULATION DIA | Ø4.90 ~ Ø7.80 MAX |
|------------|---|----------------|-------------------|

| | | | | |
|--|-------|------------------|------------|---------------|
| THIS DRAWING IS A CONTROLLED DOCUMENT. | | DWN | M.MAEBASHI | 04MAR2011 |
| DIMENSIONS: mm | | CHK | N.YAMASAKI | 04MAR2011 |
| TOLERANCES UNLESS OTHERWISE SPECIFIED: | | APVD | N.YAMASAKI | 04MAR2011 |
| 0 PLC ± 0.5 | | PRODUCT SPEC | | |
| 1 PLC ± 0.5 | | 108-5453 | | |
| 2 PLC ± 0.5 | | APPLICATION SPEC | | |
| 3 PLC ± 0.5 | | 114-5206 | | |
| 4 PLC ± 0.5 | | WEIGHT | | |
| ANGLES ± 5' | | - | | |
| MATERIAL | △1 | CUSTOMER DRAWING | | |
| FINISH | △2-△3 | SIZE | A300779 | DRAWING NO |
| | | CAGE CODE | C-2174021 | RESTRICTED TO |
| | | SCALE | 4:1 | SHEET 1 OF 1 |
| | | REV | A | |