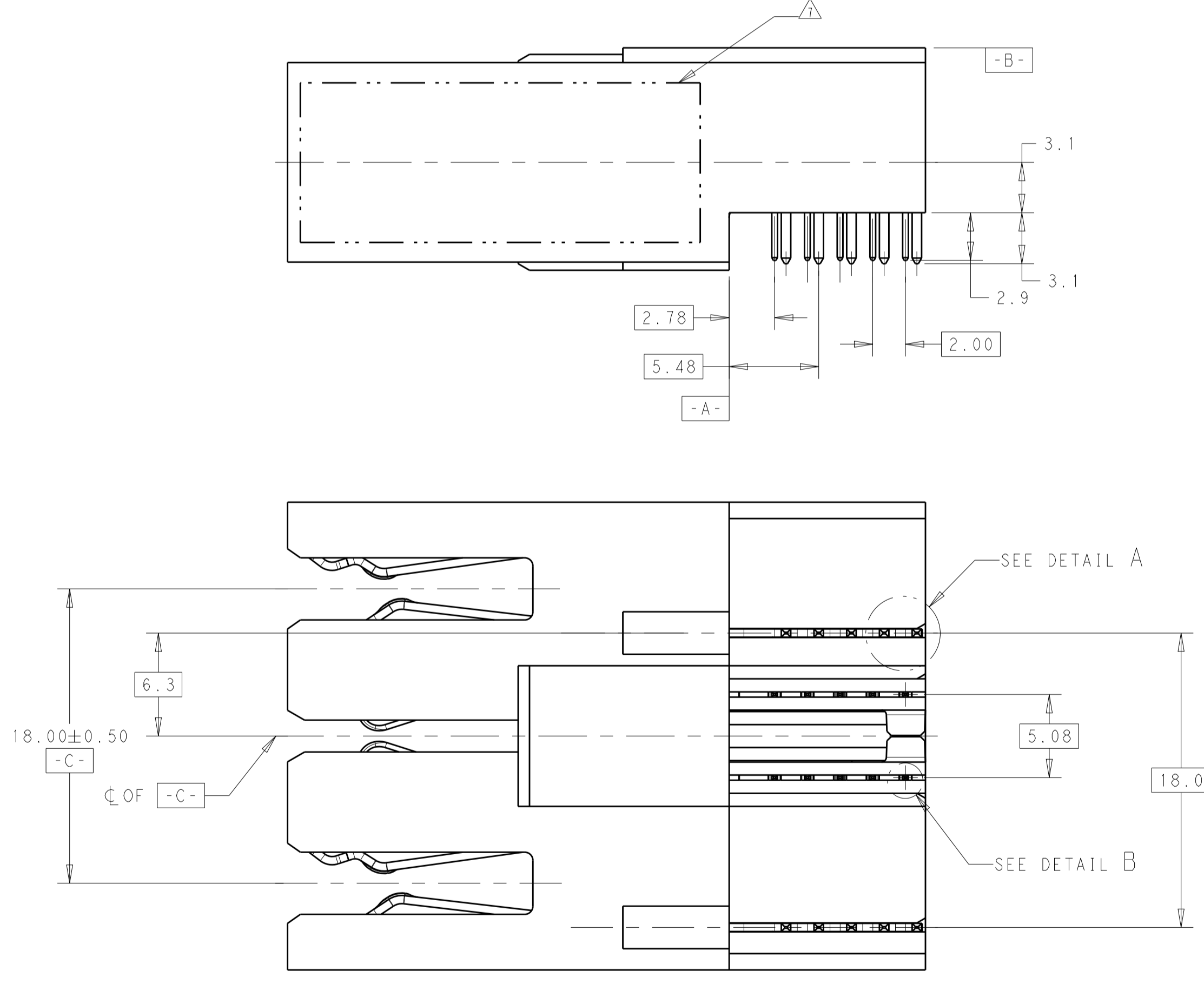
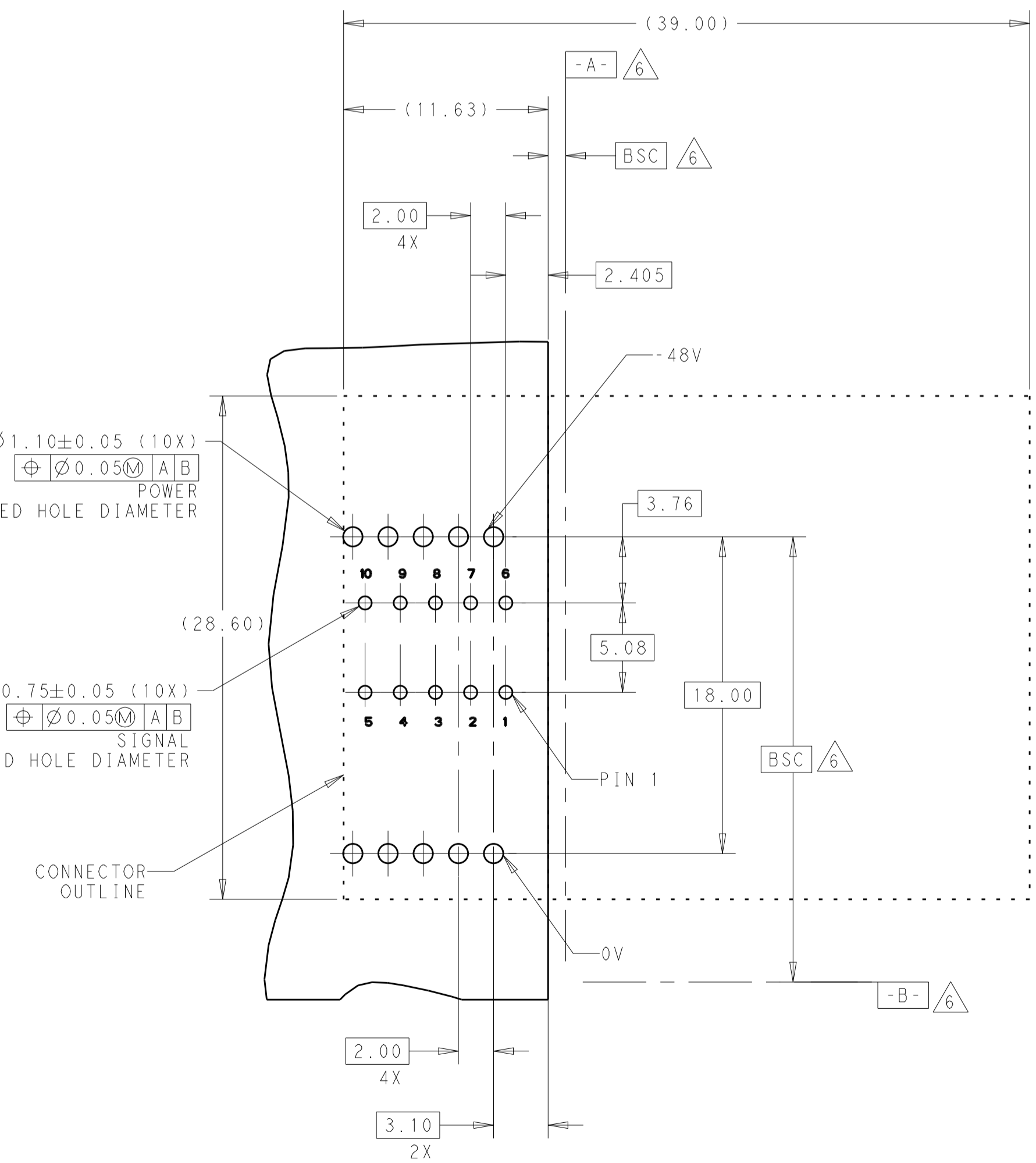
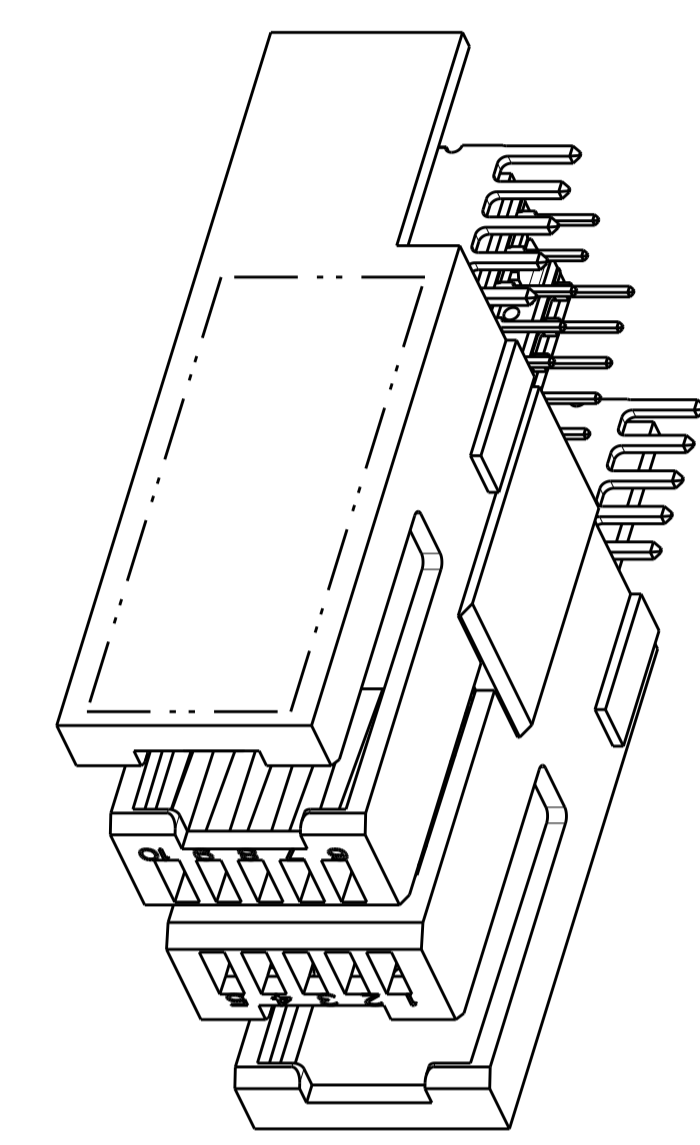
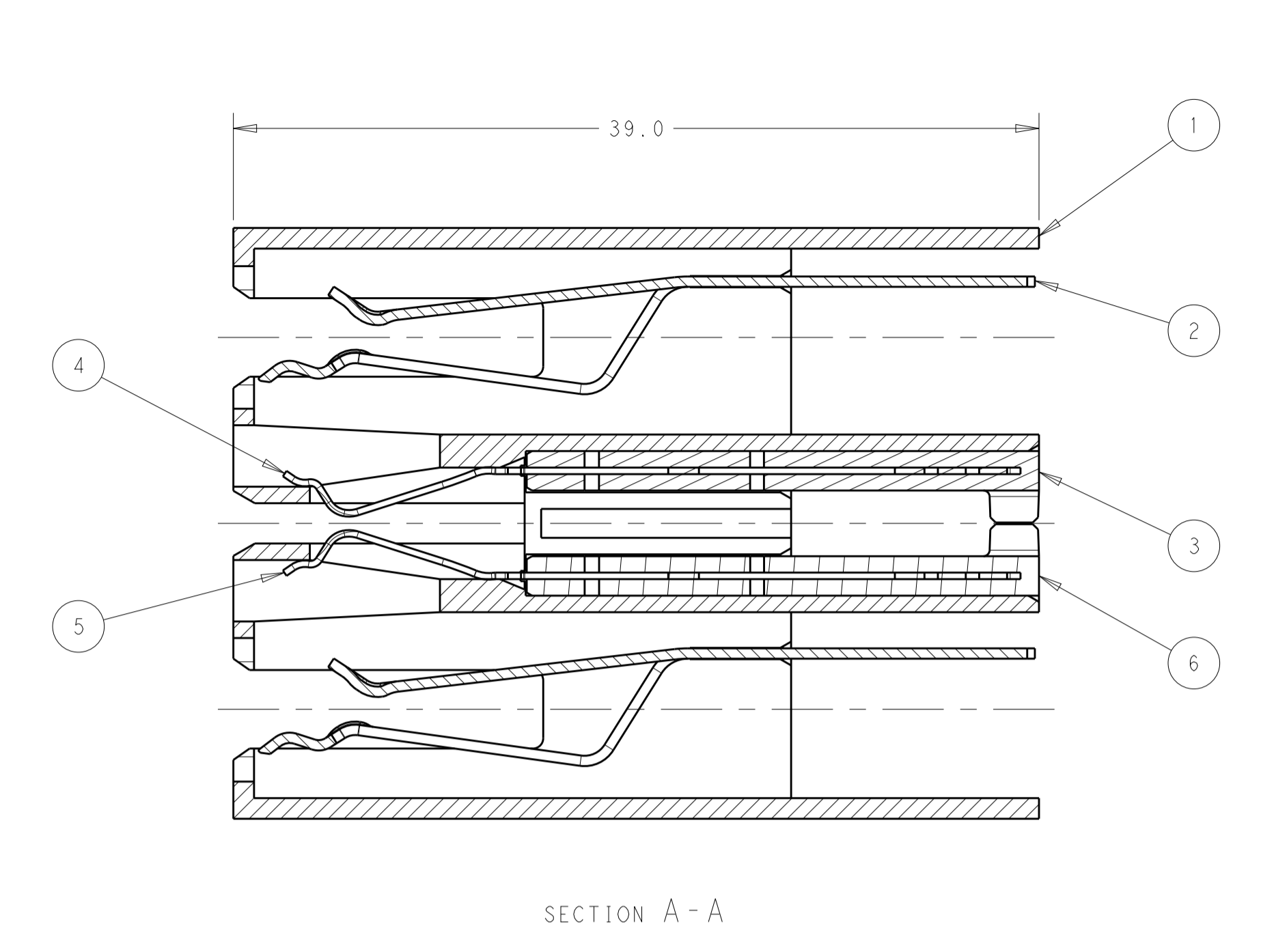
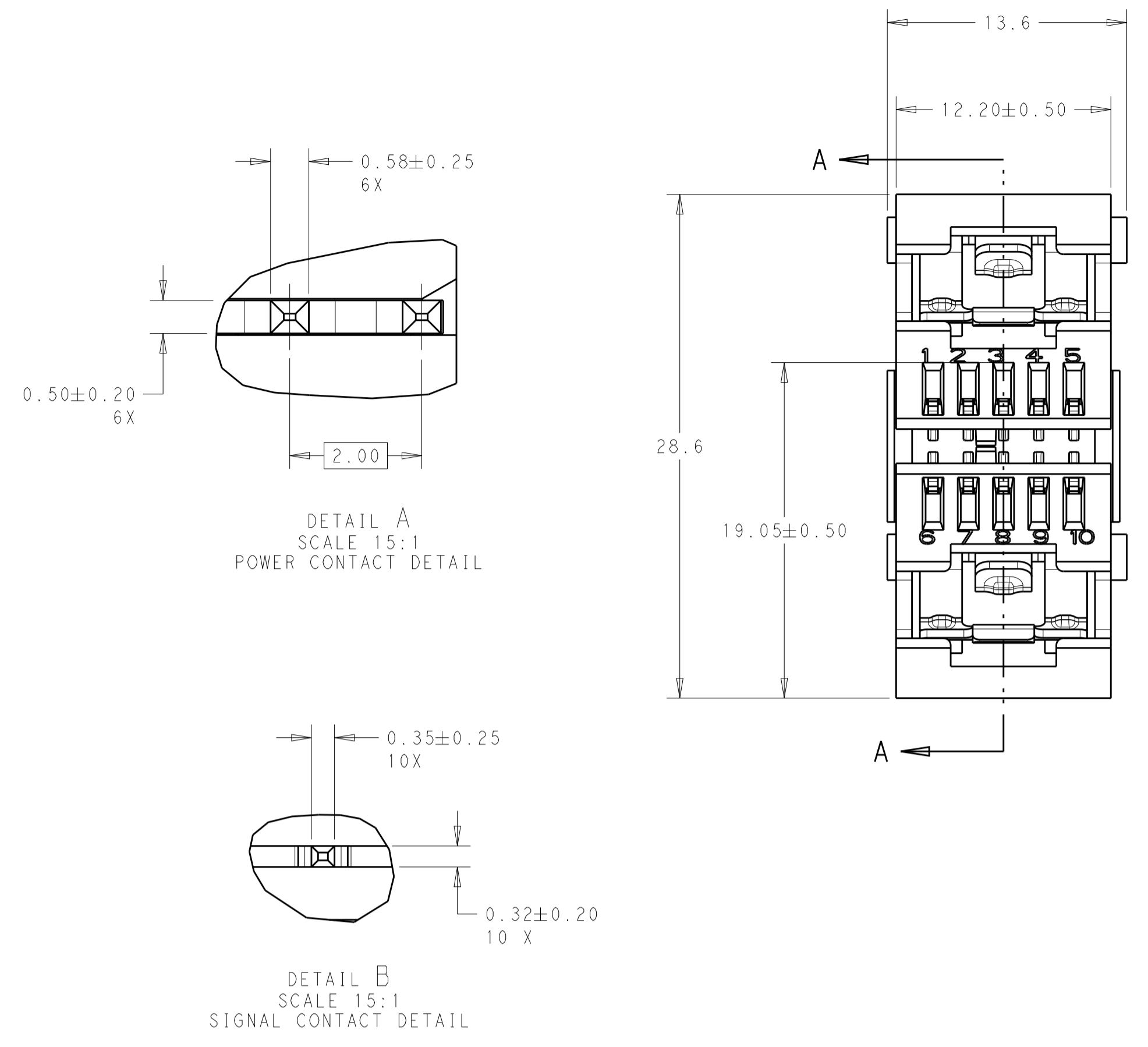


REVISIONS				
P.	LTN.	DESCRIPTION	DATE	OWN. APVD.
14		SEE LAST SHEET	-	-



- △ 2173861-1 WITH SIGNAL CONNECTOR.
- △ 2173861-2 WITHOUT SIGNAL CONNECTOR.
- 3. PACKAGING TO BE DETERMINED.
- 4. POWER CONTACTS SUITABLE FOR 3.0±0.2mm THICK CONDUCTORS.
- 5. SIGNAL CONNECTOR SUITABLE FOR 1.6±0.16mm THICK PCB.
- △ DATUMS AND BASIC DIMENSIONS ESTABLISHED BY CUSTOMER.
- △ CONNECTOR MARKED WITH PART NUMBER AND DATE CODE IN APPROXIMATE AREA SHOWN.
- △ TRUE POSITION OF PCB HOLES ESTABLISHED BY CUSTOMER.

THIS PRINT IS
PRELIMINARY
 UNQUALIFIED PRODUCT
 CONTACT PRODUCT ENGINEERING
 BEFORE USING THIS PRINT


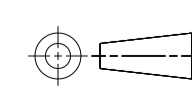
PARTNUMBER	ITEM NO.	DESCRIPTION	MATERIAL	FINISH	QTY
2173861-2	2	POWER CONTACT	COPPER ALLOY	UNDERLAYER NICKEL; CONTACT AREA SILVER; SOLDER AREA TIN	2
	1	HOUSING	PA6T 45%GF	BLACK	1
2173861-1	6	SIGNAL HOUSING BOTTOM	PA6T 45%GF	BLACK	1
	5	SIGNAL CONTACT BOTTOM	COPPER ALLOY	UNDERLAYER NICKEL; CONTACT AREA GOLD; SOLDER AREA TIN	5
	4	SIGNAL CONTACT TOP	COPPER ALLOY	UNDERLAYER NICKEL; CONTACT AREA GOLD; SOLDER AREA TIN	5
	3	SIGNAL HOUSING TOP	PA6T 45%GF	BLACK	1
	2	POWER CONTACT	COPPER ALLOY	UNDERLAYER NICKEL; CONTACT AREA SILVER; SOLDER AREA TIN	2
	1	HOUSING	PA6T 45%GF	BLACK	1

THIS DRAWING IS A CONTROLLED DOCUMENT.		DWN	R. Daamen	30JAN2013
DIMENSIONS:		CHK	D. Campschrøet	30JAN2013
mm	0 PLC ±0.5	APVD	G. J. Verduin	30JAN2013
	1 PLC ±0.5	NAME		
	2 PLC ±0.30	CONNECTOR, RA, PCB MOUNT, POWER AND SIGNAL		
	3 PLC ±0.150	PRODUCT SPEC		
	4 PLC ±0.150	APPLICATION SPEC		
	ANGLES ±0.2°	SIZE		
MATERIAL	FINISH	WEIGHT	A100779C=2173861	
		Customer Drawing	SCALE	4:1
			SHEET	1 OF 2
			REV	14

THIS DRAWING IS UNPUBLISHED. RELEASED FOR PUBLICATION
 © COPYRIGHT BY TYCO ELECTRONICS CORPORATION. ALL RIGHTS RESERVED.

REVISIONS				
P.	LTN	DESCRIPTION	DATE	APVD
-	-	SEE SHEET 1	-	-

2173861-C					STOCK DISPOSITION			
REVISION HISTORY					A: CONTINUE AS IS	D: USE OLD FIRST		
					B: REWORK	E: PARTS TO CONFORM		
					C: SCRAP	F: OTHER		
DATE	REV	CHANGES	REASON	APPROVAL	INVENTORY (A,B,C,D,E,F)	WORK IN PROCESS (A,B,C,F)	SUPPLIER ORDERS (A,E,F)	OPEN CUST ORDERS (A,E,F)
03SEP2013	10	ADD TAIL LENGTH	-	ORRIS	-	-	-	-
05SEP2013	11	REV TO U.S. FORMAT AND ADDED REVISION SHEET	-	ORRIS (CARBO)	-	-	-	-
11SEP2013	12	REV PCB DIMS: FROM [2.400] TO [2.41], FROM [3.75] TO [3.76], FROM [3.08] TO [3.10]	-	ORRIS (CARBO)	-	-	-	-
22JUL2014	13	[2.405] WAS [2.41], ADD CONNECT OUTLINE TO PCB LAYOUT (187)	-	WICKES	-	-	-	-
22JUL2014	14	ADD PRODUCT DIMENSION TOLERANCE	-	MAC	-	-	-	-

THIS DRAWING IS A CONTROLLED DOCUMENT.		DWN: R. Daamen 30JAN2013 CHK: D. Campschoer 30JAN2013 APVD: G. J. Verduijn 30JAN2013	 TE Connectivity
DIMENSIONS: mm 	TOLERANCES UNLESS OTHERWISE SPECIFIED: 0 PLC ± 1 PLC ± 2 PLC ± 3 PLC ± 4 PLC ± ANGLES ± FINISH	NAME: CONNECTOR, RA, PCB MOUNT, POWER AND SIGNAL PRODUCT SPEC: APPLICATION SPEC: WEIGHT:	
MATERIAL:		SIZE: A100779 CAGE CODE: C=2173861 DRAWING NO: 2173861 RESTRICTED TO:	SCALE: 4:1 SHEET: 2 OF 2 REV: 1.4 Customer Drawing