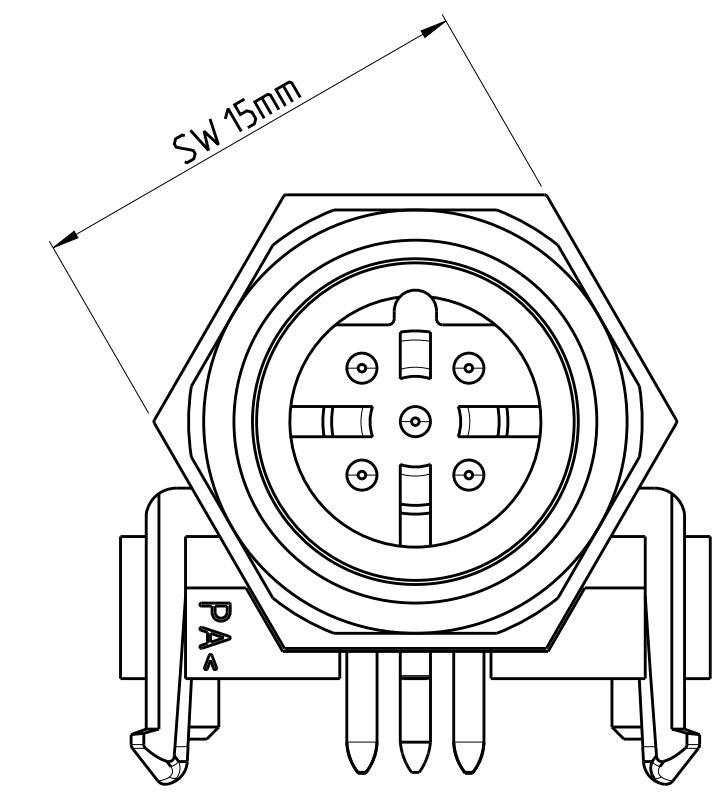
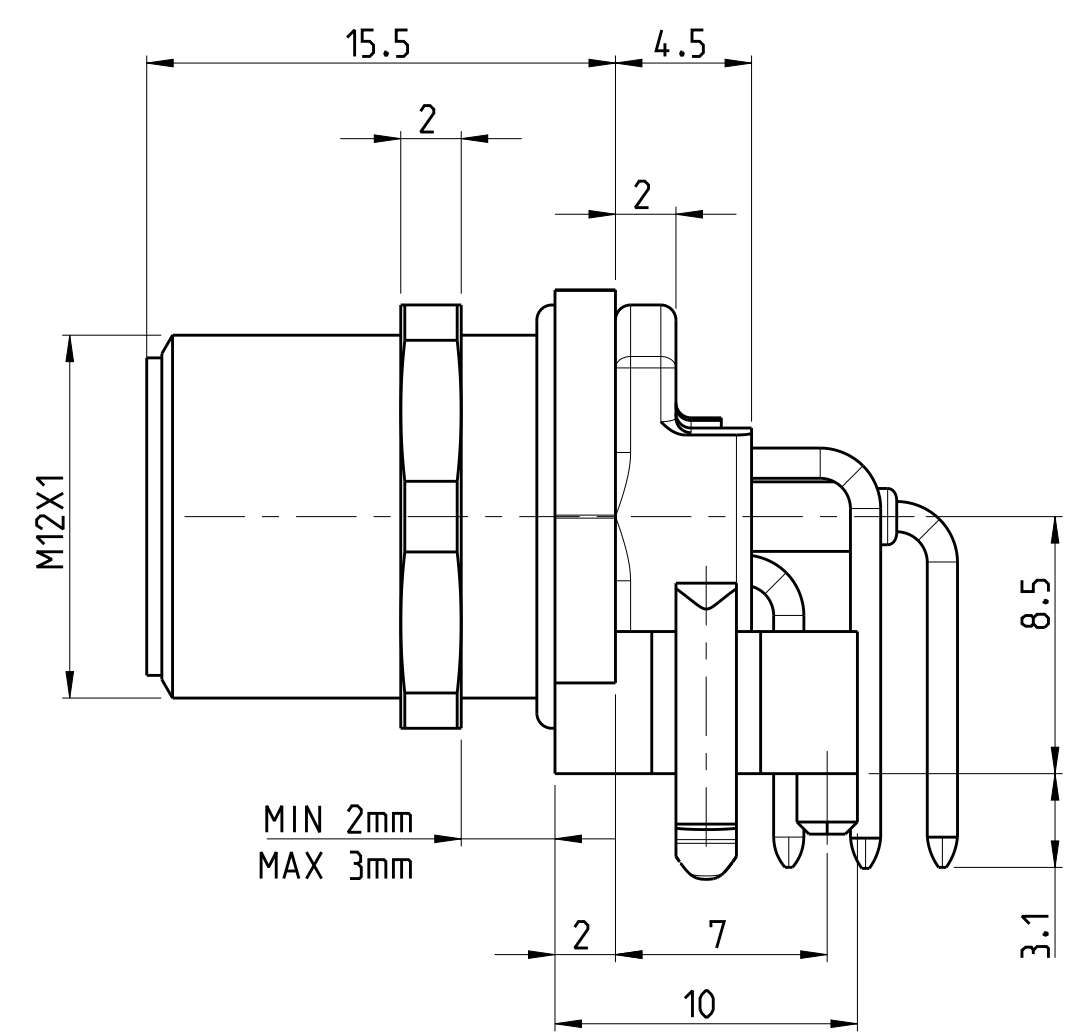
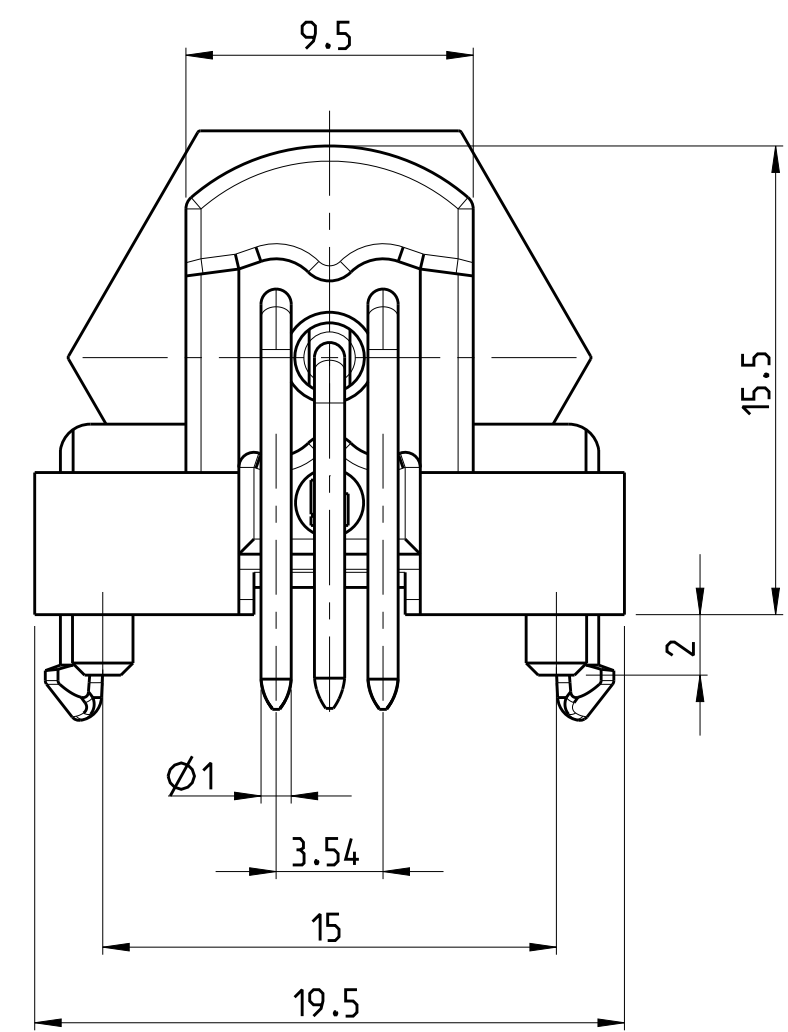
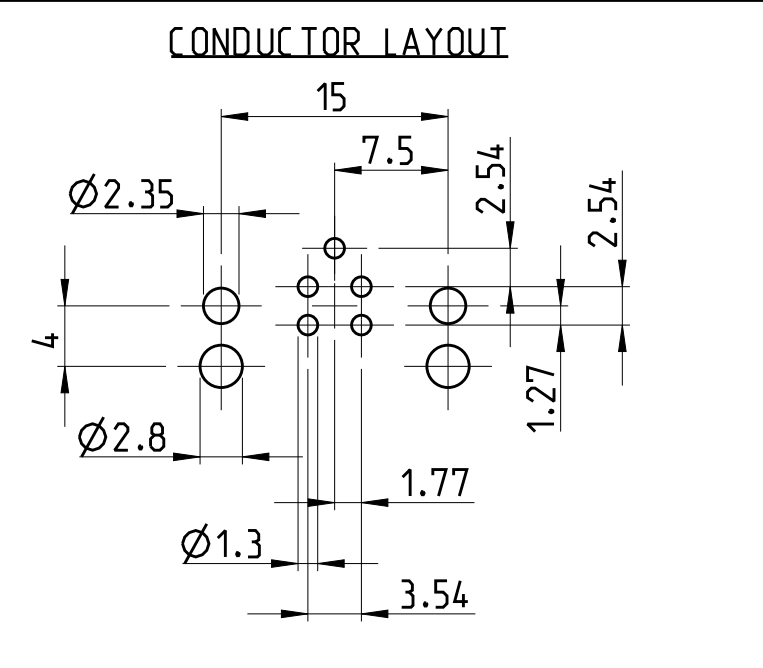


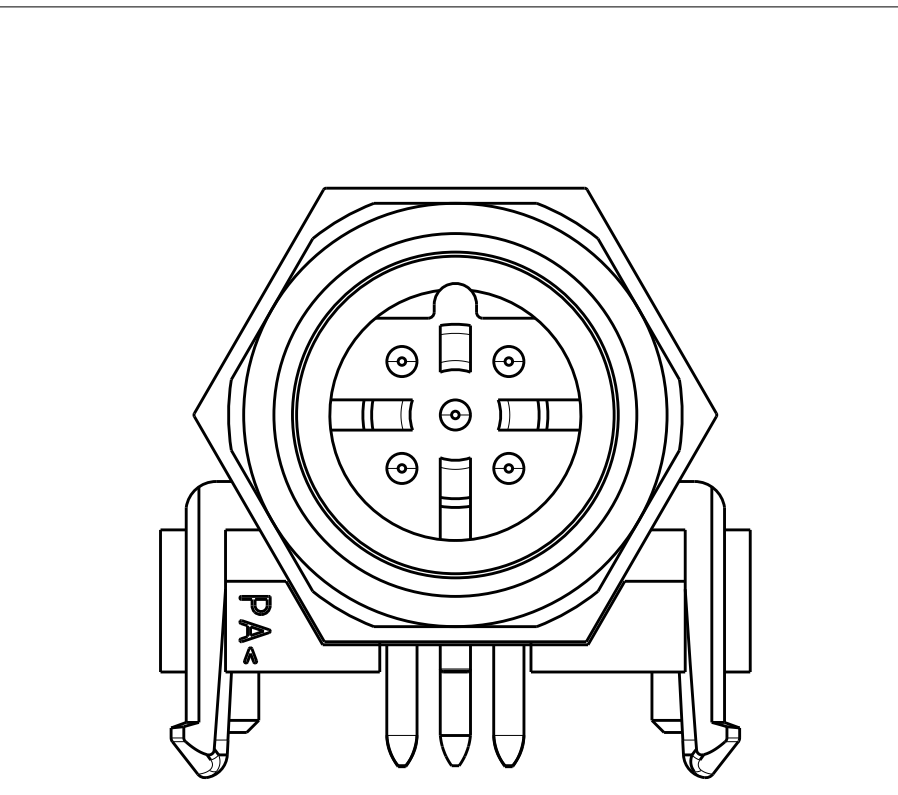
THIS DRAWING IS UNPUBLISHED. VERTRÄULICHE UNVERÖFFENTLICHTE ZEICHNUNG. RELEASED FOR PUBLICATION FREI FÜR VERÖFFENTLICHUNG. 2014. MATED WITH: PASSEND ZU: © COPYRIGHT 2014 Tyco Electronics AMP GmbH. ALL RIGHTS RESERVED. ALLE RECHTE VORBEHALTEN.

PROJEKT NR.: PRJ-11-000004377

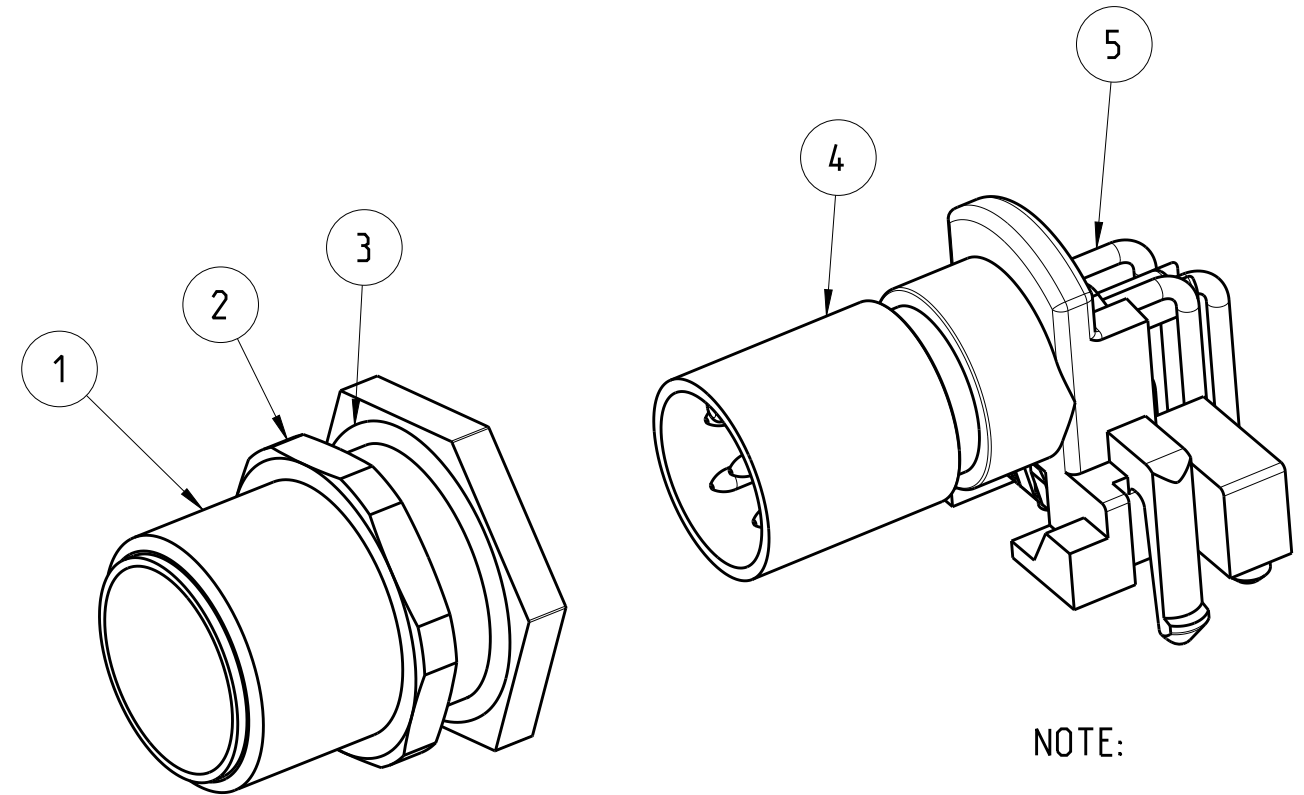
P	LTR	REVISIONS ÄNDERUNGEN DESCRIPTION BESCHREIBUNG	DATE	DWN	APVD
	A	NEW RELEASE	01DEC2014	CR	JK
	A1	ECR-20-005122	08APR2020	BP	CW



PIN ARRANGEMENT
B-CODING
4-2172082-2



TECHNICAL DATA		4-2172082-2
RATED VOLTAGE		125V
RATED IMPULSE VOLTAGE		1500V
POLLUTION DEGREE		3
OVERVOLTAGE CATEGORY		II
MATERIAL GROUP		II
RATED CURRENT		4A
VOLUME RESISTIVITY		≤ 3mΩ
DEGREE OF PROTECTION		IP67
UPPER TEMPERATURE		+85 °C
LOWER TEMPERATURE		+40 °C



ITEM	DESCRIPTION	MATERIAL	COMMENT
1	SHELL	CuZn	NICKEL PLATED
2	NUT	CuZn	NICKEL PLATED
3	O-RING	RUBBER	-
4	PLASTIC BODY	PA	-
5	CONTACT	CuZn	AU PLATED

NOTE:
1.THE COMPONENTS ITEM NO 1, 2, 3 ARE PACKAGE AS A SEPERATE HARDWARE.
2.ALL DIMENSIONS ARE FOR NOMINAL REFERENCE ONLY UNLESS OTHERW ISE STATED.

DIESE ZEICHNUNG IST EIN KONTROLLIERTES DOKUMENT. BEMASSUNGEN UND TOLERANZEN GEMAESS GPS (ISO STANDARDS).		DWN YASHKUMAR 12SEP2014	
THIS DRAWING IS A CONTROLLED DOCUMENT. DIMENSIONING AND TOLERANCING PER GPS (ISO STANDARDS).		CHK M. BRUBAKER 12SEP2014	
DIMENSIONS: MASSE/WEITEN: (MM)		APVD M. BRUBAKER 12SEP2014	
TOLERANCES UNLESS OTHERWISE SPECIFIED: ALLGEMEINTOLERANZEN		NAME M12 MALE CONNECTOR, PCB ASSEMBLY, ANGLED, UNSHIELDED, B-CODED	
0 PLC ±		PRODUCT SPEC 108-19483	
1 PLC ±		APPLICATION SPEC 114-32127	
2 PLC ±		WEIGHT -	
3 PLC ±		Customer Drawing	
4 PLC ±		/KUNDENZEICHNUNG	
ANGLES/WINKEL ±		SCALE MASSSTAB 2:1	
FINISH/OBERFLAECHE/FARBE		SHEET BLATT 1 OF 1	
		REV A1	

5	4-2172082-2
NUMBER OF POLES	TE-PART-NO.

STE TE Connectivity

SIZE A2	CAGE CODE 00779	DRAWING NO. ZEICHNUNGS-NR. C-2172082	RESTRICTED TO NUR FÜR -
---------	-----------------	--------------------------------------	-------------------------

SIZE ISO 14405 (E)