

THIS DRAWING IS UNPUBLISHED. VERTRÄULICHE UNVERÖFFENTLICHTE ZEICHNUNG. RELEASED FOR PUBLICATION FREI FÜR VERÖFFENTLICHUNG. 2014. MATED WITH: PASSEND ZU: ALL RIGHTS RESERVED. ALLE RECHTE VORBEHALTEN. Tycos Electronics AMP GmbH

PROJEKT NR.: PRJ-11-000004377

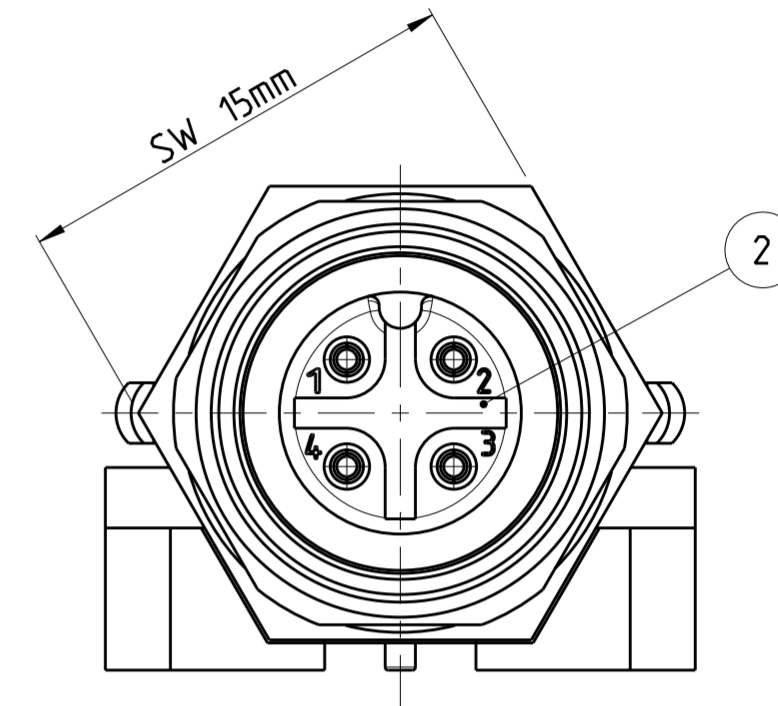
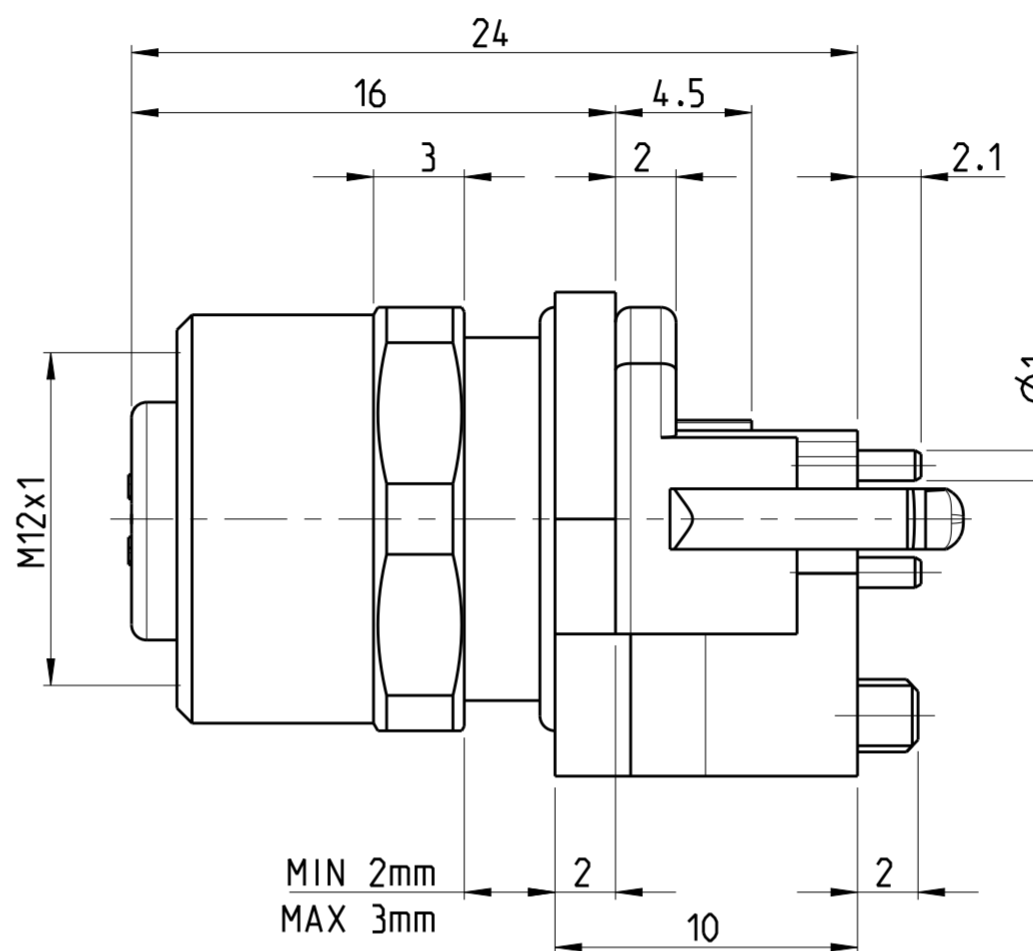
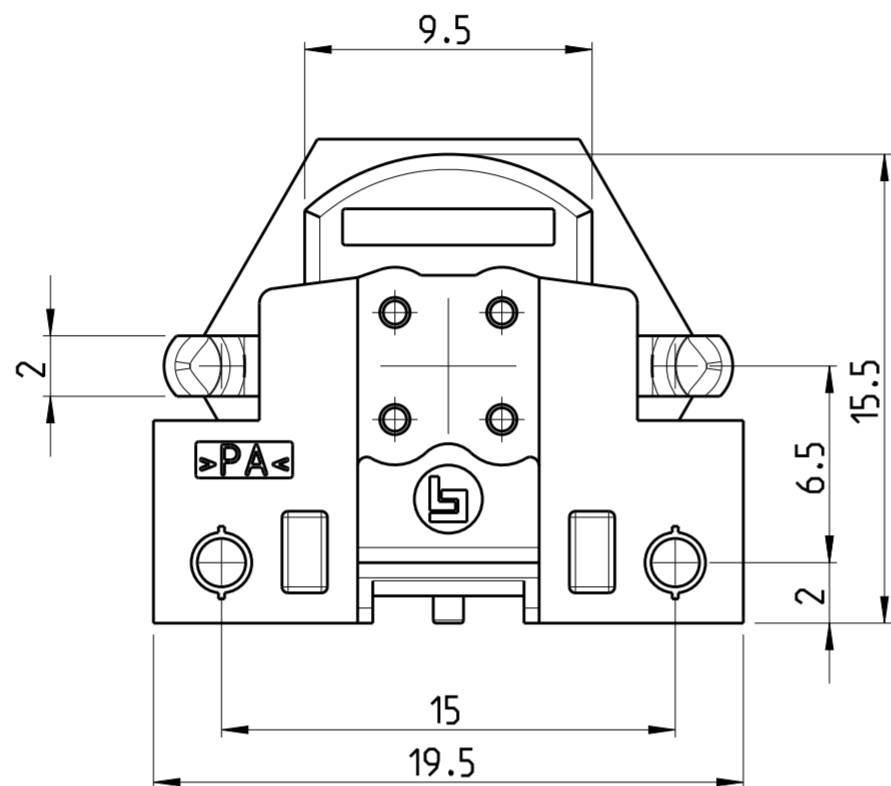
P	LTR	REVISIONS ÄNDERUNGEN DESCRIPTION BESCHREIBUNG	DATE	DWN	APVD
	A	NEW RELEASE	04DEC2014	TJ	PS
	A1	5-2172071-2 AND 3-2172071-2 MADE OBSOLETE	23SEP2017	TJ	NG

NOTES:

- 1 MATERIAL: ITEM NO. 1: HOUSING - CuZn (BRASS, NICKEL PLATED)
ITEM NO. 2: CONTACT BODY - PA
ITEM NO. 3: CONTACT - CuSn (BRONZE)
CONTACT FINISH - Au (GOLD)

2 ALL DIMENSIONS ARE FOR NOMINAL REFERENCE ONLY UNLESS OTHERWISE STATED

TECHNICAL DATA	3-2172071-2	4-2172071-2	5-2172071-2
RATED VOLTAGE	250V	125V	60V
RATED IMPULSE VOLTAGE	2500V	1500V	800V
POLLUTION DEGREE	3	3	3
OVERVOLTAGE CATEGORY	II	II	II
MATERIAL GROUP	III	III	III
RATED CURRENT	4A	4A	2A
VOLUME RESISTIVITY	≤ 3mΩ	≤ 3mΩ	≤ 3mΩ
DEGREE OF PROTECTION	IP68	IP68	IP68
UPPER TEMPERATURE	+85 °C	+85 °C	+85 °C
LOWER TEMPERATURE	-40 °C	+40 °C	+40 °C

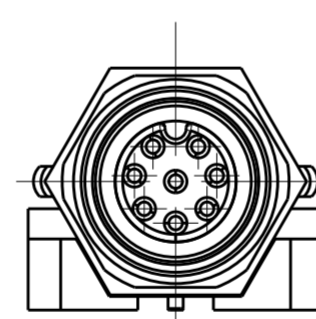
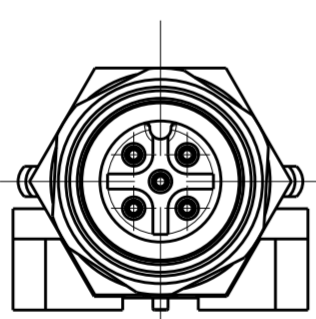
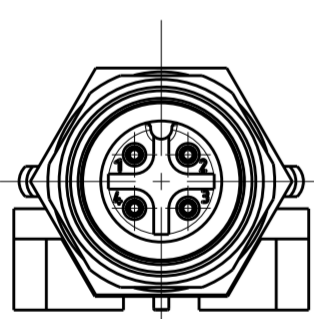


PIN ARRANGEMENT A-CODING (SCALE 2:1)

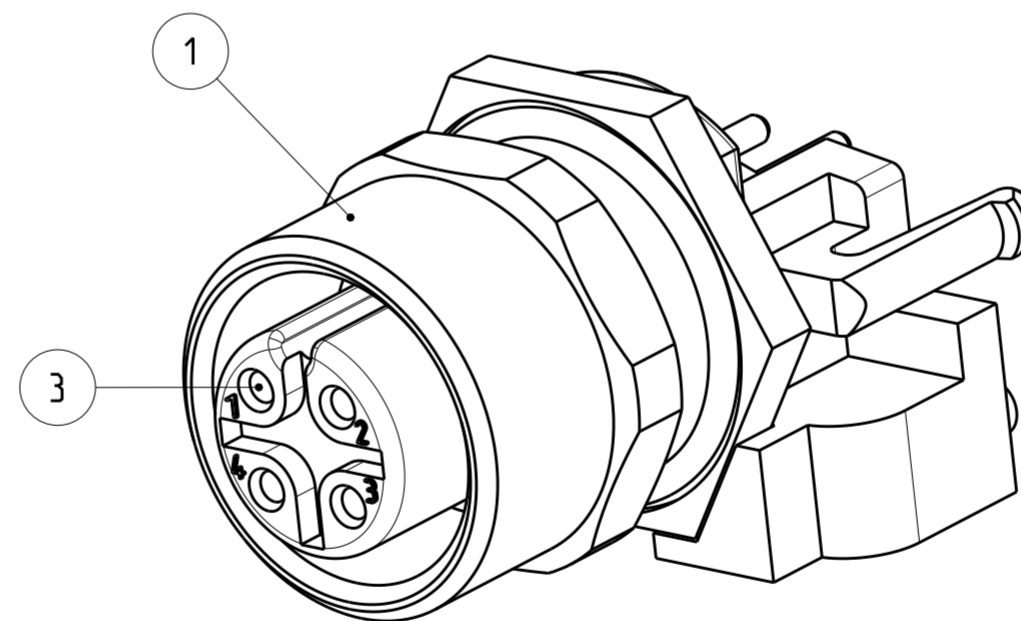
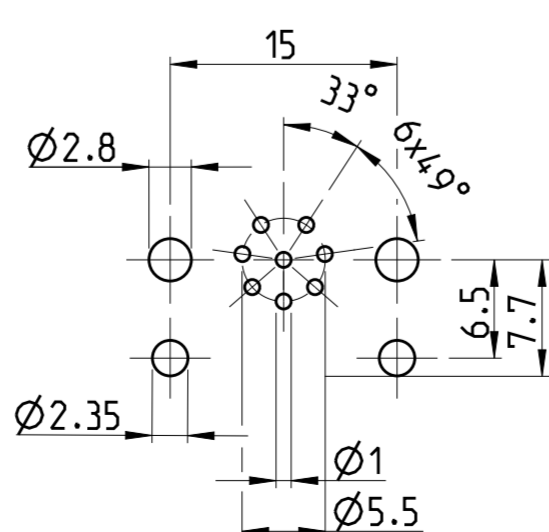
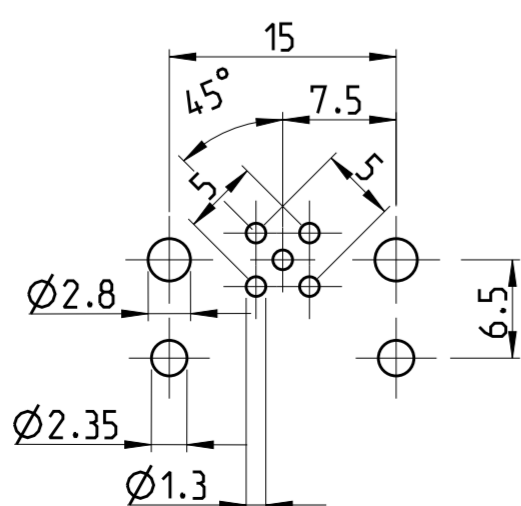
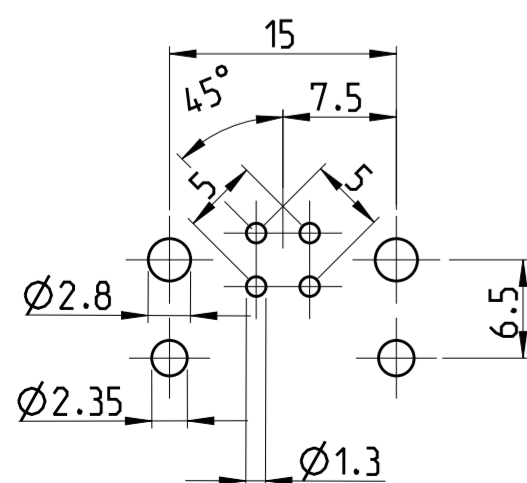
3-2172071-2

4-2172071-2

5-2172071-2



CONDUCTOR LAYOUT



SIZE ISO 14405 (E)

DIESE ZEICHNUNG IST EIN KONTROLLIERTES DOKUMENT. BEMASSUNGEN UND TOLERANZEN GEMAESS GPS (ISO STANDARDS).		DWN YASHKUMAR 24 JUL 2014
THIS DRAWING IS A CONTROLLED DOCUMENT. DIMENSIONING AND TOLERANCING PER GPS (ISO STANDARDS).		CHK M. BRUBAKER 24 JUL 2014
DIMENSIONS: MASSEINHEITEN: (MM)	TOLERANCES UNLESS OTHERWISE SPECIFIED: ALLGEMEINTOLERANZEN	APVD M. BRUBAKER 24 JUL 2014
	0 PLC ± 1 PLC ± 2 PLC ± 3 PLC ± 4 PLC ± ANGLES/WINKEL ± FINISH/OBERFLÄCHE/FARBE	NAME M. BRUBAKER
MATERIAL	SEE NOTES	PRODUCT SPEC 108-19483
SEE NOTES	SEE NOTES	APPLICATION SPEC 114-32127
		WEIGHT -
		Customer Drawing

⚠	8	5-2172071-2
⚠	5	4-2172071-2
⚠	4	3-2172071-2
MATERIAL	NUMBER OF POLES	TE-PART-NO.



M12 RECEPTACLE, PCB MOUNT STRAIGHT, A-CODED

SIZE A2	CAGE CODE 00779	DRAWING NO. ZEICHNUNGS-NR. C-2172071	RESTRICTED TO NUR FÜR -
SCALE MASSSTAB 4:1	SHEET BLATT 1	OF VON 1	REV A1