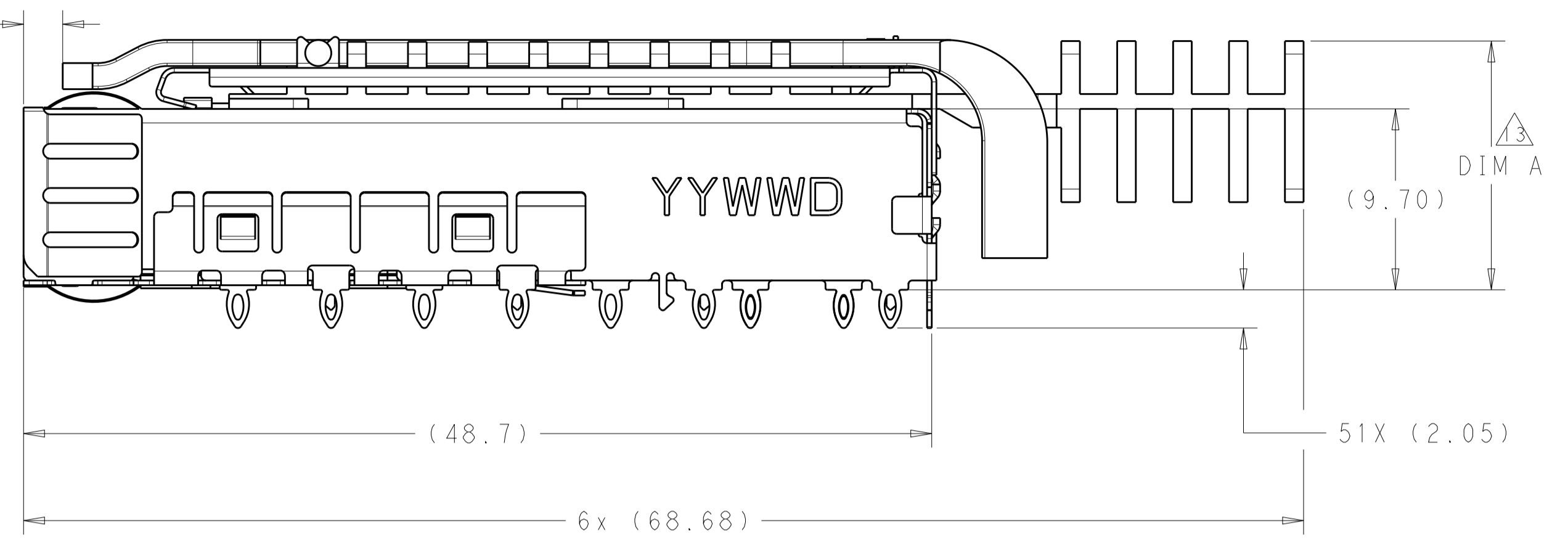
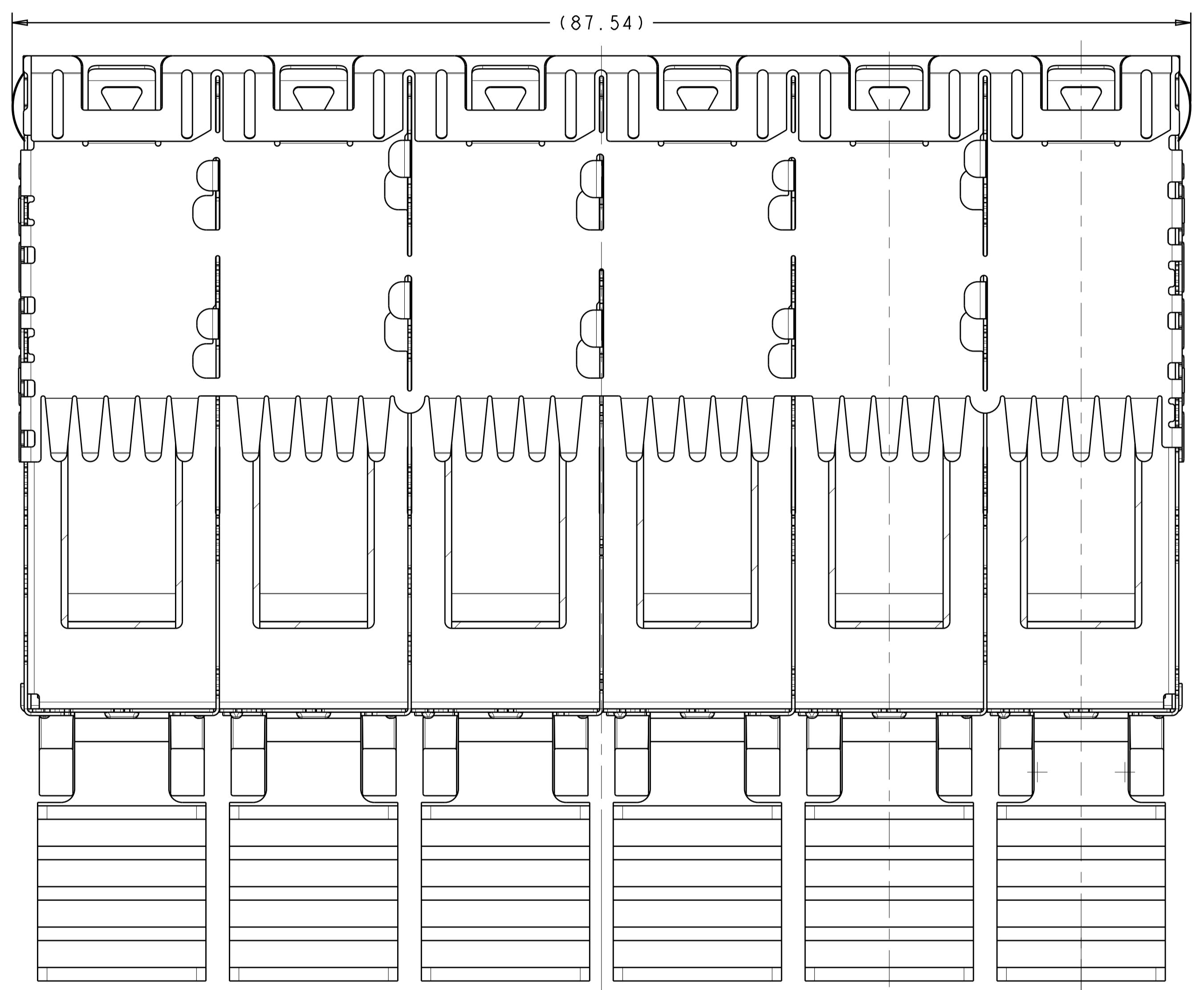
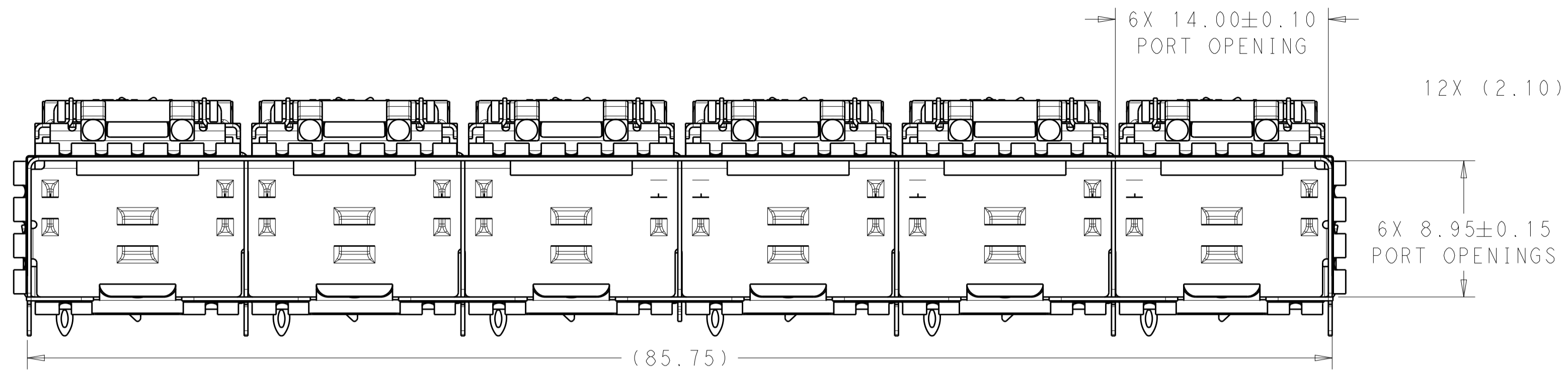
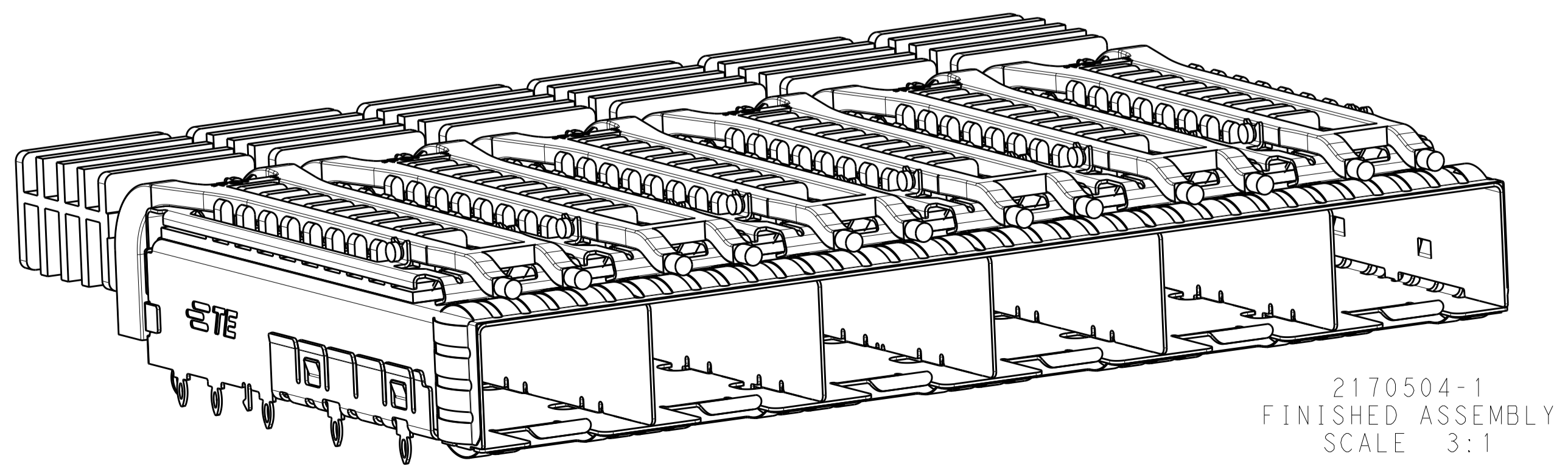


LOC	DIST	REVISIONS			
GP	00	REV	DATE	BY	CHK
		A	01MAR2016	JW	SH



- △ MATERIAL:  
CAGE ASSEMBLY: 0.25mm THICK NICKEL SILVER ALLOY.  
HEATSINK/LIGHTPIPE CLIP: STAINLESS STEEL  
LIGHT PIPE: POLYCARBONATE, CLEAR  
HEATSINK: ALUMINUM
- △ FINISH:  
SPRINGS: MINIMUM OF 0.8um TIN PLATE OVER A MINIMUM OF 0.8um NICKEL UNDERPLATE.  
NON-PLATED EDGES PERMISSIBLE.  
HEATSINK/LIGHTPIPE CLIP: PASSIVATE  
HEATSINK: ANODIZED BLACK
- 3. MATES WITH SFP MSA COMPLIANT TRANSCEIVERS.
- △ PADS AND VIAS CHASSIS GROUND.
- 5. INTERPRETATION OF DATUM REFERENCE FRAME IN ACCORDANCE WITH SECT 4.4.1.1 OF ASME Y14.5M-1994.
- △ MINIMUM PCB BOARD THICKNESS:  
SINGLE SIDED = 1.50mm  
DOUBLE SIDED = 2.25mm
- △ HOLE PATTERN REPEATS FOR EACH PORT. SPACING BETWEEN PORTS IS 14.25mm.
- △ DATUM AND BASIC DIMENSION ESTABLISHED BY CUSTOMER.
- △ REFERENCE APPLICATION SPEC. 114-13120, HOLE A, FOR RECOMMENDED DRILL HOLE DIAMETER AND PLATING THICKNESS.
- △ REFERENCE APPLICATION SPEC. 114-13120, HOLE B, FOR RECOMMENDED DRILL HOLE DIAMETER AND PLATING THICKNESS.
- 11. CERTAIN MATING TRANCEIVERS MAY REQUIRE ADDITIONAL PCB THICKNESS THAT WOULD BE DETERMINED BY THE CUSTOMER.
- 12. PRODUCT COMPLIES WITH SPECIFICATION SFF-8433 IMPROVED PLUGGABLE FORM FACTOR FOR SFP+ GANGED CAGES.
- △ DIMENSION APPLIES AFTERWARDS INSERTION OF SFP MODULE.
- △ PACKAGED AS A COMPLETE ASSEMBLY.

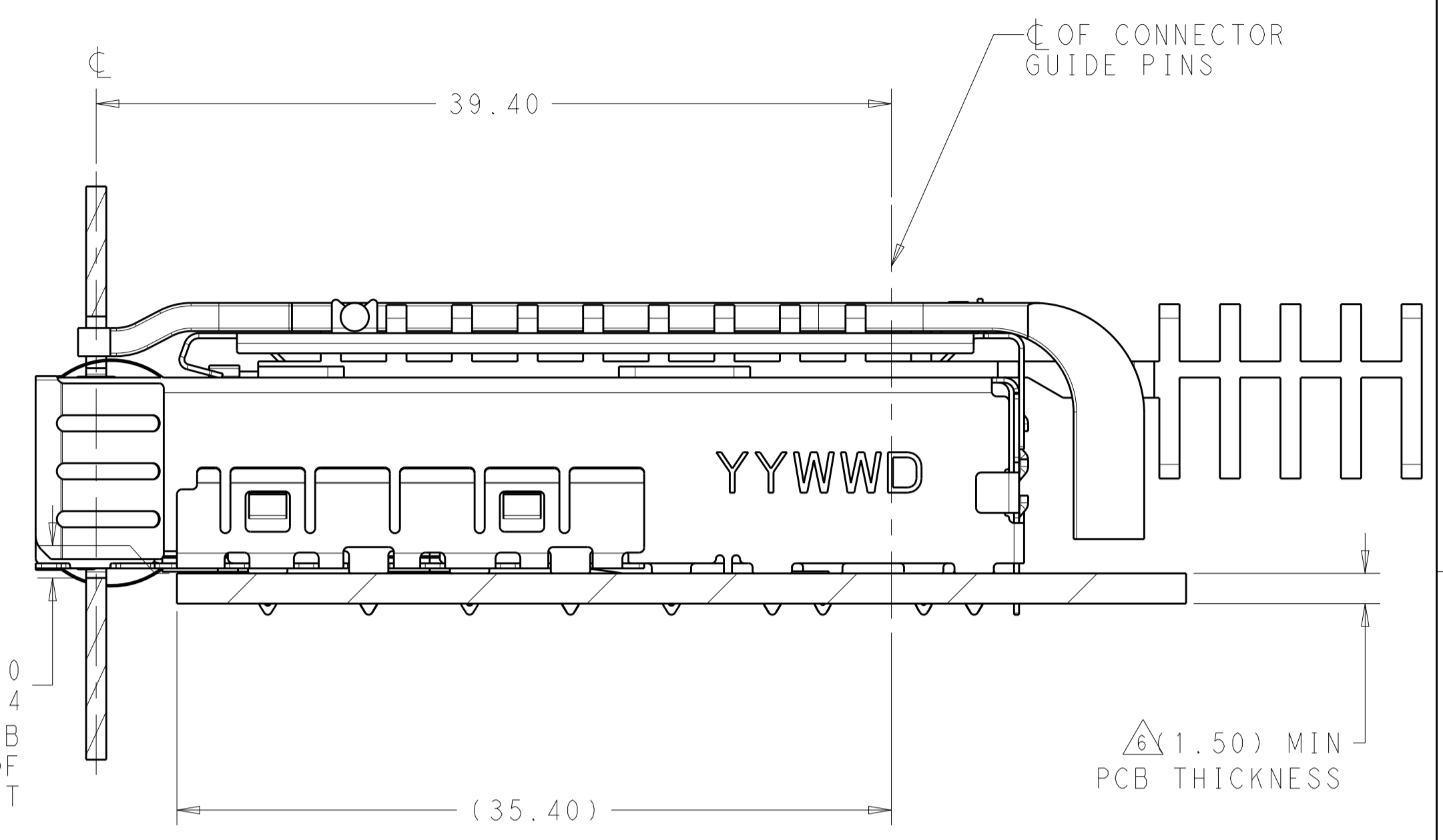
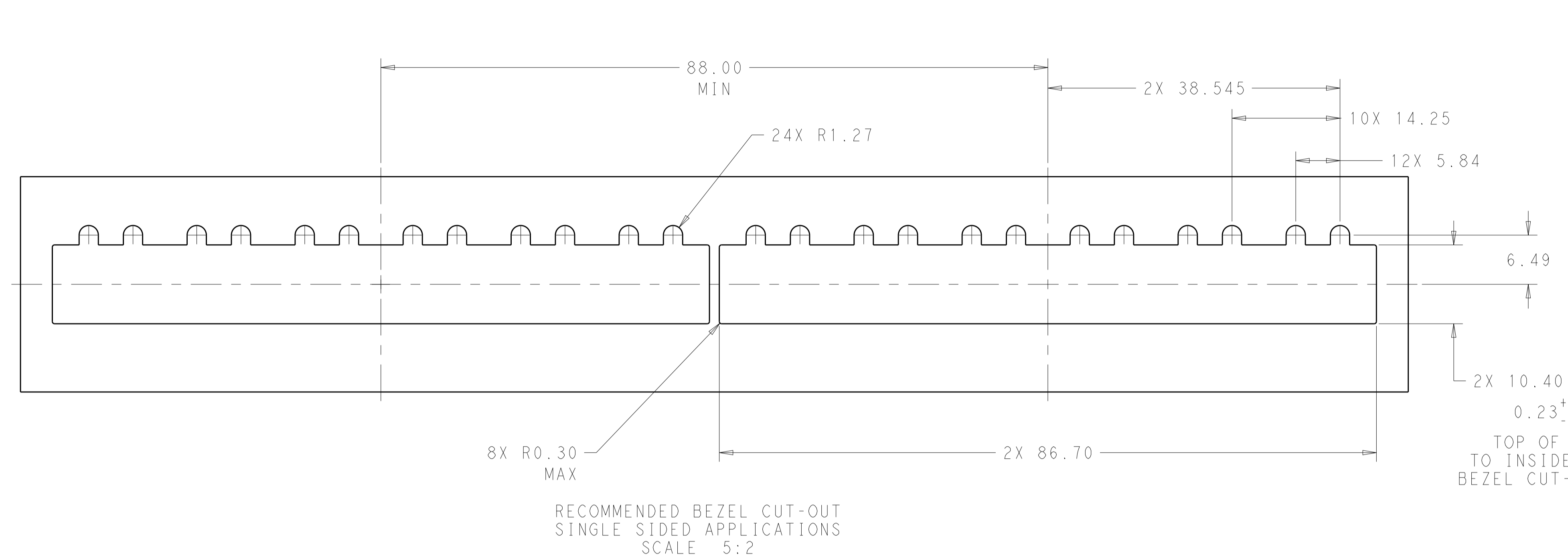


2170504-1  
FINISHED ASSEMBLY  
SCALE 3:1

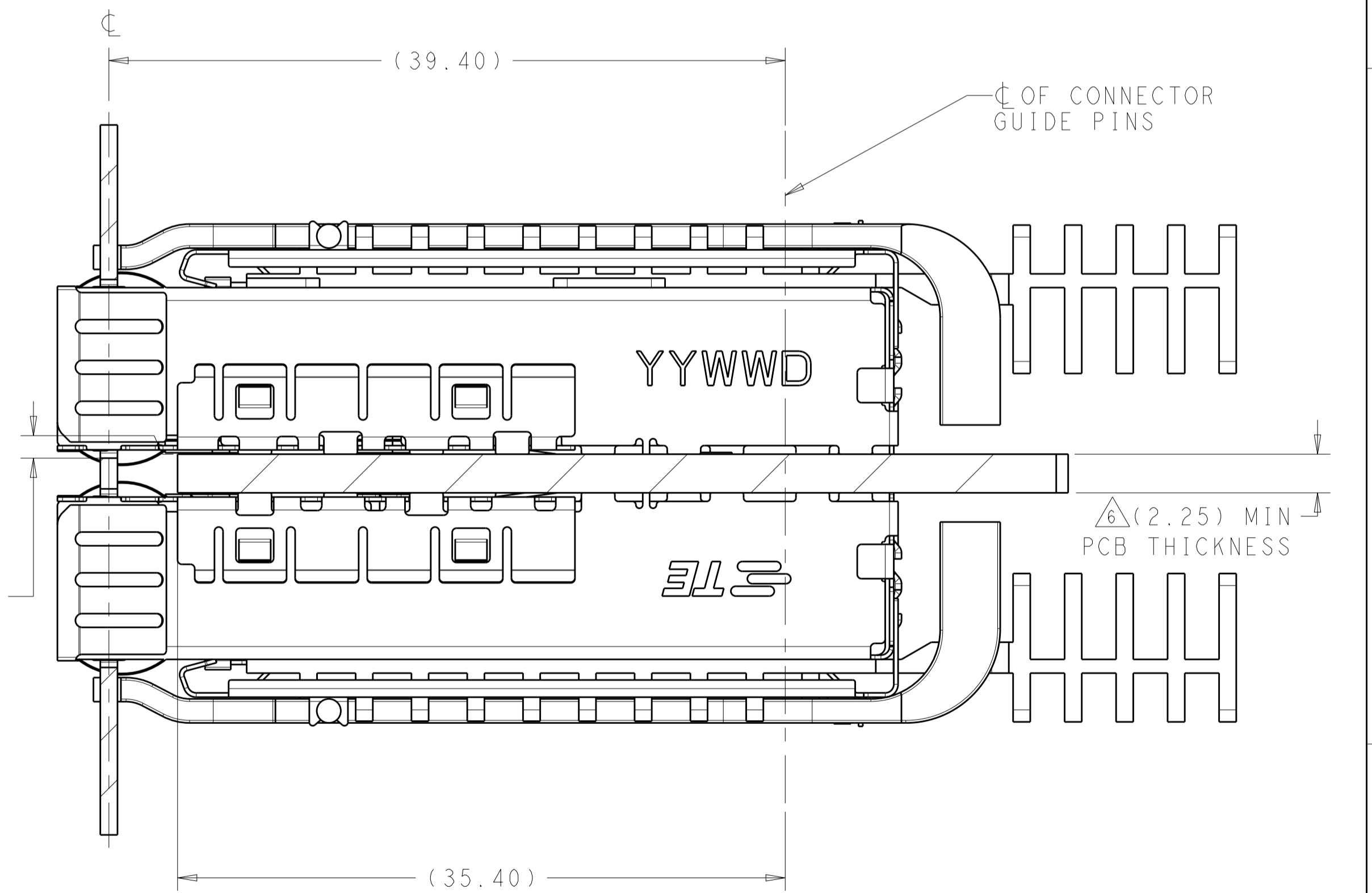
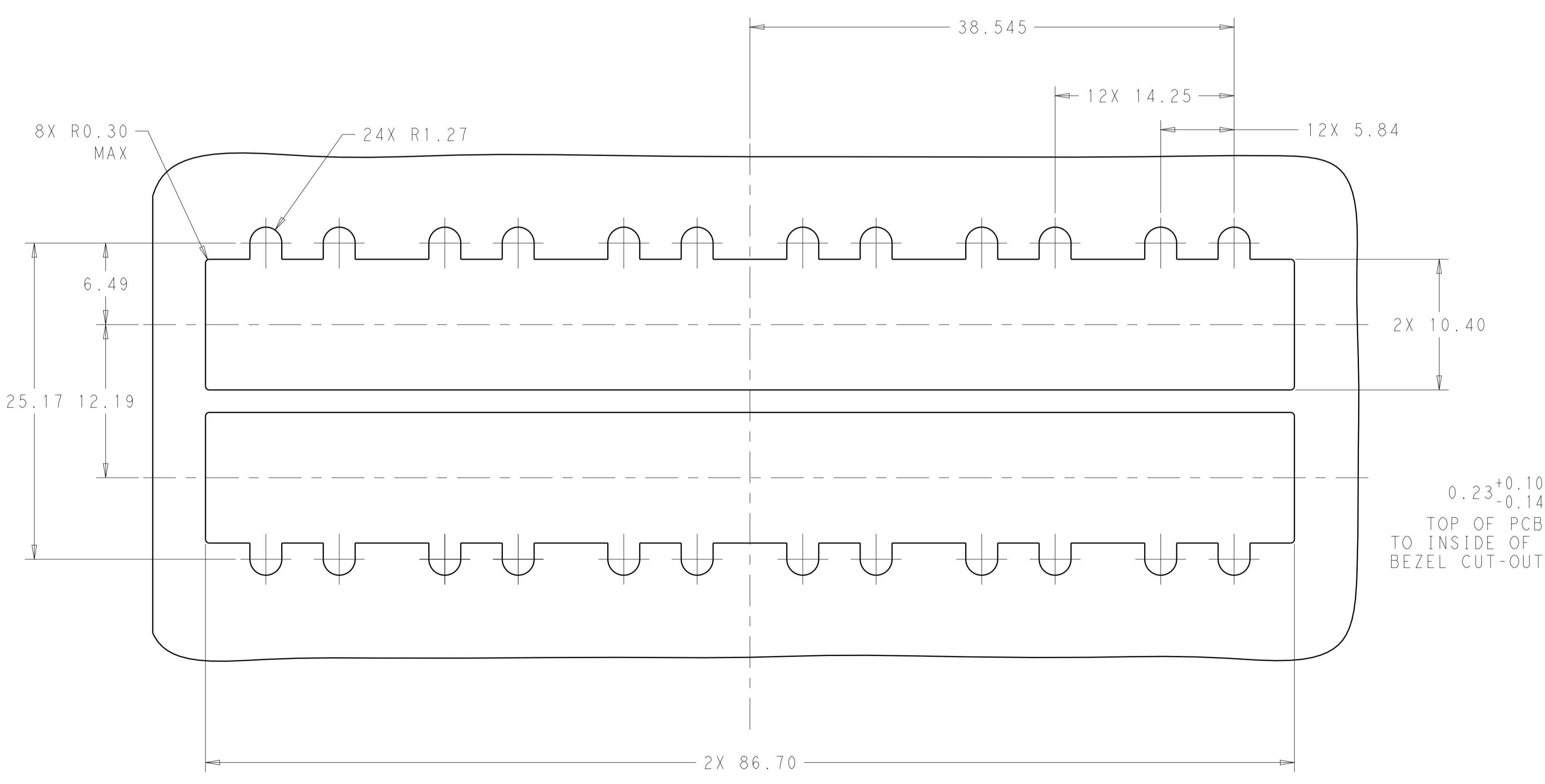
14.20 MAX	2170504-1
DIM A	PART NUMBER

THIS DRAWING IS A CONTROLLED DOCUMENT.		OWN: PETER PAN 01-Mar-16	TE Connectivity
DIMENSIONS: mm		CHK: SEAN HAN 01-Mar-16	
TOLERANCES UNLESS OTHERWISE SPECIFIED:		APVD: SEAN HAN 01-Mar-16	NAME: SFP+ ENHANCED 1X6 CAGE ASSEMBLY, PRESS FIT, EXTERNAL EMI SPRINGS WITH HEATSINK AND LIGHTPIPE PRODUCT SPEC: 108-2364 APPLICATION SPEC: 114-13120
0 PLC ±0.20 1 PLC ±0.15 2 PLC ±0.10 3 PLC ±0.10 4 PLC ±0.1 ANGLES ±0.1°		SIZE: 114-13120 WEIGHT: - CUSTOMER DRAWING	
MATERIAL: △		FINISH: △	A100779C=2170504 SCALE: 4:1 SHEET 1 OF 4 REV A

LOC		DIST		REVISIONS			
GP	00	P	LTN	DESCRIPTION	DATE	DMN	APVD
-	-	-	-	SEE SHEET 1	-	-	-



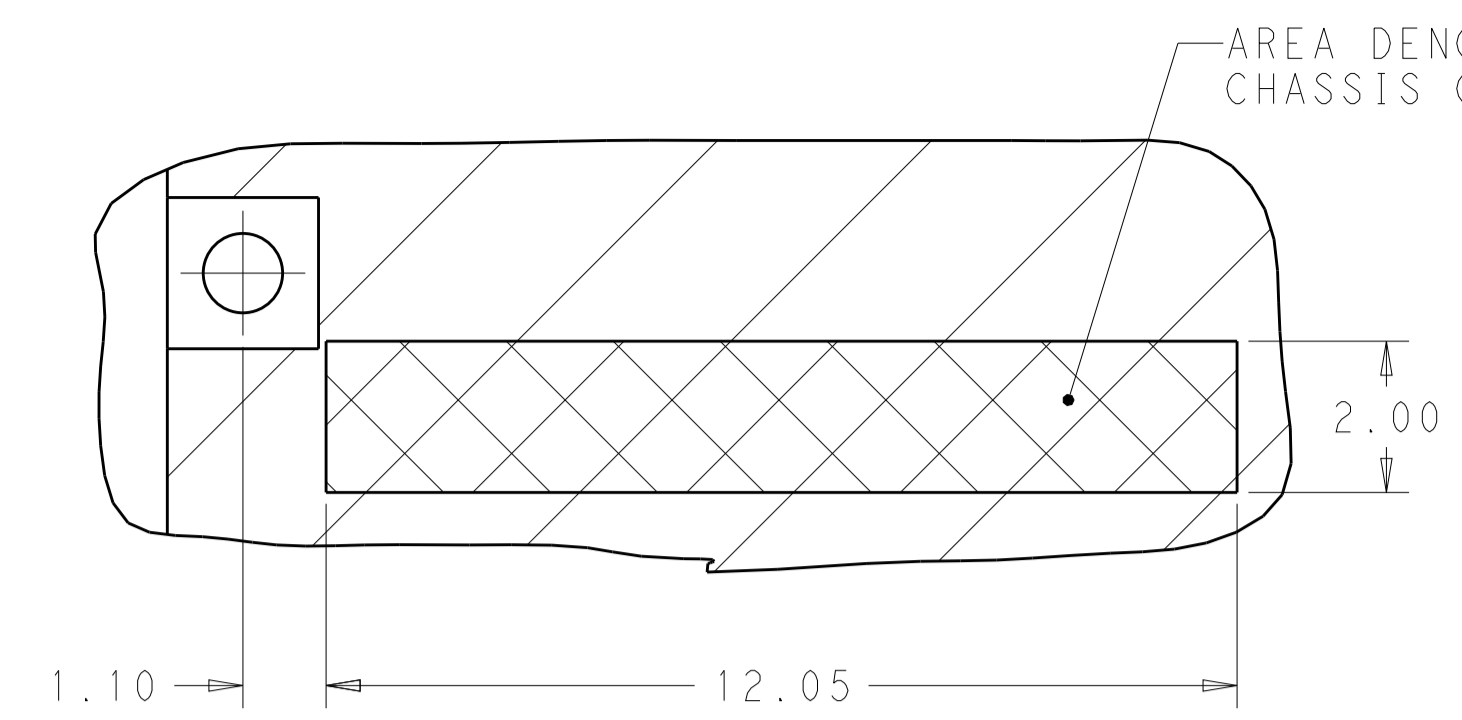
2170504-1  
MOUNTED ON PC BOARD  
SHOWN THRU RECOMMENDED BEZEL



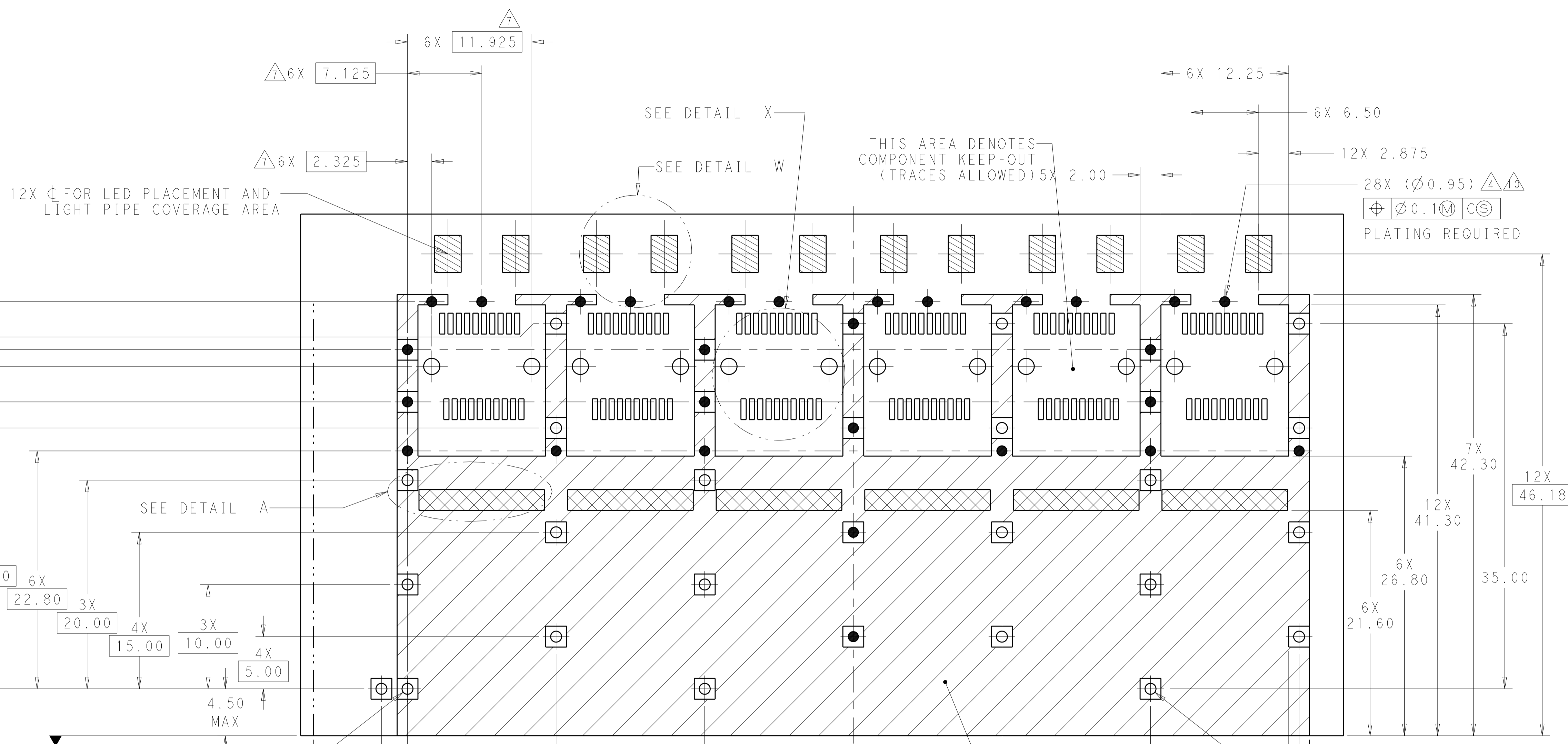
2170504-1  
MOUNTED BELLY TO BELLY ON PC BOARD  
SHOWN THRU RECOMMENDED BEZEL

THIS DRAWING IS A CONTROLLED DOCUMENT.		DMN: PETER PAN 01-Mar-16	<b>STE</b> TE Connectivity
DIMENSIONS: mm		CHK: SEAN HAN 01-Mar-16	
TOLERANCES UNLESS OTHERWISE SPECIFIED:		APVD: SEAN HAN 01-Mar-16	NAME: SFP+ ENHANCED 1X6 CAGE ASSEMBLY, PRESS FIT, EXTERNAL EMI SPRINGS WITH HEATSINK AND LIGHTPIPE
0 PLC ±0.20		PRODUCT SPEC: 108-2364	
1 PLC ±0.15		APPLICATION SPEC: 114-13120	SIZE: A1 CAGE CODE: 00779 DRAWING NO: 2170504
2 PLC ±0.10		WEIGHT: -	
3 PLC ±0.10		CUSTOMER DRAWING	RESTRICTED TO: -
4 PLC ±0.1		SCALE: 4:1	SHEET 2 OF 4
ANGLES ±0.1		FINISH: *	REV: A

LOC		DIST		REVISIONS			
GP	00	P.	LTH.	DESCRIPTION	DATE	OWN	APVD
		-	-	SEE SHEET 1	-	-	-

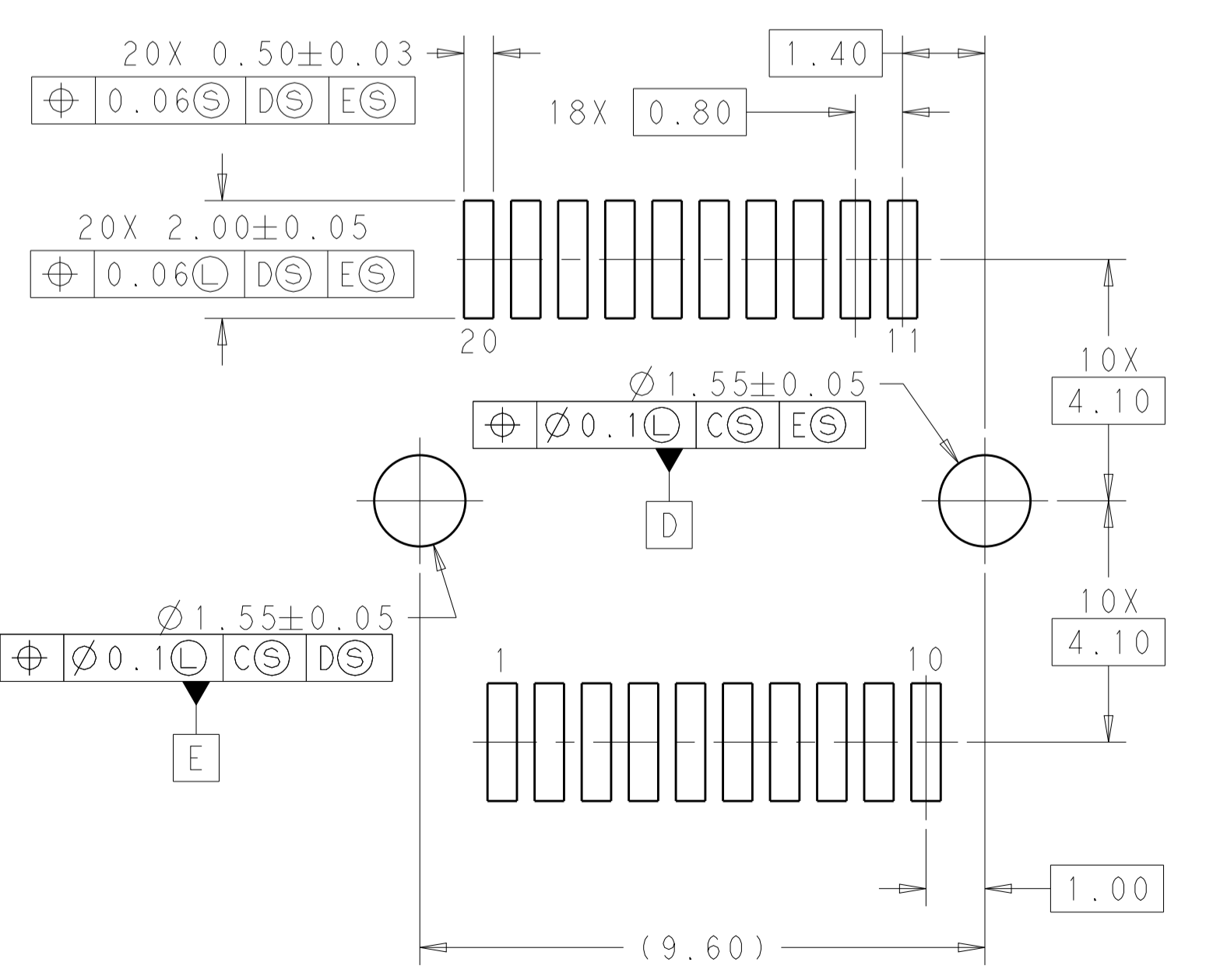


DETAIL A  
6X INDIVIDUALLY  
SCALE 10:1

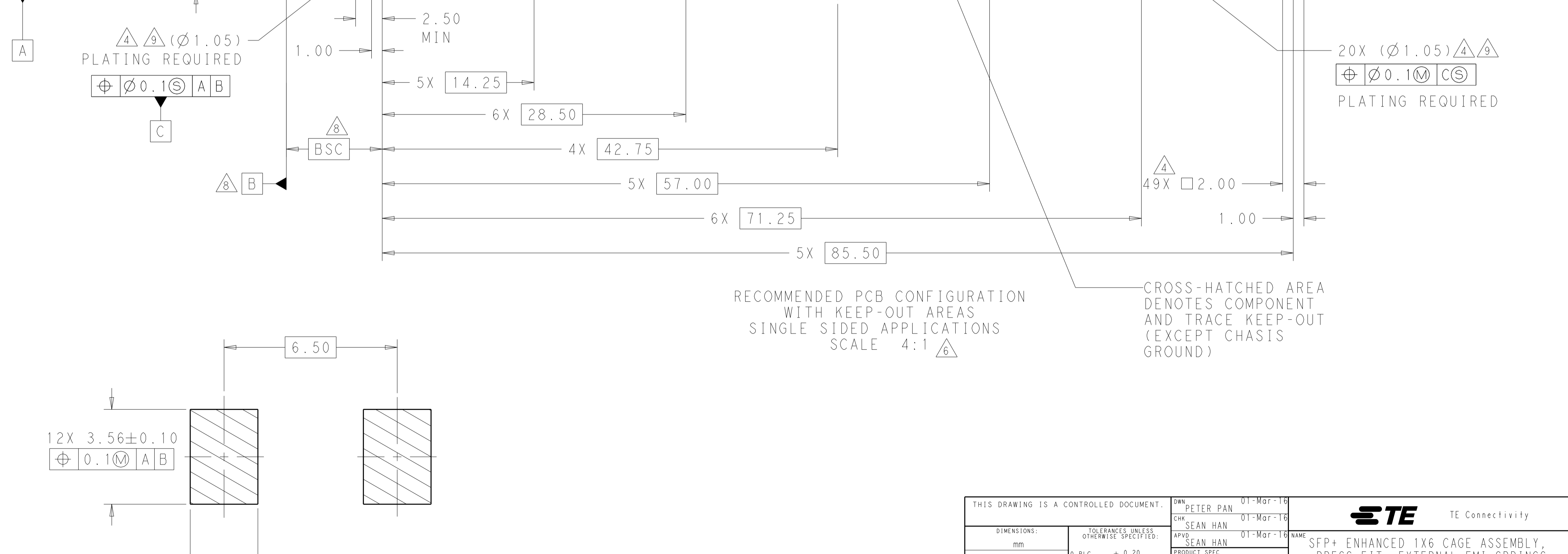


12X FOR LED PLACEMENT AND LIGHT PIPE COVERAGE AREA

THIS AREA DENOTES COMPONENT KEEP-OUT (TRACES ALLOWED) 5X 2.00  
 PLATING REQUIRED



DETAIL X  
RECOMMENDED PT CONNECTOR LAYOUT  
6X INDIVIDUALLY  
SCALE 10:1



DETAIL W  
SCALE 10:1

RECOMMENDED PCB CONFIGURATION WITH KEEP-OUT AREAS SINGLE SIDED APPLICATIONS SCALE 4:1

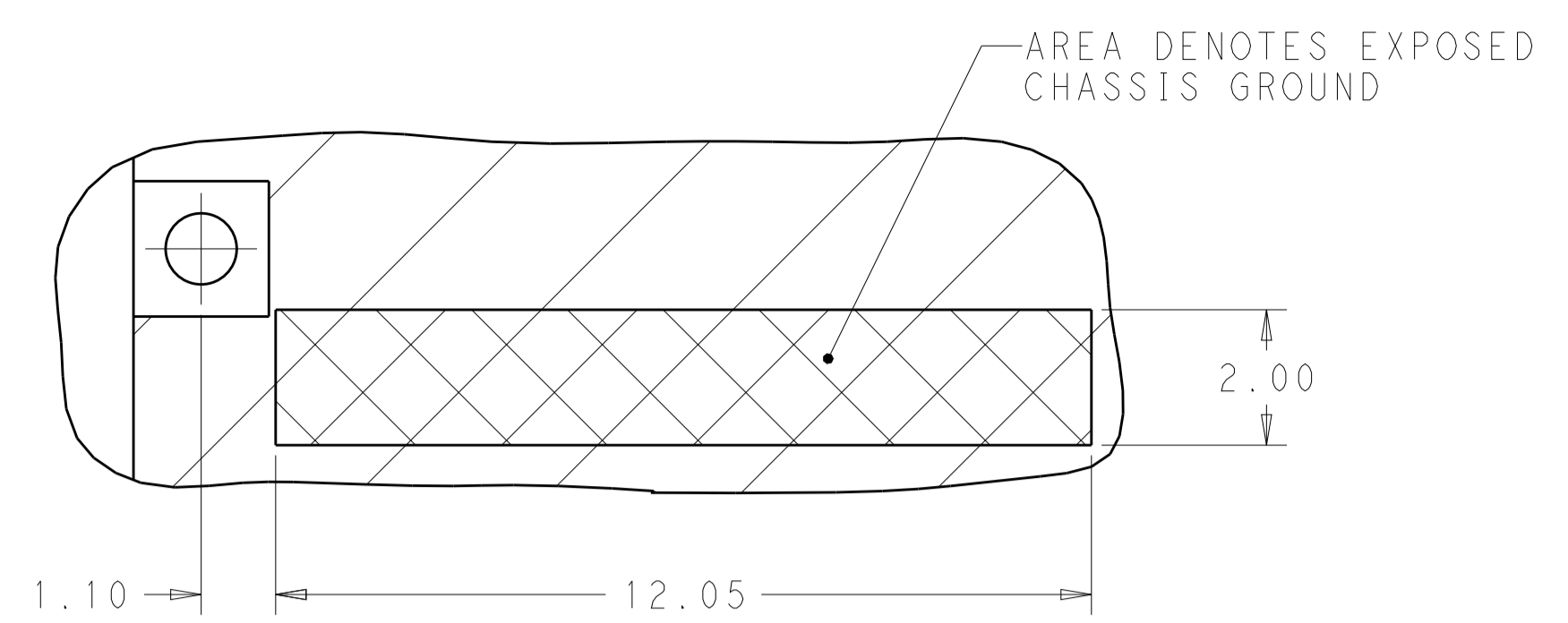
CROSS-HATCHED AREA DENOTES COMPONENT AND TRACE KEEP-OUT (EXCEPT CHASSIS GROUND)

THIS DRAWING IS A CONTROLLED DOCUMENT.		DWG PETER PAN 01-Mgr-16	TE Connectivity
DIMENSIONS: mm		CHK SEAN HAN 01-Mgr-16	
TOLERANCES UNLESS OTHERWISE SPECIFIED:		APVD SEAN HAN 01-Mgr-16	SFP+ ENHANCED 1X6 CAGE ASSEMBLY, PRESS FIT, EXTERNAL EMI SPRINGS WITH HEATSINK AND LIGHTPIPE PRODUCT SPEC 108-2364 APPLICATION SPEC 114-13120 WEIGHT - CUSTOMER DRAWING
0 PLC ± 0.20 1 PLC ± 0.15 2 PLC ± 0.10 3 PLC ± 0.10 4 PLC ± 0.1 ANGLES ± 5°		NAME	
MATERIAL  FINISH		SIZE	
		CAGE CODE	
		DRAWING NO	
		RESTRICTED TO	
		SCALE 4:1 SHEET 3 OF 4 REV A	

LOC	DIST	REV	DATE	BY	APPD
GP	00				

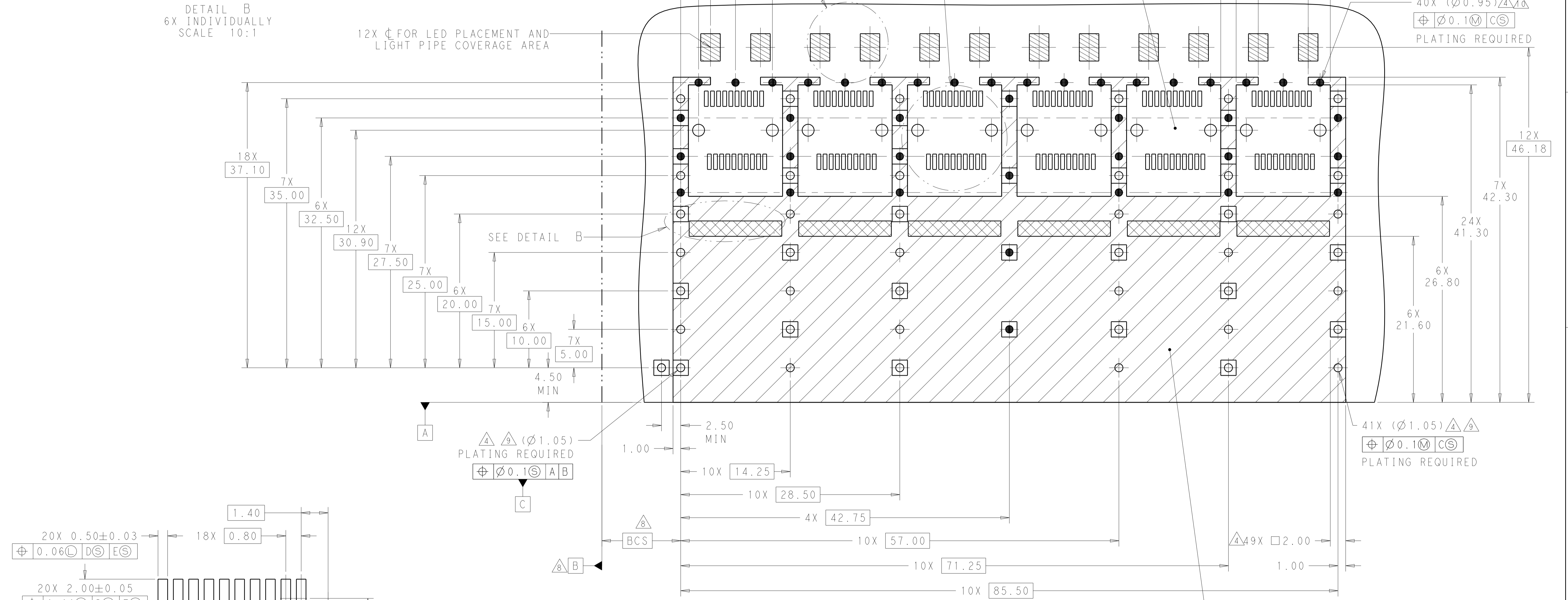
  

REVISIONS			
NO.	DESCRIPTION	DATE	BY
-	SEE SHEET 1	-	-



DETAIL B  
6X INDIVIDUALLY  
SCALE 10:1

12X  $\phi$  FOR LED PLACEMENT AND LIGHT PIPE COVERAGE AREA

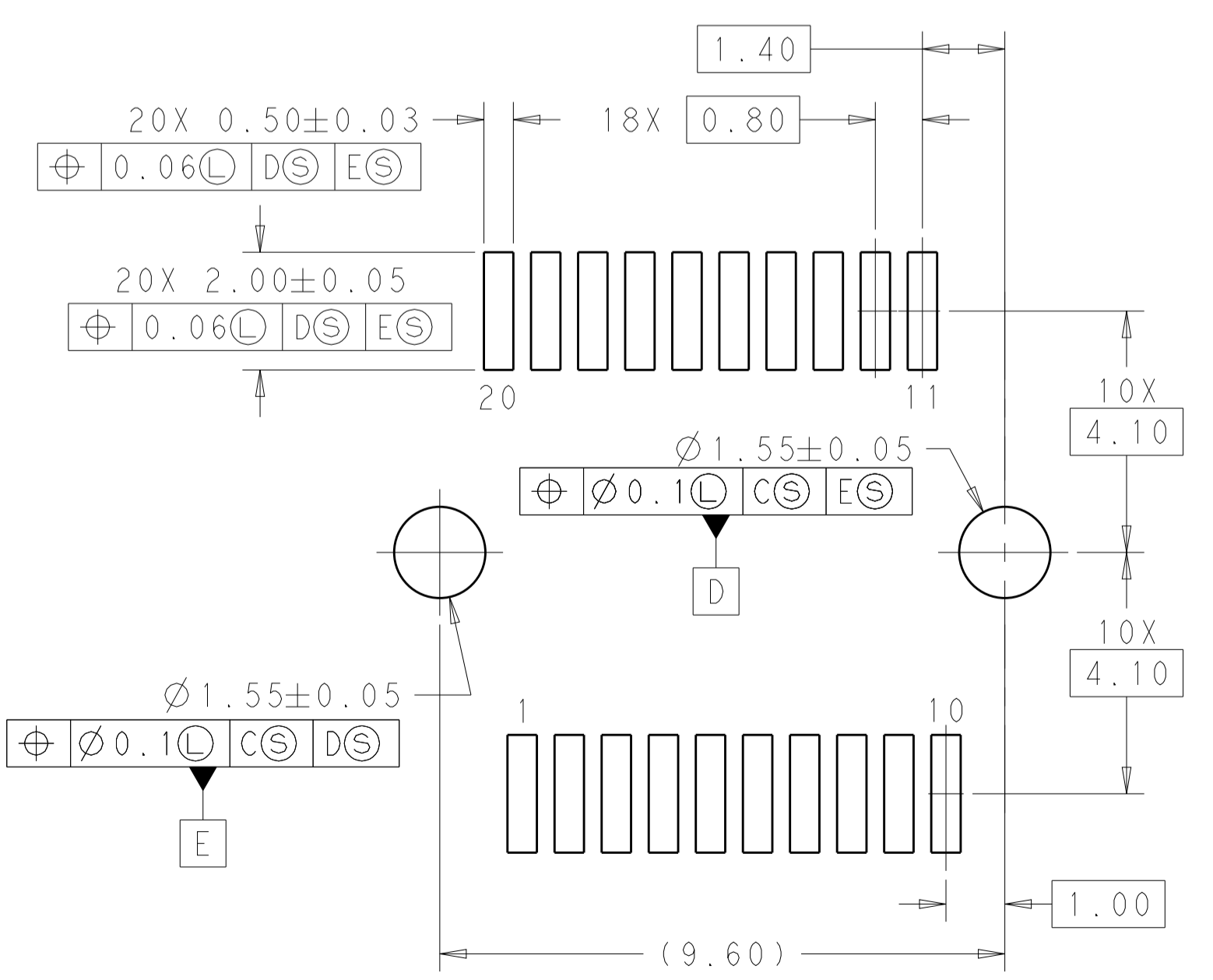


4 9 ( $\phi 1.05$ )  
PLATING REQUIRED  
 $\phi 0.1$  A B

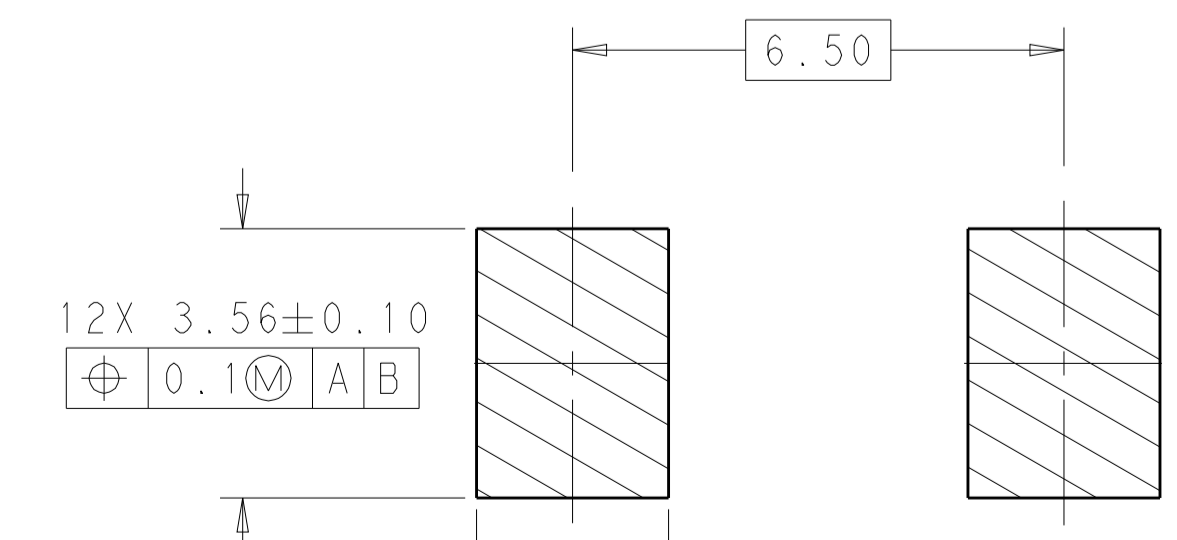
41X ( $\phi 1.05$ )  
PLATING REQUIRED  
 $\phi 0.1$  C S

RECOMMENDED PCB CONFIGURATION WITH KEEP-OUT AREAS BELLY TO BELLY APPLICATIONS SCALE 4:1

CROSS-HATCHED AREA DENOTES COMPONENT AND TRACE KEEP-OUT (EXCEPT CHASSIS GROUND)



DETAIL Y  
RECOMMENDED PT CONNECTOR LAYOUT  
12X INDIVIDUALLY  
SCALE 10:1



DETAIL Z  
SCALE 10:1

THIS DRAWING IS A CONTROLLED DOCUMENT.		CHK PETER PAN 01-Mgr-16	TE Connectivity
DIMENSIONS: mm		CHK SEAN HAN 01-Mgr-16	
TOLERANCES UNLESS OTHERWISE SPECIFIED:		APPD SEAN HAN 01-Mgr-16	SFP+ ENHANCED 1X6 CAGE ASSEMBLY, PRESS FIT, EXTERNAL EMI SPRINGS WITH HEATSINK AND LIGHTPIPE
0 PLC $\pm 0.20$		PRODUCT SPEC	
1 PLC $\pm 0.15$		108-2364	SIZE CAGE CODE DRAWING NO RESTRICTED TO A1 00779C= 2170504
2 PLC $\pm 0.10$		APPLICATION SPEC	
3 PLC $\pm 0.10$		114-13120	CUSTOMER DRAWING SCALE 4:1 SHEET 4 OF 4 REV A
4 PLC $\pm 0.1$		WEIGHT	
ANGLES $\pm 0.1$		FINISH	