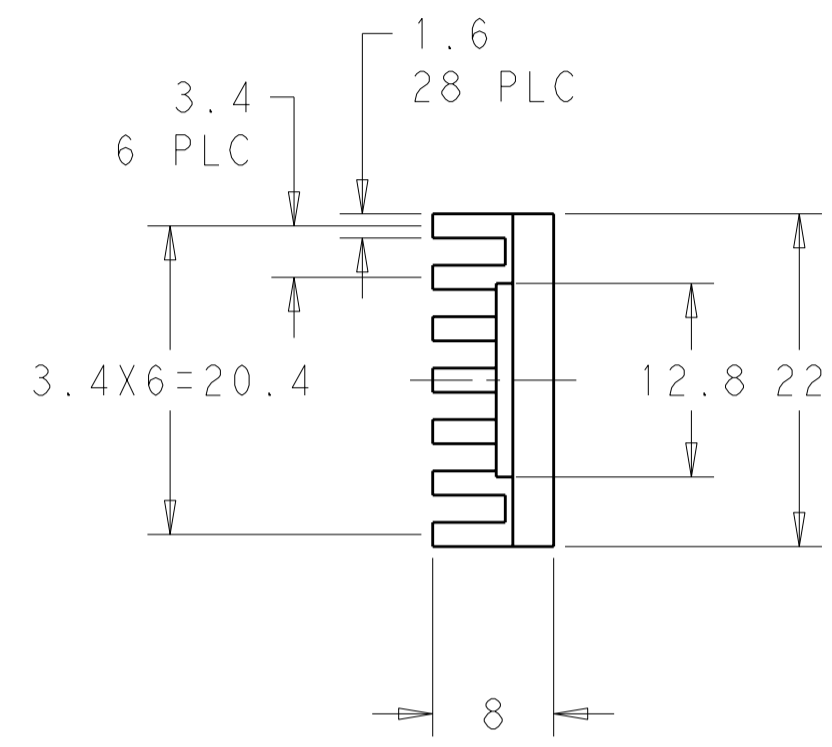
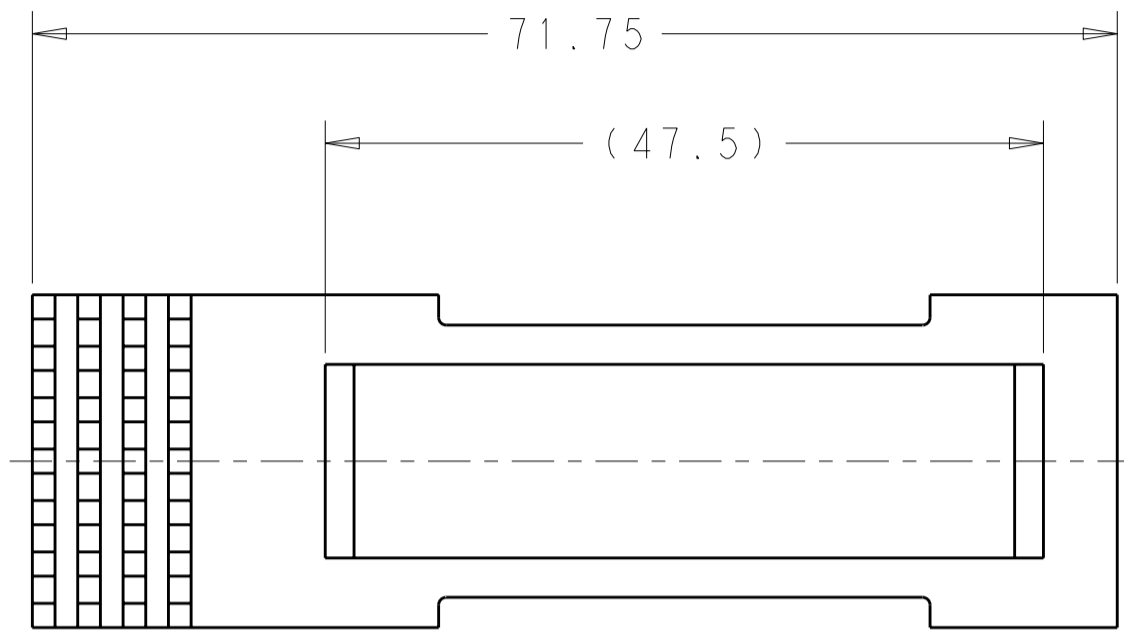
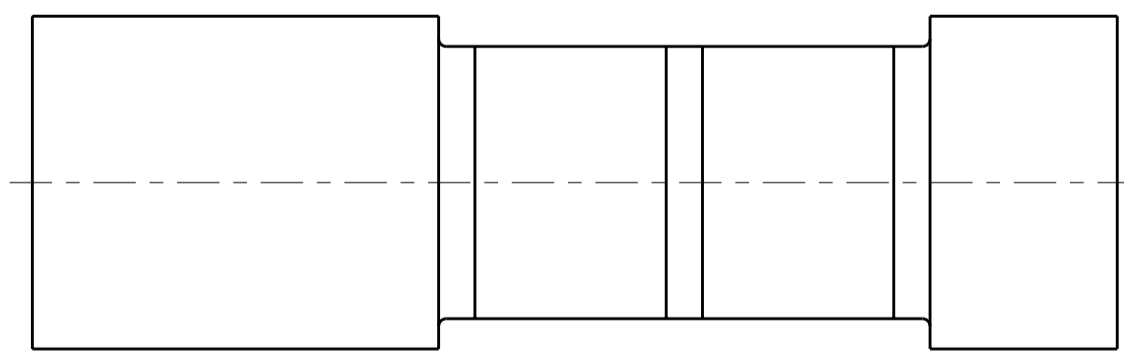
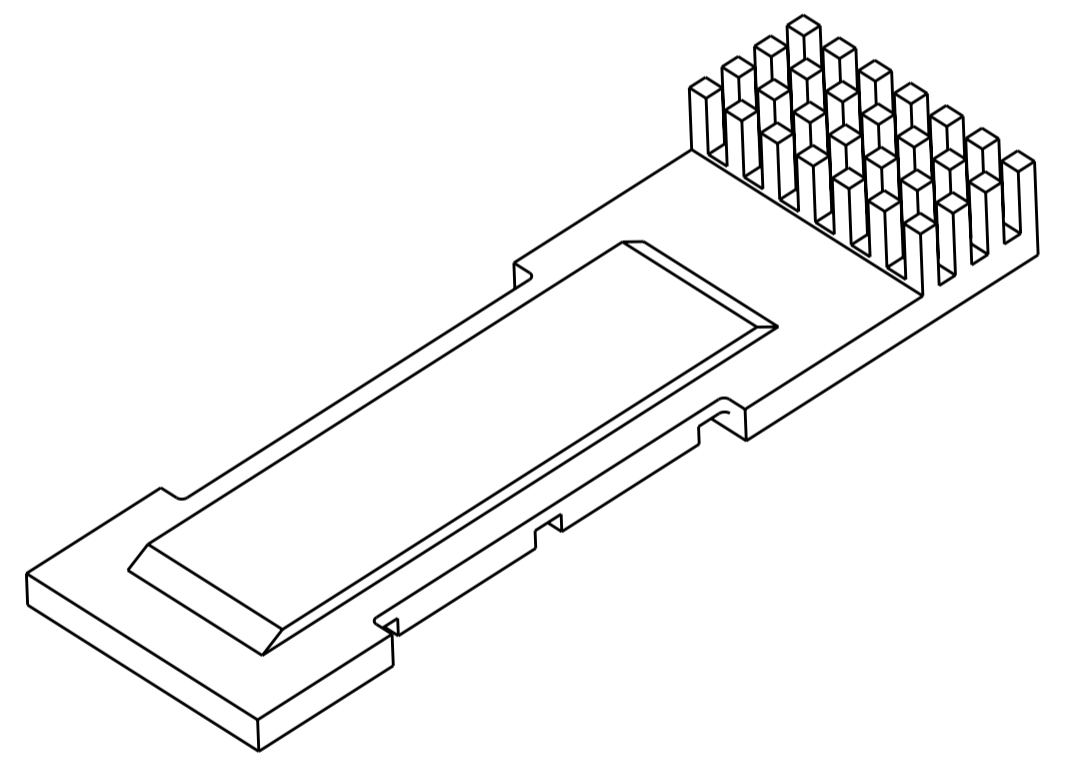
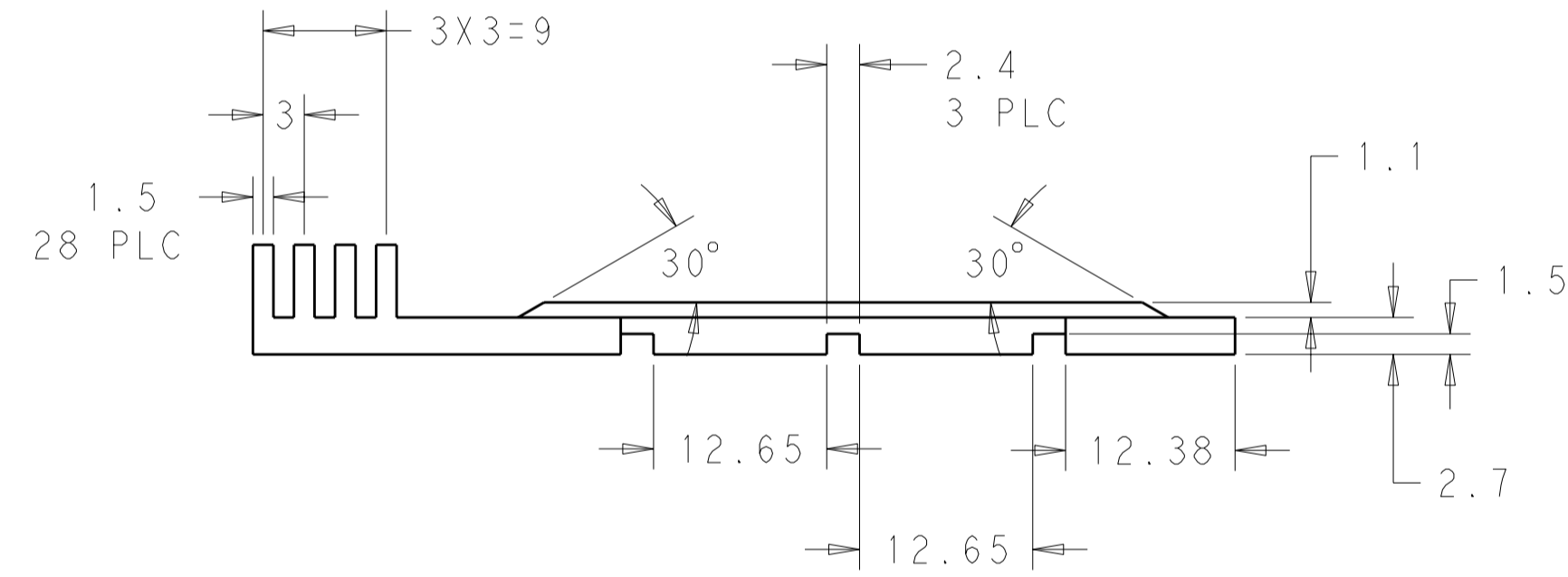


THIS DRAWING IS UNPUBLISHED. RELEASED FOR PUBLICATION
 © COPYRIGHT copyright_d8Te- ALL RIGHTS RESERVED.

LOC	DIST	REVISIONS			
P	LTR	DESCRIPTION	DATE	DWN	APVD
ES	00				
	3	PROPOSAL	02APR2011	KS	MQ.W
	A	RELEASE PER ECO-11-010316	18MAY2011	KS	MQ.W



NOTES:
 1. INTERPRET DRAWING PER ASME Y14.5-1994.
 2. FINISH: ANODIZED BLACK.



2170043-2
 PART NUMBER

THIS DRAWING IS A CONTROLLED DOCUMENT.		DWN: KINSEN SUN 11APR2011	TE Connectivity	
DIMENSIONS: mm		CHK: MANQIAN WANG 11APR2011		
TOLERANCES UNLESS OTHERWISE SPECIFIED:		APVD: JINHUA CHEN 11APR2011	NAME: XFP HEAT SINK WITH INVERTED PIN	
0 PLC ±- 1 PLC ±.25 2 PLC ±.13 3 PLC ±.05 4 PLC ±- ANGLES ±1° FINISH		PRODUCT SPEC: -	SIZE: A2	RESTRICTED TO: -
MATERIAL: 6063-T5 AL		APPLICATION SPEC: -	CAGE CODE: -	DRAWING NO: 2170043
		WEIGHT: -	SCALE: 2:1	SHEET 1 OF 1 REV A
		CUSTOMER DRAWING		