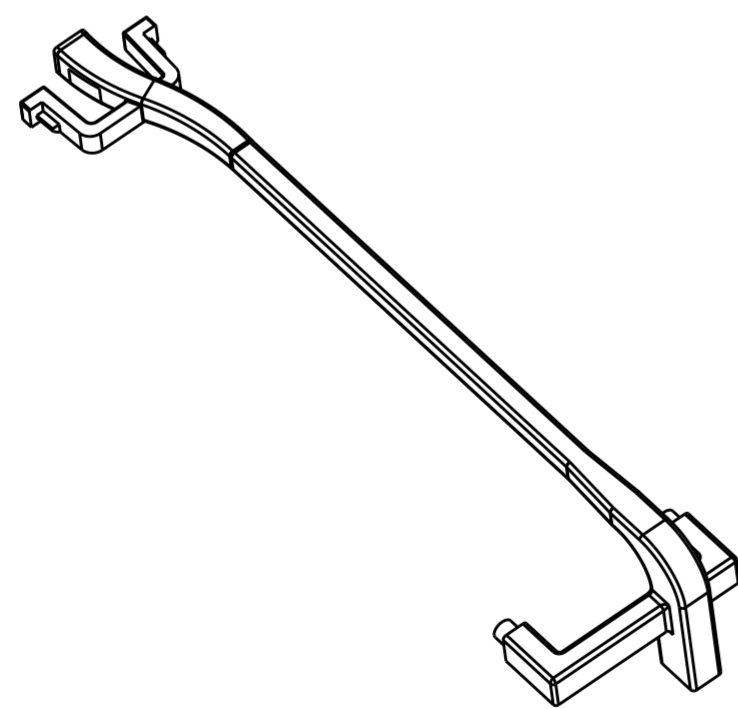
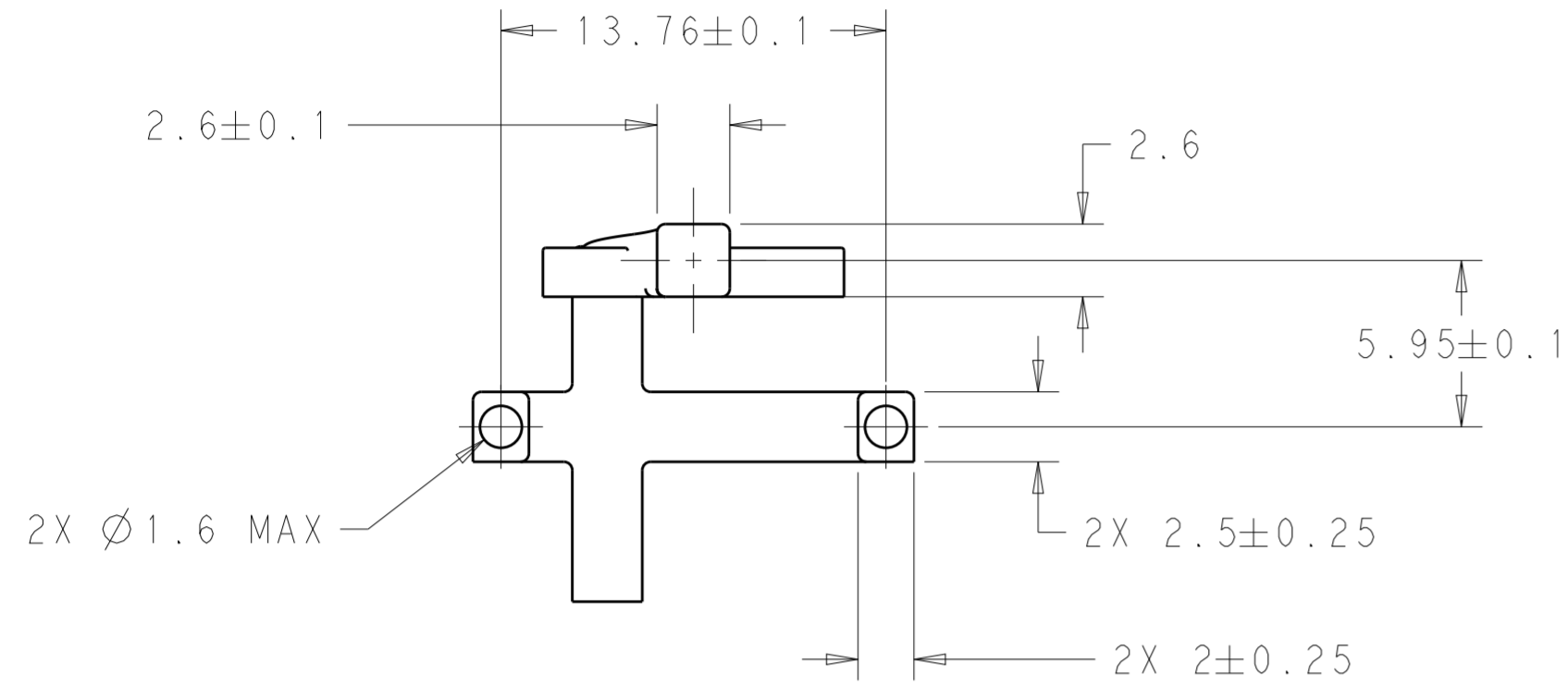


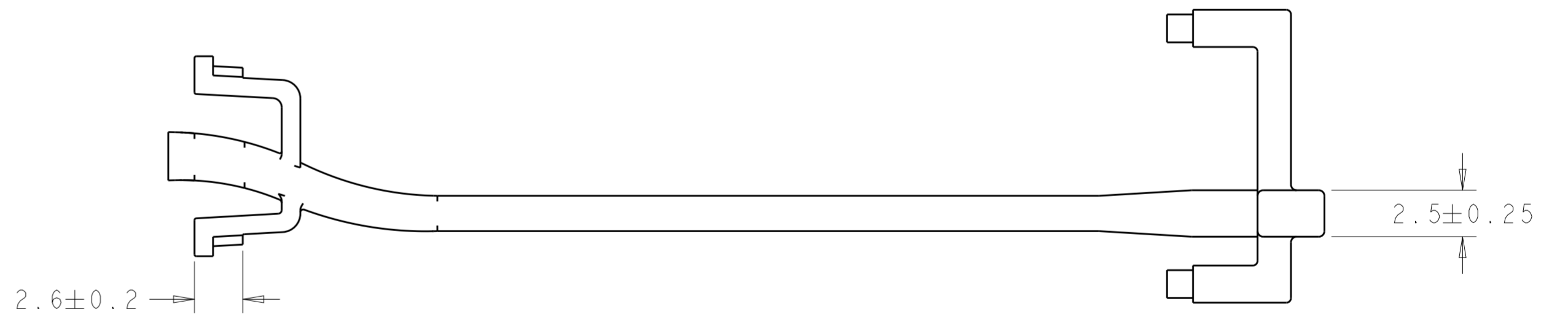
THIS DRAWING IS UNPUBLISHED. RELEASED FOR PUBLICATION
 © COPYRIGHT copyright.d8te- ALL RIGHTS RESERVED.

REVISIONS					
P	LTR	DESCRIPTION	DATE	DWN	APVD
3		PRELIMINARY(ADD DASHED NUMBER)	15DEC2010	AL	CW
4		REVISED PER ECO-15-002112	10FEB2015	RG	MC

1 MATERIAL: CLEAR POLYCARBONATE



SCALE 2:1



1 MATERIAL	2170022-1
	PART NUMBER

TE Connectivity		NAME	
		LIGHT PIPE, SQUARE, SINGLE BEHIND BEZEL, GANGED QSFP	
SIZE	CAGE CODE	DRAWING NO	RESTRICTED TO
A2	-	C-2170022	-
SCALE 4:1		SHEET 1 OF 1	REV 4

THIS DRAWING IS A CONTROLLED DOCUMENT.		DWN	15DEC2010
DIMENSIONS:		CHK	15DEC2010
mm	TOLERANCES UNLESS OTHERWISE SPECIFIED:	APVD	15DEC2010
0 PLC	±-	PRODUCT SPEC	
1 PLC	±.5	APPLICATION SPEC	
2 PLC	±.13	WEIGHT	
3 PLC	±.013	Customer Drawing	
4 PLC	±0.0001		
ANGLES	±-		
FINISH	-		
MATERIAL	1		