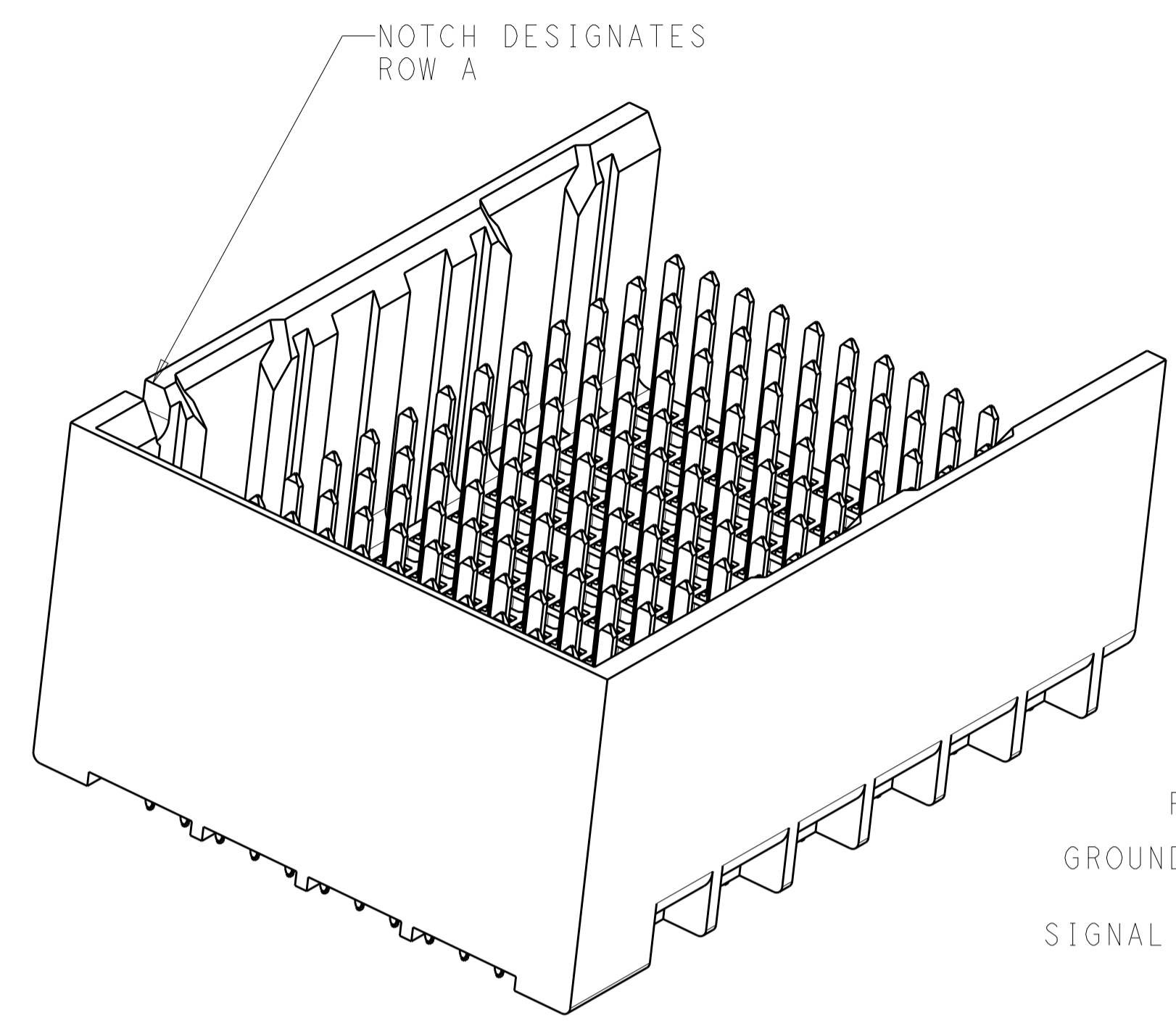
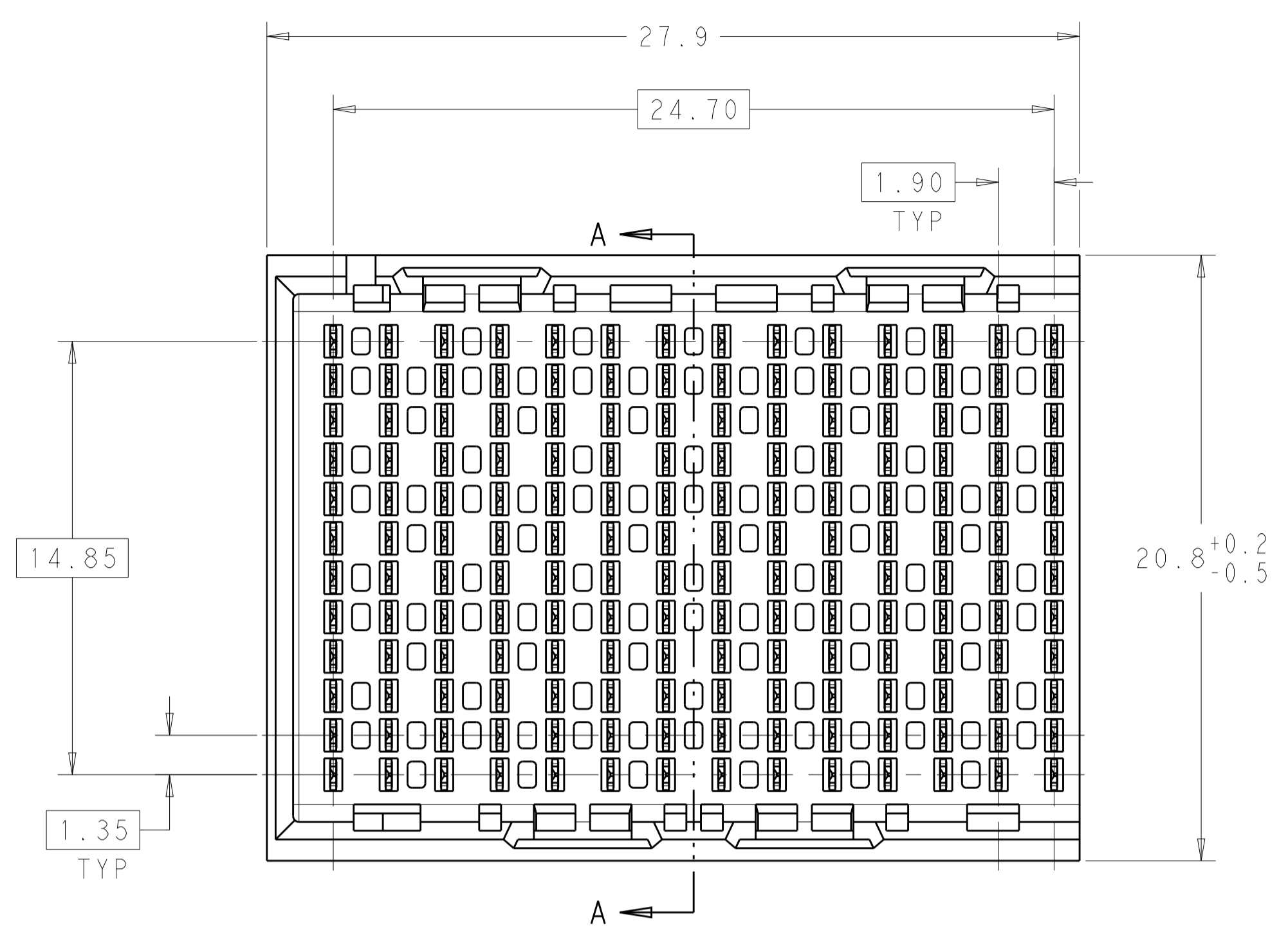
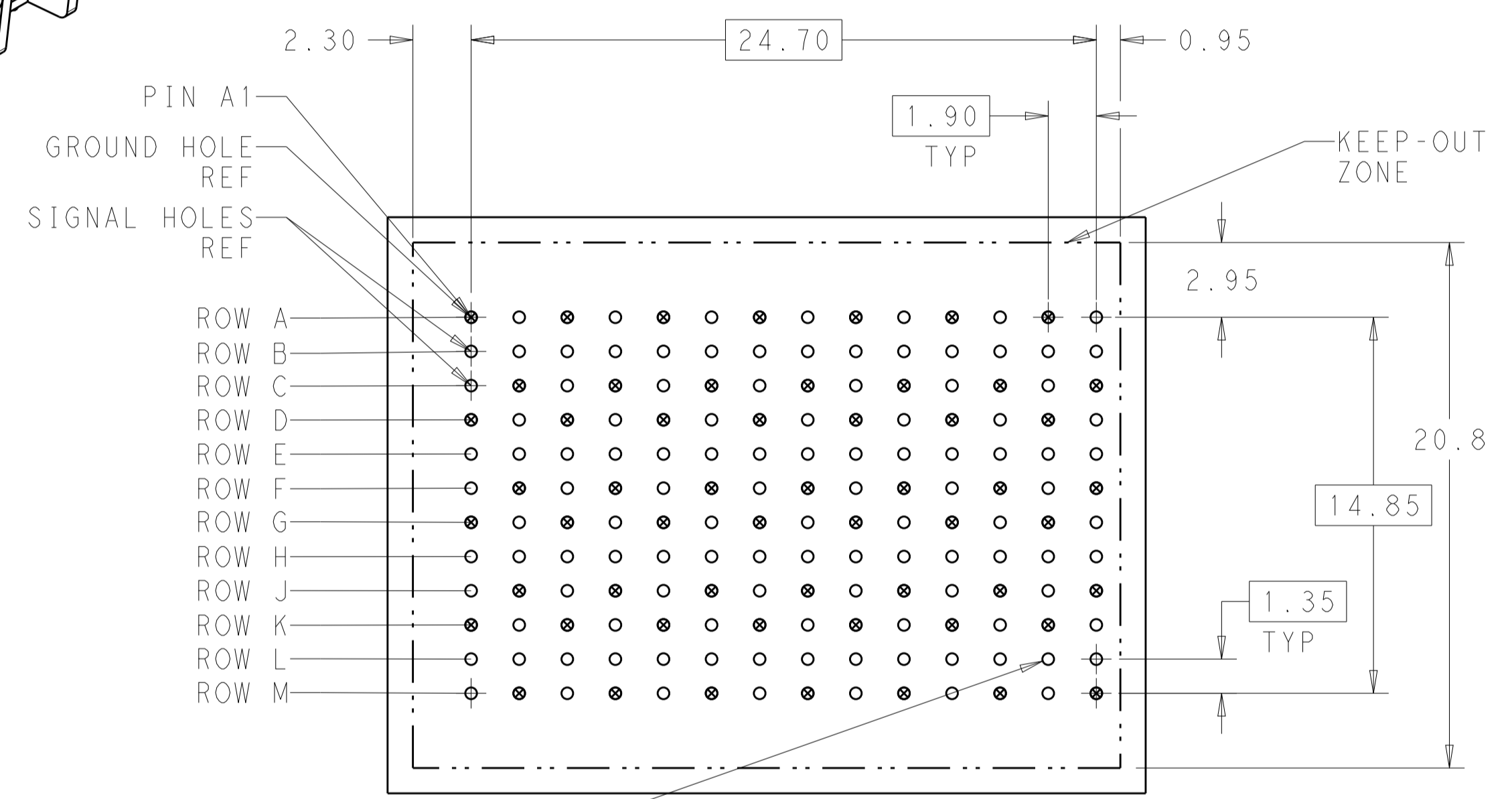


LOC		DIST		REVISIONS			
AD	00	P	LTN	DESCRIPTION	DATE	DWN	APVD
		A1		REVISED PER ECO-15-001494	07FEB2015	AP	DD



⚠ MATERIAL:  
HOUSING: LCP, GLASS FILLED, UL94V-0.  
TERMINALS: HIGH PERFORMANCE COPPER ALLOY.

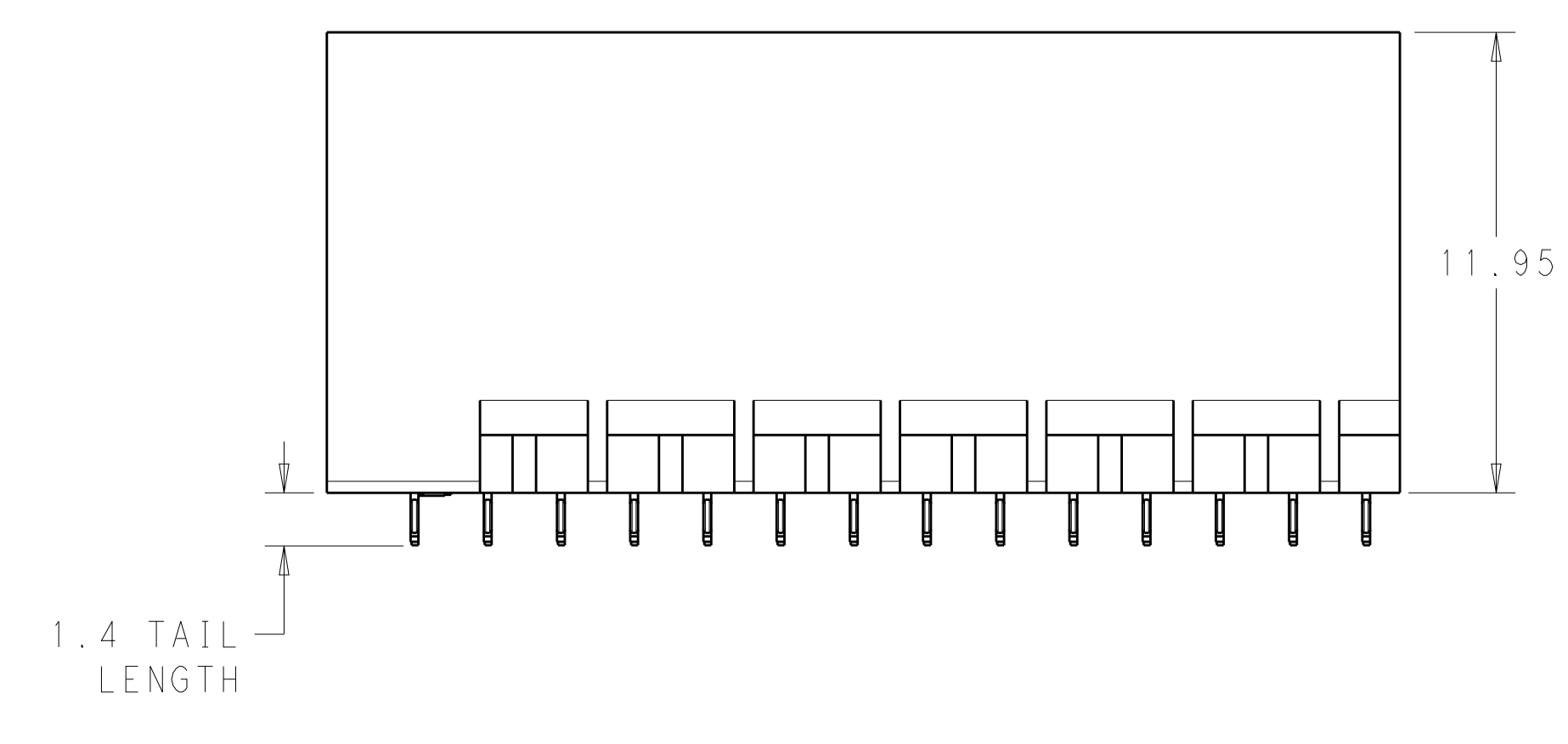
⚠ FINISH:  
30μ" MIN GOLD IN CONTACT AREA. SELECTIVE TIN  
ON PCB TAILS, NICKEL OVERALL.



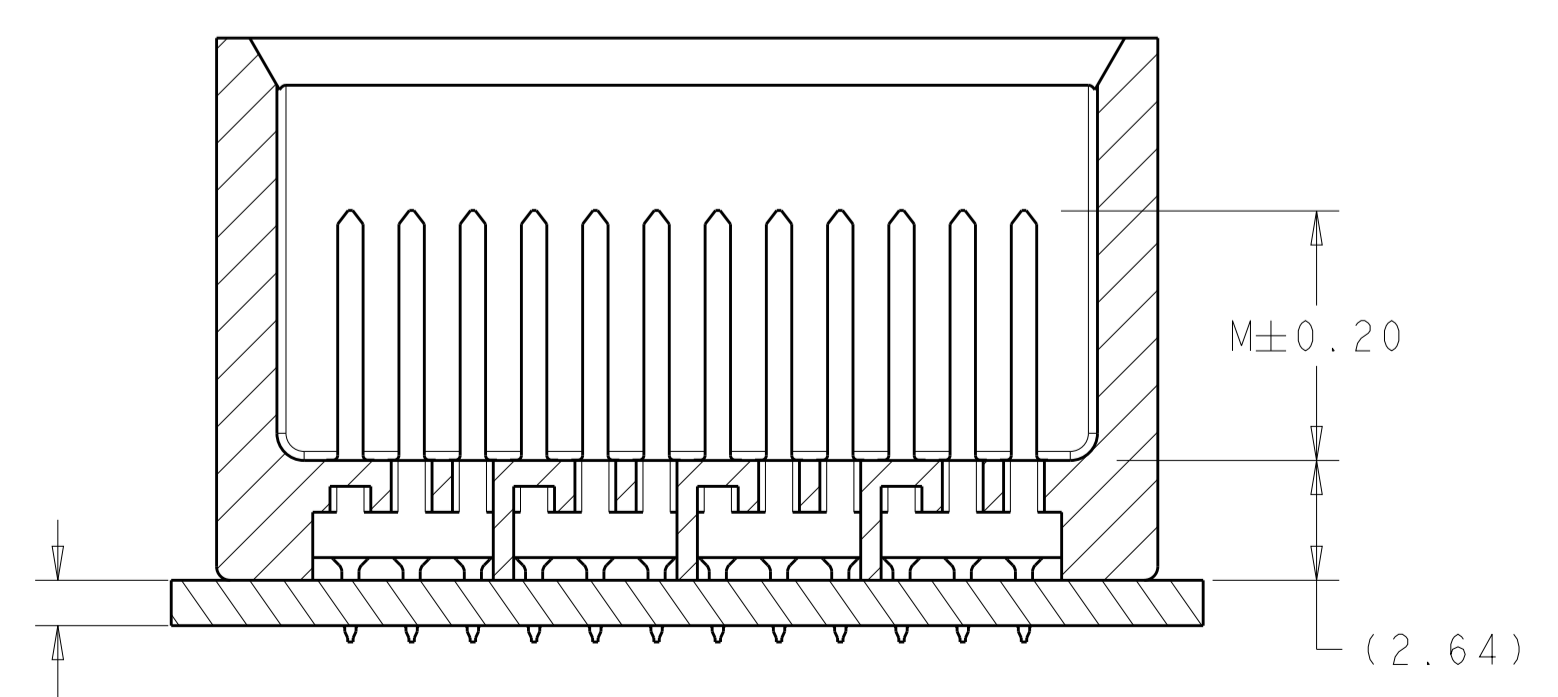
168X  $\varnothing 0.46 \pm 0.05$   
PLATED THRU HOLE

168X  $\varnothing 0.55 \pm 0.013$   
DIRLL HOLE  
 $\varnothing 0.10$

UNGUIDED  
BACKPLANE HOLE PATTERN  
(CONNECTOR SIDE)



1.00  
MINIMUM BOARD  
THICKNESS



SECTION A-A

THIS DRAWING IS A CONTROLLED DOCUMENT.		DWN R. COELLO 27MAY2011	 TE Connectivity
DIMENSIONS:		CHK J. EARY 27MAY2011	
TOLERANCES UNLESS OTHERWISE SPECIFIED:		APVD J. EARY 27MAY2011	
0 PLC ± 1 PLC ±0.25 2 PLC ±0.13 3 PLC ± 4 PLC ± ANGLES ±		NAME IMPACT, 4 PAIR, 14 COLUMN, HEADER UNGUIDED, LEFT END WALL SIGNAL MODULE, 0.46 PTH	
MATERIAL	FINISH SEE TABLE	WEIGHT	SIZE CAGE CODE DRAWING NO. RESTRICTED TO
CUSTOMER DRAWING		SCALE 6:1	SHEET 1 OF 2 REV A1

THIS DRAWING IS UNPUBLISHED. RELEASED FOR PUBLICATION 20  
 © COPYRIGHT 20 BY - ALL RIGHTS RESERVED.

LOC		DIST		REVISIONS			
P	LTN	DESCRIPTION	DATE	DMN	APVD		
-	-	SEE SHEET 1	-	-	-		

	5.5	2169017-3
	4.9	2169017-2
	4.5	2169017-1
FINISH	DIM M	PART NUMBER

REFER TO WWW.TE.COM  
FOR PRODUCT AVAILABILITY

THIS DRAWING IS A CONTROLLED DOCUMENT.		DMN R. COELLO 27MAY2011	
DIMENSIONS: mm		CHK J. EARY 27MAY2011	
		APVD J. EARY 27MAY2011	
TOLERANCES UNLESS OTHERWISE SPECIFIED: 0 PLC ±0.25 1 PLC ±0.13 2 PLC ± 3 PLC ± 4 PLC ± ANGLES ±		NAME IMPACT, 4 PAIR, 14 COLUMN, HEADER UNGUIDED, LEFT END WALL SIGNAL MODULE, 0.46 PTH	RESTRICTED TO
MATERIAL -		PRODUCT SPEC -	SIZE CAGE CODE DRAWING NO. A100779C=2169017
FINISH SEE TABLE		APPLICATION SPEC -	WEIGHT -
CUSTOMER DRAWING		SCALE 5:1	SHEET 2 OF 2 REV A1