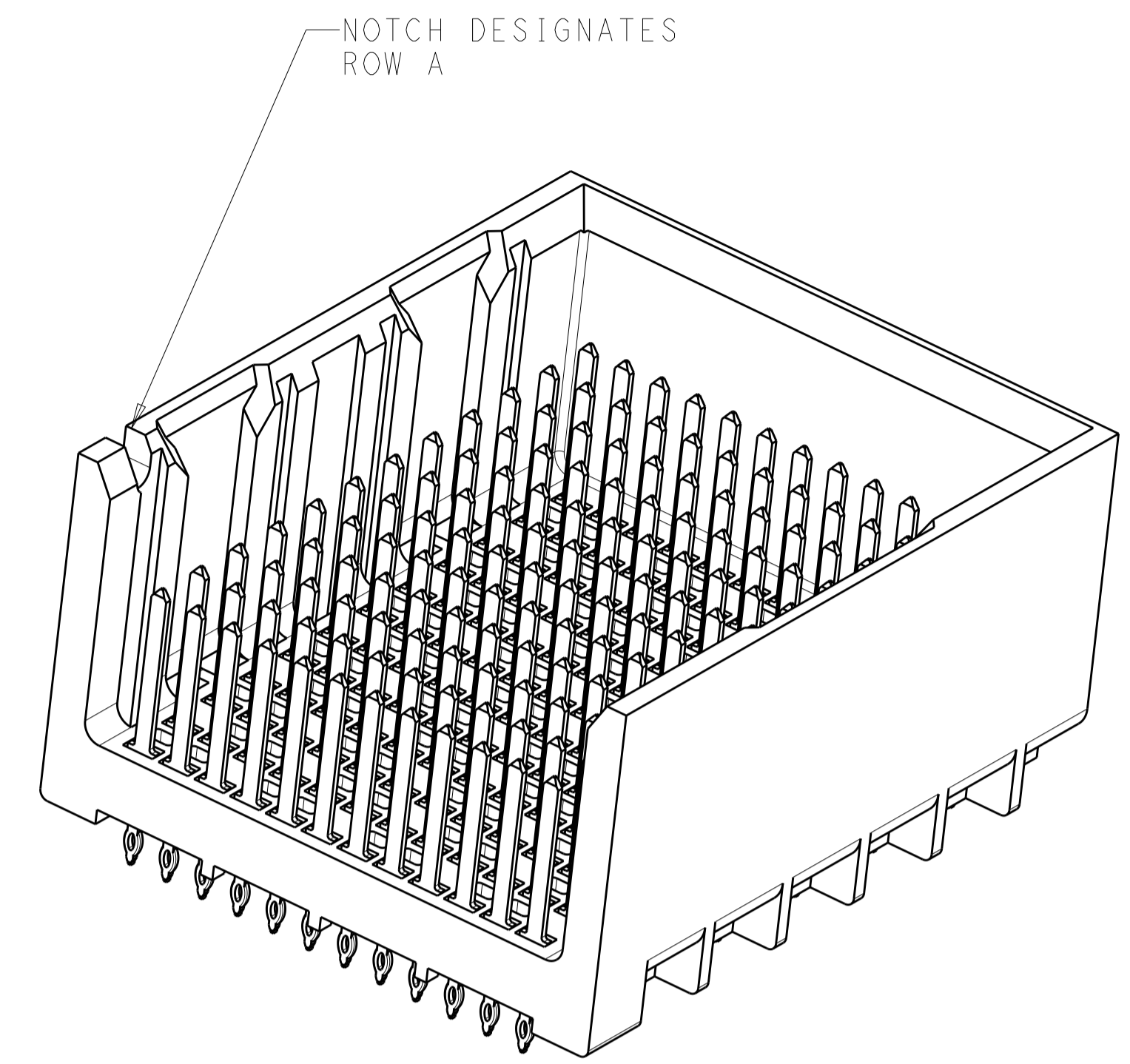
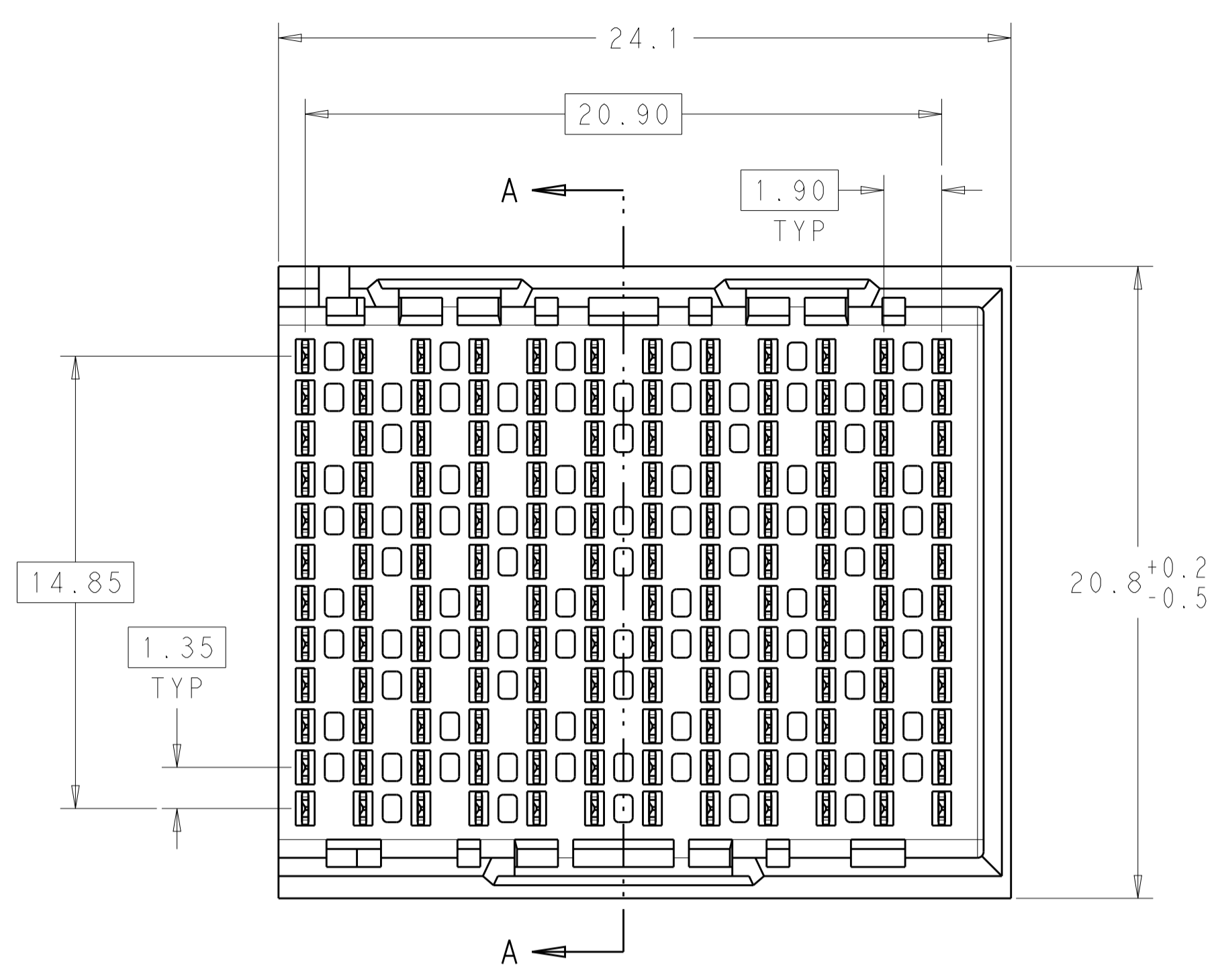
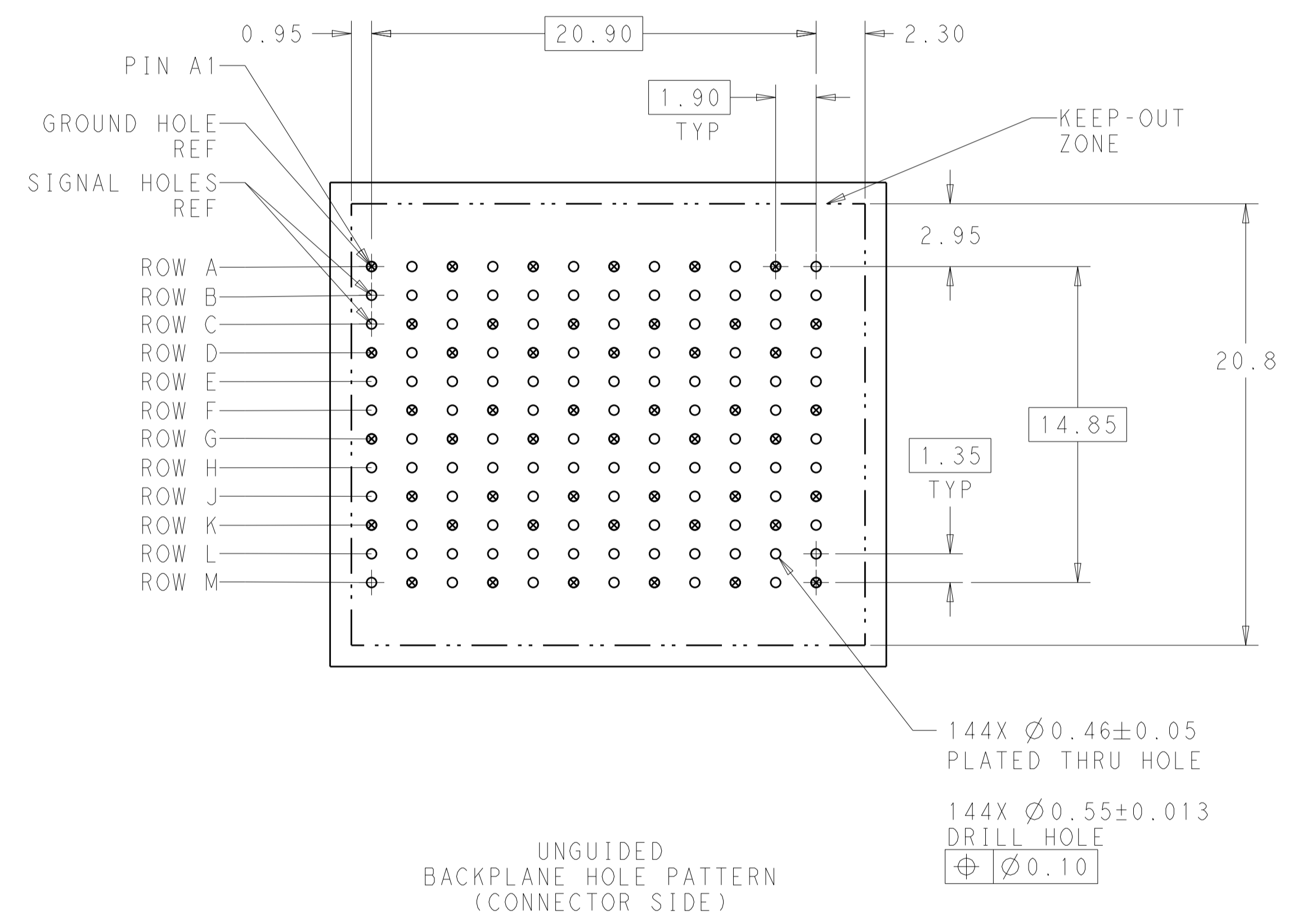


LOC		DIST		REVISIONS			
AD	00	P	LTN	DESCRIPTION	DATE	DWN	APVD
		A1		REVISED PER ECO-15-001494	06FEB2015	AP	DD

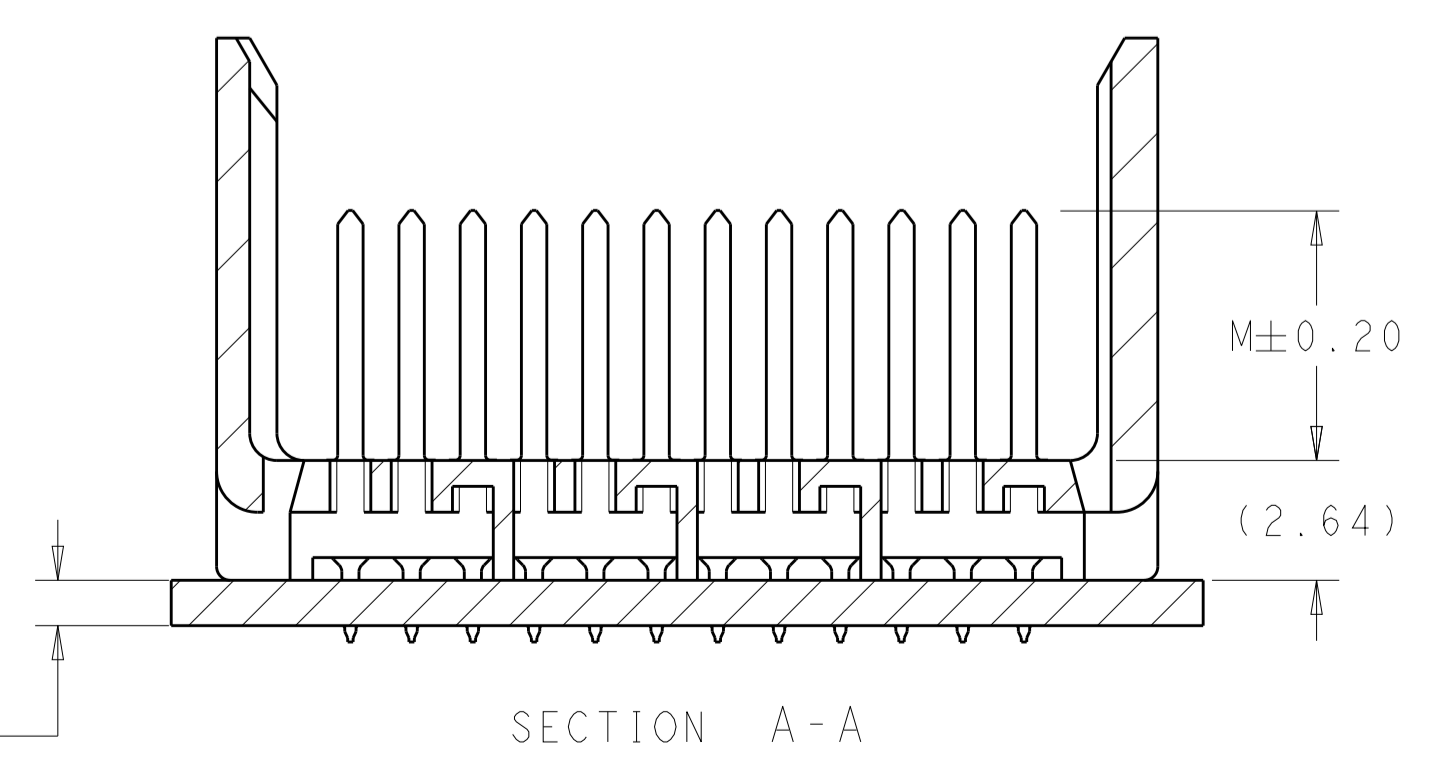
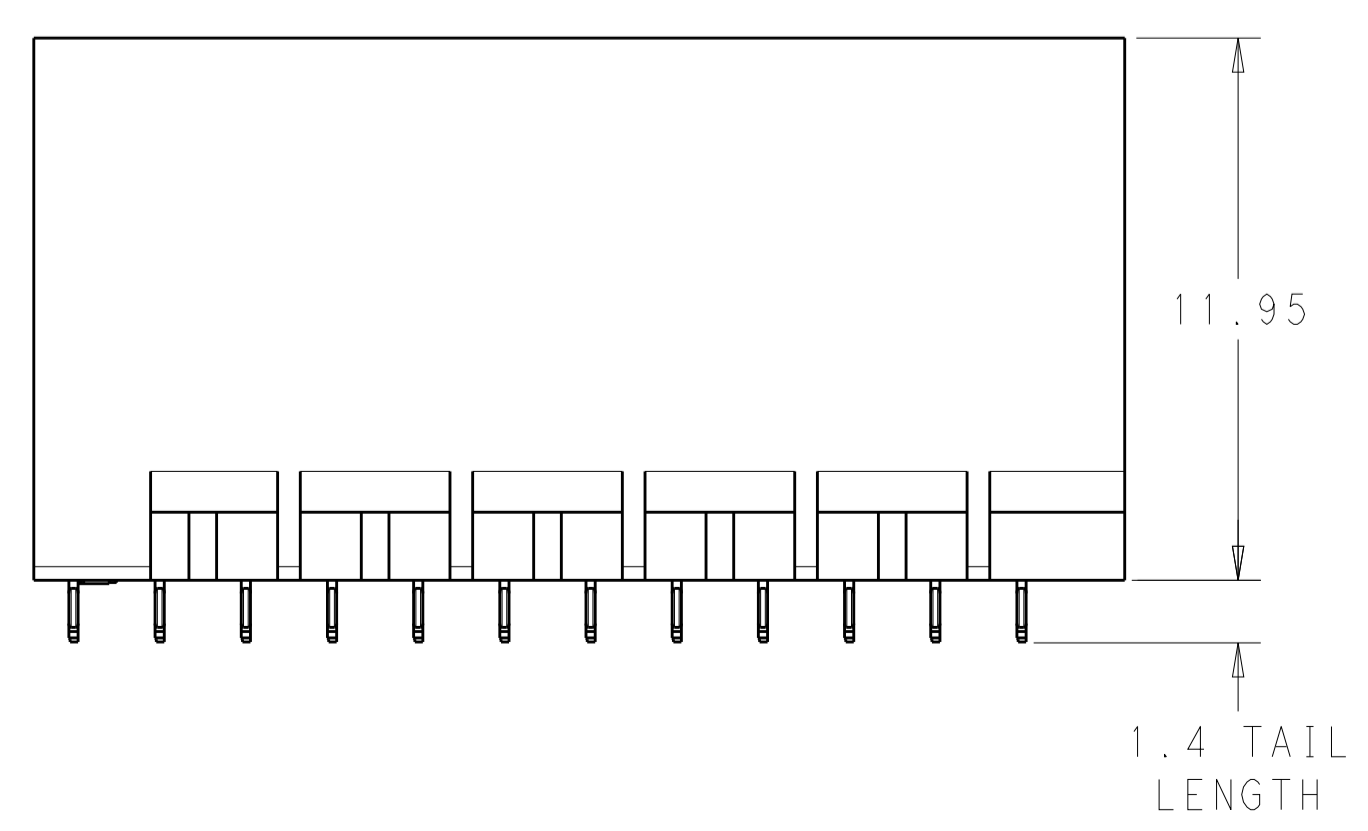


⚠ MATERIAL:
HOUSING: LCP, GLASS FILLED, UL94V-0.
TERMINALS: HIGH PERFORMANCE COPPER ALLOY.

⚠ FINISH:
30μ" MIN GOLD IN CONTACT AREA. SELECTIVE TIN
ON PCB TAILS, NICKEL OVERALL..



UNGUIDED
BACKPLANE HOLE PATTERN
(CONNECTOR SIDE)



THIS DRAWING IS A CONTROLLED DOCUMENT.		DWN: R. COELLO 27MAY2011	TE Connectivity
DIMENSIONS: mm		CHK: J. EARY 27MAY2011	
TOLERANCES UNLESS OTHERWISE SPECIFIED:		APVD: J. EARY 27MAY2011	NAME: IMPACT, 4 PAIR, 12 COLUMN, HEADER UNGUIDED, RIGHT END WALL SIGNAL MODULE, 0.46 PTH
0 PLC ±	1 PLC ±0.25	PRODUCT SPEC	SIZE: CAGE CODE DRAWING NO. RESTRICTED TO
2 PLC ±0.13	3 PLC ±	APPLICATION SPEC	A100779C=2169003
4 PLC ±	ANGLES ±	WEIGHT	CUSTOMER DRAWING
FINISH: SEE TABLE		SCALE: 6:1	SHEET 1 OF 2
		REV: A1	

THIS DRAWING IS UNPUBLISHED. RELEASED FOR PUBLICATION 20
 © COPYRIGHT 20 BY - ALL RIGHTS RESERVED.

LOC		DIST		REVISIONS			
AD	00	P	LTN	DESCRIPTION	DATE	DMN	APVD
		-		SEE SHEET 1	-	-	-

FINISH	DIM M	PART NUMBER
	5.5	2169003-3
	4.9	2169003-2
	4.5	2169003-1

REFER TO WWW.TE.COM
FOR PRODUCT AVAILABILITY

THIS DRAWING IS A CONTROLLED DOCUMENT.		DMN R. COELLO 27MAY2011		TE Connectivity	
DIMENSIONS: mm		CHK J. EARY 27MAY2011		NAME IMPACT, 4 PAIR, 12 COLUMN, HEADER UNGUIDED, RIGHT END WALL SIGNAL MODULE, 0.46 PTH	
TOLERANCES UNLESS OTHERWISE SPECIFIED:		APVD J. EARY 27MAY2011	PRODUCT SPEC		
0 PLC ±		APPLICATION SPEC		SIZE CAGE CODE DRAWING NO RESTRICTED TO	
1 PLC ±0.25		WEIGHT		A100779C=2169003	
2 PLC ±0.13		CUSTOMER DRAWING		SCALE 5:1 SHEET 2 OF 2 REV A1	
3 PLC ±					
4 PLC ±					
ANGLES FINISH SEE TABLE					