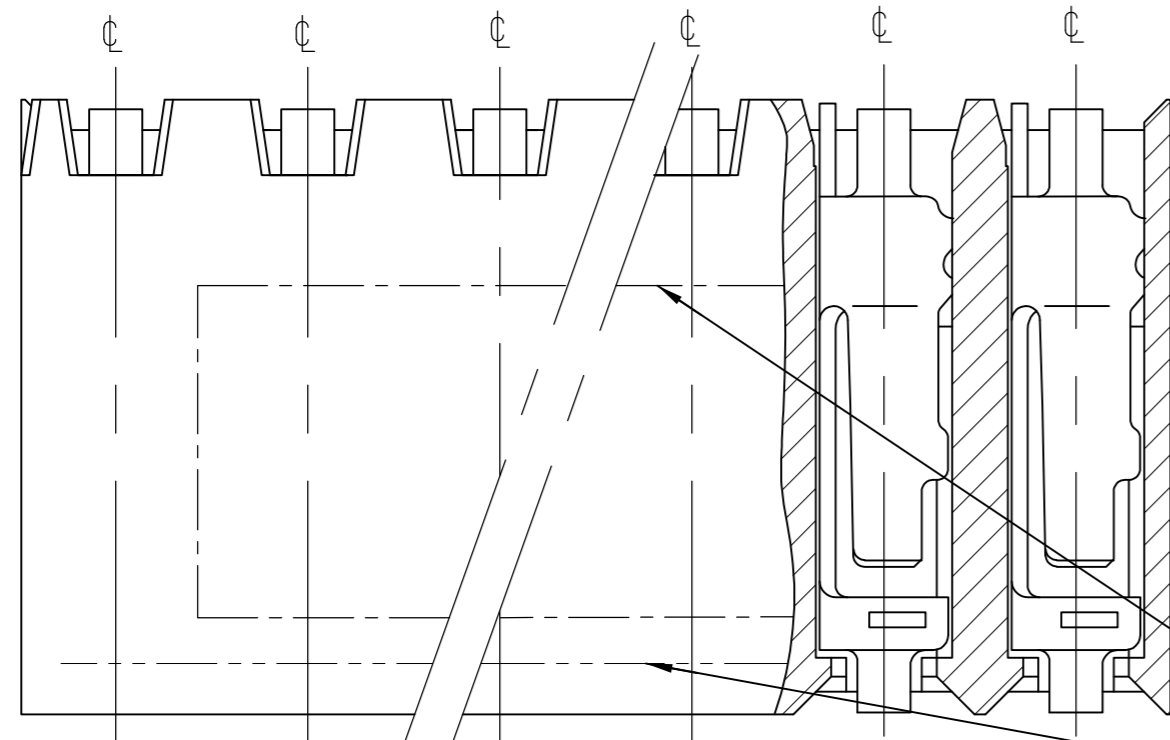


THIS DRAWING IS UNPUBLISHED. RELEASED FOR PUBLICATION
 © COPYRIGHT - By - ALL RIGHTS RESERVED.

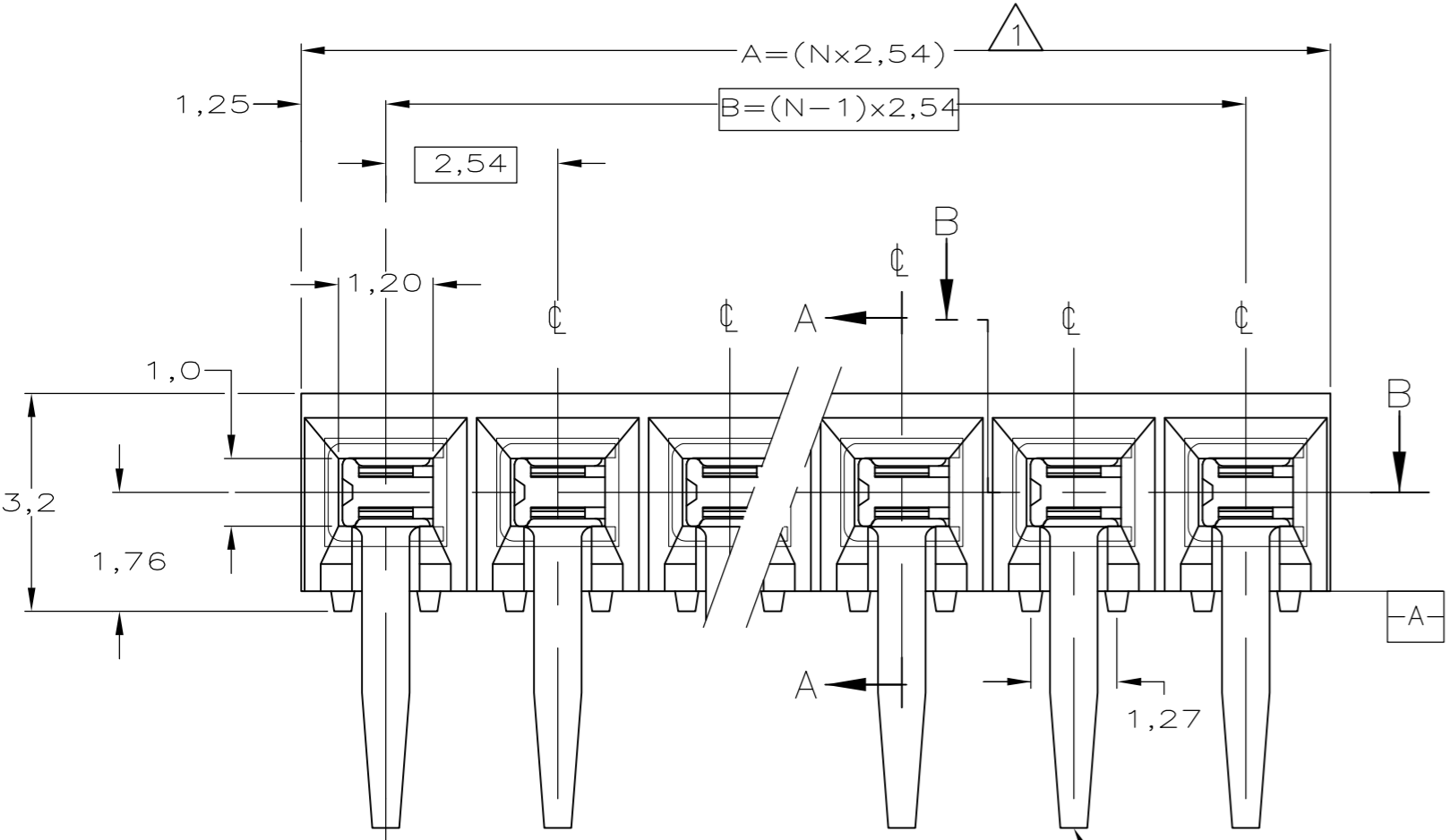
LOC		DIST		REVISIONS			
P	LTR	DESCRIPTION		DATE	DWN	APVD	
-	-	H4	PART STATUS UPDATED IN THE PART LIST TABLE		30MAY2014	KJK	JK



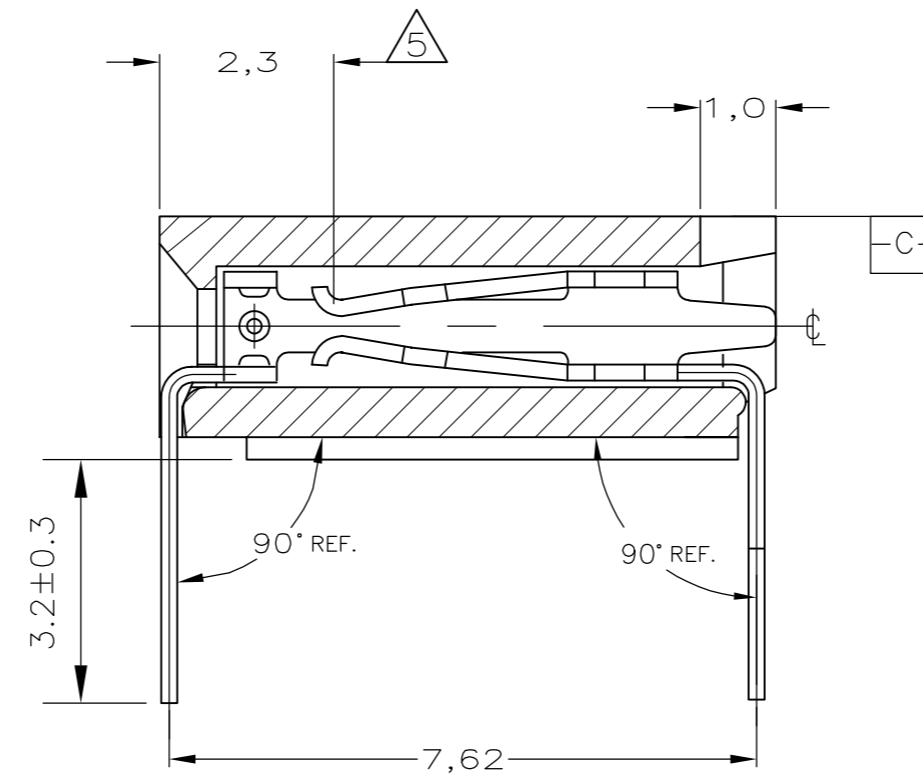
SECTION B-B/TOPVIEW

PART NO.	'N' POS. PER ROW	DIMENSIONS	
		A	B
216601-2	2	5.08	2.54
216601-4	4	10.16	7.62
216601-6	6	15.24	12.7
OBSOLETE 1-216601-1	11	27.94	25.4
OBSOLETE 1-216601-5	15	38.1	35.56
OBSOLETE 1-216601-6	16	40.64	38.1
OBSOLETE 1-216601-7	17	43.18	40.64
OBSOLETE 1-216601-9	19	48.26	45.72

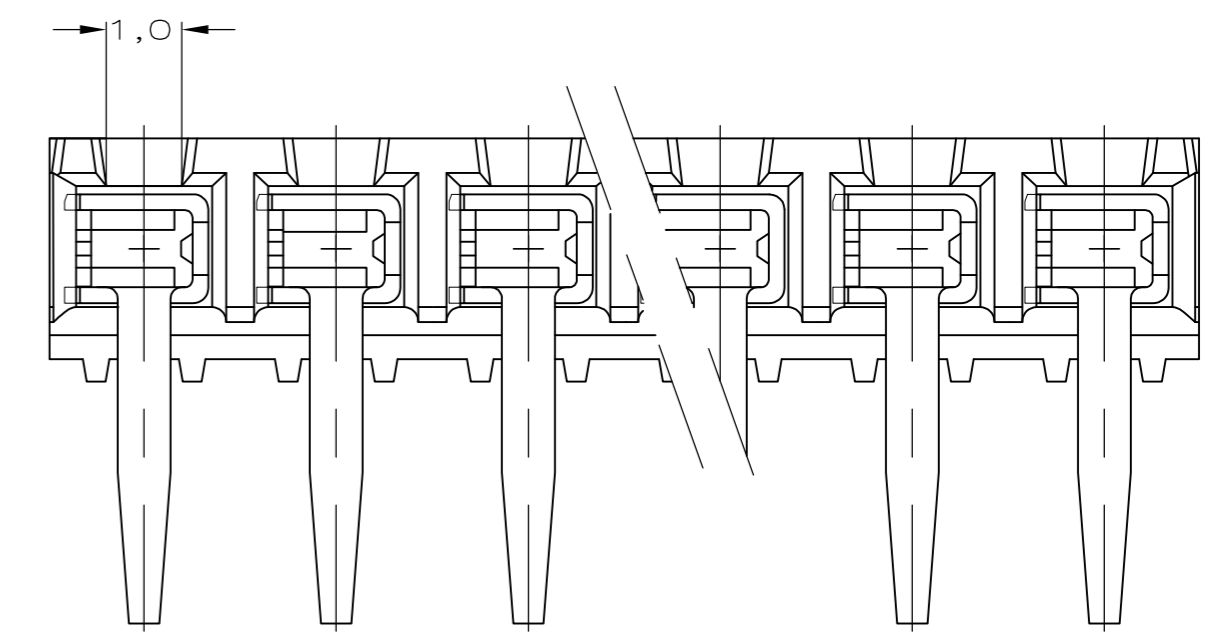
- NOTES:**
- 1 TO DETERMINE DIMENSIONS TAKE N=NR. OF POS. FOR EXAMPLE, 10 POS., N x 2,54 = 25,4mm. FOR ORDER NR. USE BASIC NR.+NR. OF POS. FOR EXAMPLE, 2 POS.= 216601-2 (SHORTEST VERSION) 65 POS.= 6-216601-5 (LONGEST VERSION)
 - 2 HOUSING MATERIAL, GREEN GLASS FILLED POLYESTER, UL 94V-0 CONTACT MATERIAL, PHOSPHOR BRONZE.
 - 3 PLATING: 3,0-5,0µm TIN .
 - 4 MATES WITH 0,63 SQUARE/ROUND MODU POSTS.
 - 5 CONTACT-POINT.
 - 6 RECOMMENDED P.C.BOARD-THICKNESS, 1,6mm.
- PRINTED: THE WORD "TE" [FOR 2 TO 6 POS] THE WORD "TE" & PRODUCTION DATE [FOR 7 TO 12 POS] THE WORD "TE", PRODUCTION DATE & BASIC PART NO. [FOR 13 TO 65 POS] AND A DASHED LINE OVER THE LENGTH OF HOUSING TO INDICATE CONTACT MATING SIDE.



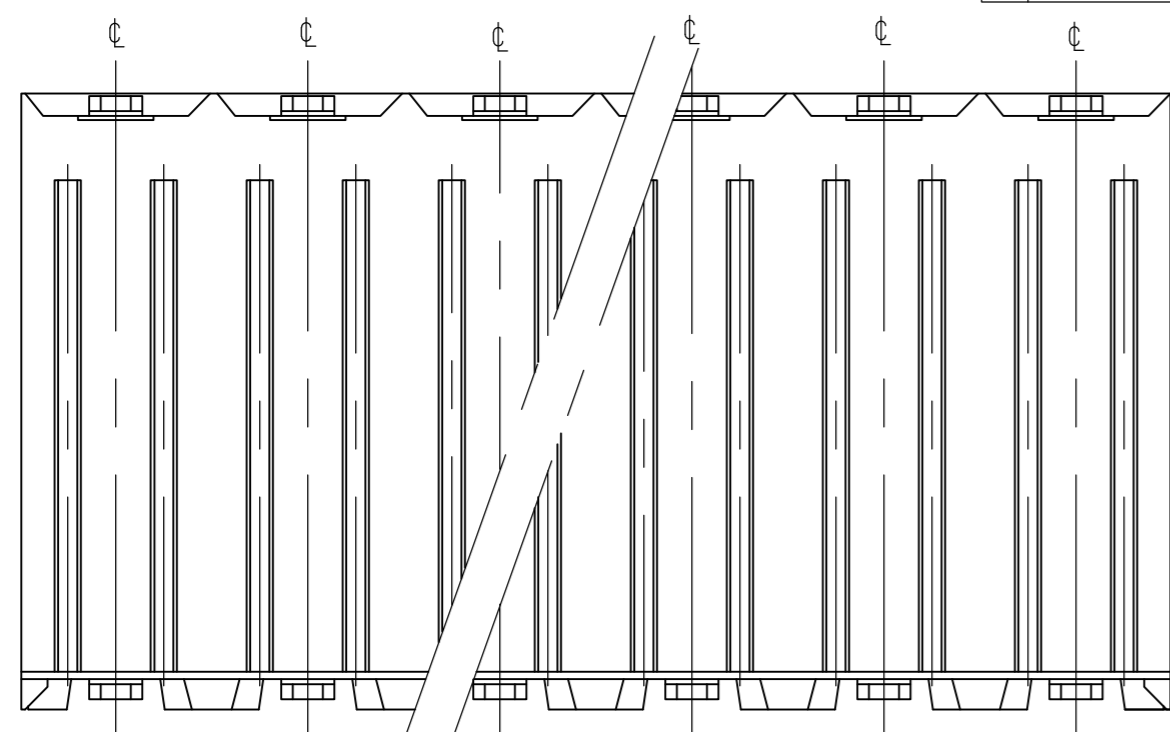
FRONT VIEW



SECTION A-A

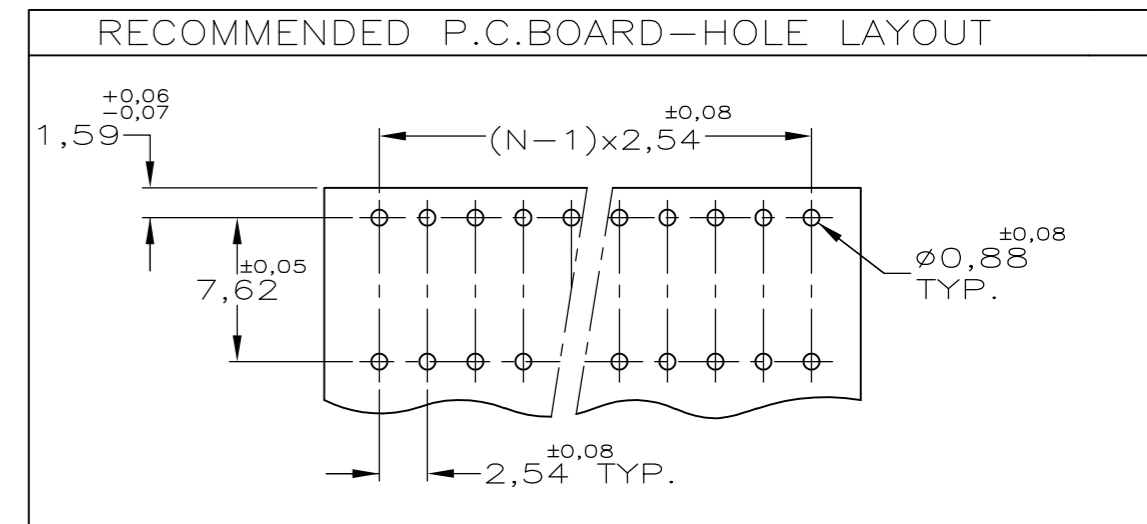


REAR VIEW



BOTTOM VIEW

⊕ φ 0.35 (M) ABC



THIS DRAWING IS A CONTROLLED DOCUMENT.		DWN W.R.ANNOKKEE 19/12/91	TE Connectivity
DIMENSIONS: mm		CHK R.BROENS 19/12/91	
TOLERANCES UNLESS OTHERWISE SPECIFIED: ±0.15		APVD E.LEIJTENS 19/12/91	NAME HV 190 HOR. ASSY SINGLE ROW, TIN VERSION, MAX. 65 POSITIONS
0 PLC ± - 1 PLC ± - 2 PLC ± - 3 PLC ± - 4 PLC ± - ANGLES ± -		PRODUCT SPEC 108-19072	SIZE A2
MATERIAL SEE NOTE 2		APPLICATION SPEC -	CAGE CODE 00779
FINISH SEE NOTE 3		WEIGHT -	DRAWING NO C=216601
		CUSTOMER DRAWING	RESTRICTED TO -
		SCALE 10:1	SHEET 1 OF 1
			REV H4