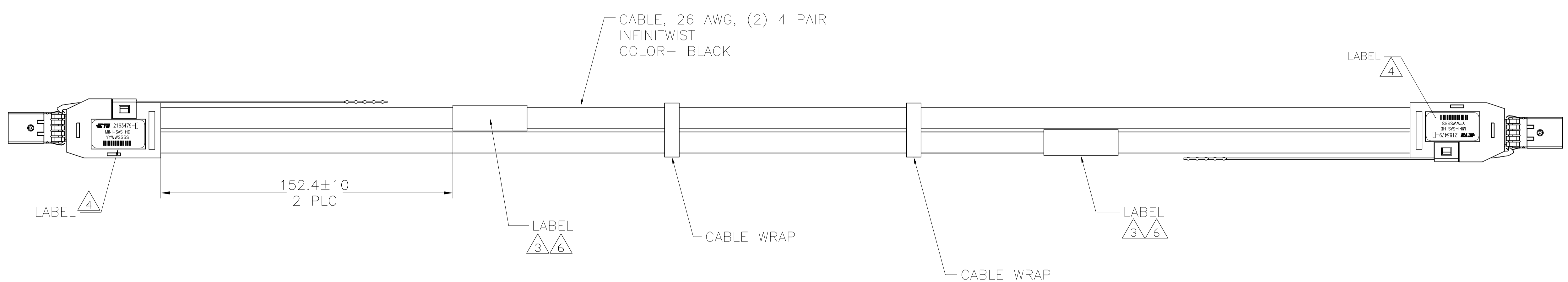
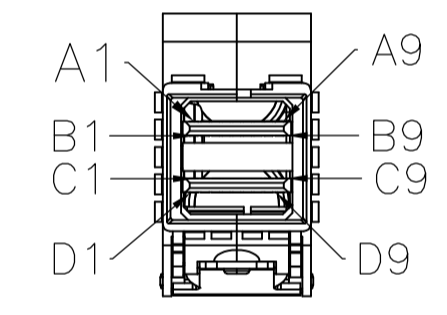
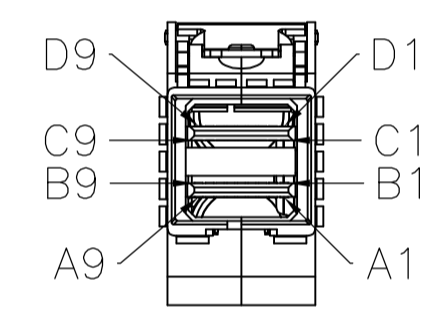
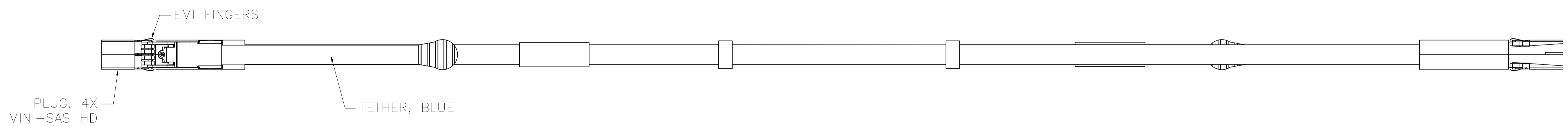
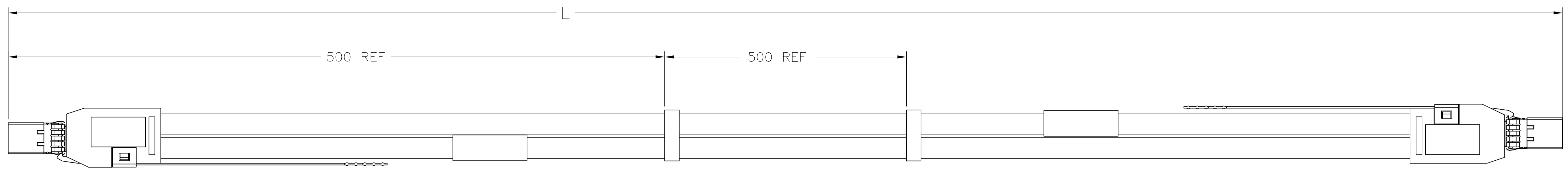


P1

P2



1. ASSEMBLY TESTED FOR CONTINUITY, OPENS, SHORTS, EEPROM PROGRAM AND SIGNAL INTEGRITY.
2. ROHS AND REACH COMPLIANCE: PRODUCT AND PROCESSING MEETS REQUIREMENTS OF TE SPECIFICATION TEC-138-702.

3 LABEL INFORMATION:

	TE LOGO AND P/N
2163479-[]	LENGTH
--- METERS	DATE CODE
YYWW	COUNTRY OF ORIGIN
MADE IN ---	

4 LABEL INFORMATION:

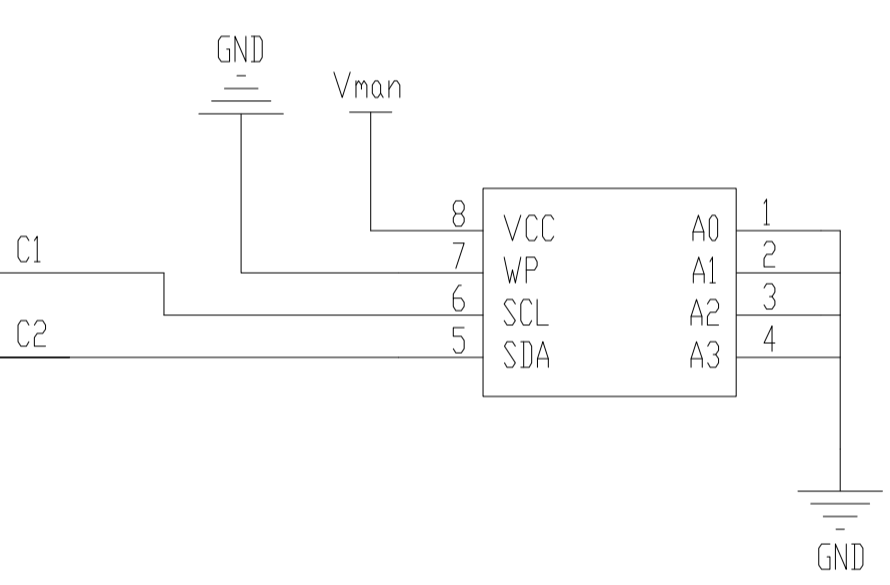
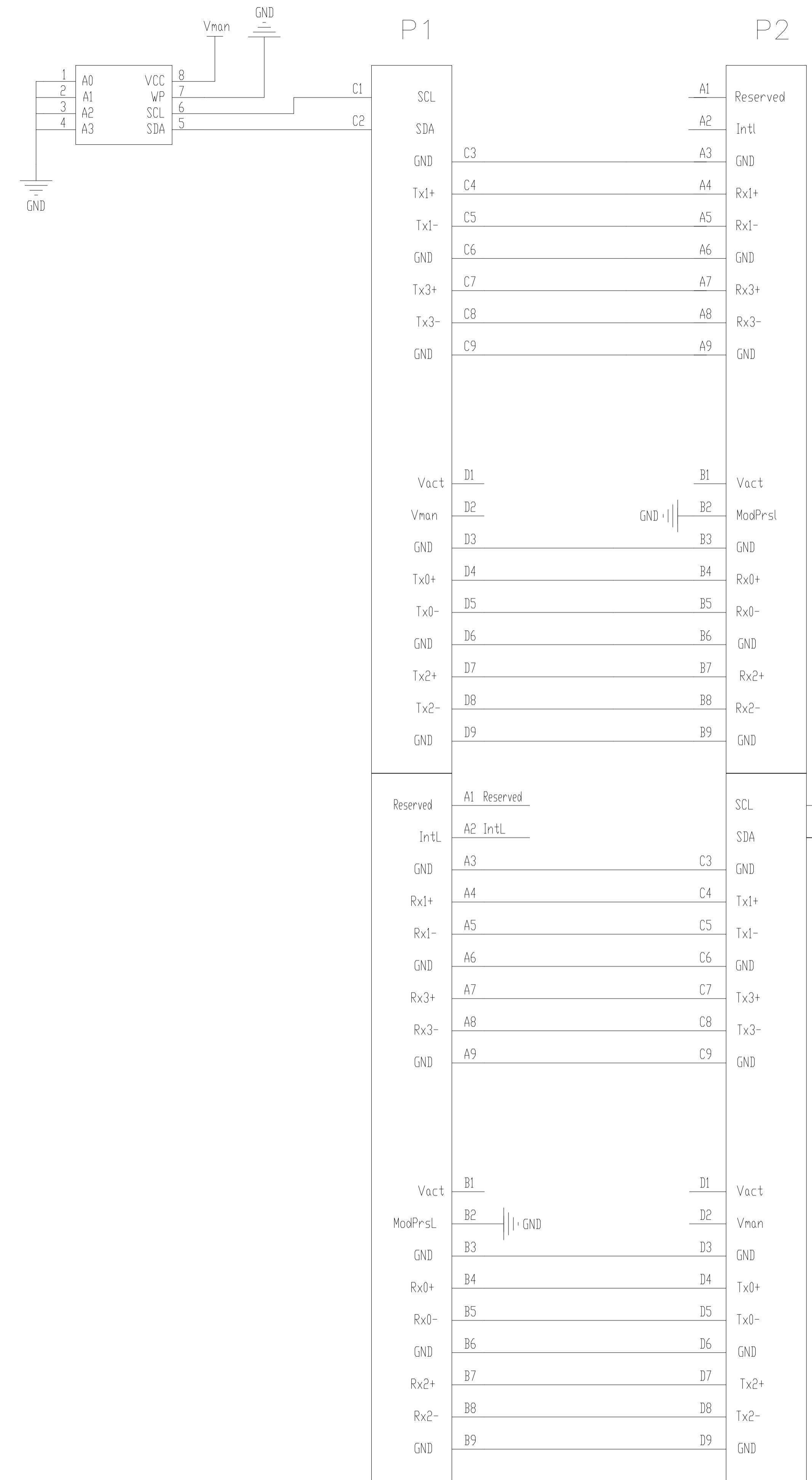
	TE LOGO AND P/N
2163479-[]	YYWW= DATE CODE, SSSS= SERIAL NUMBER
MINI-SAS HD	BARCODE
YYWWSSSS	

5. EEPROM PROGRAMMED PER TE DOCUMENT 2163479_EEPROM.

6 -1 ONLY: LABEL IS APPLIED TO THE CENTER OF THE CABLE ASSEMBLY.

7	+0.1 -0	METERS	2163479-8
6	+0.1 -0	METERS	2163479-7
5	+0.1 -0	METERS	2163479-6
4	+0.08 -0	METERS	2163479-5
3	+0.08 -0	METERS	2163479-4
2	+0.08 -0	METERS	2163479-3
1	+0.05 -0	METERS	2163479-2
0.5	+0.05 -0	METERS	2163479-1 6
L			PART NO

THIS DRAWING IS A CONTROLLED DOCUMENT.		DWN T. SMITH 25FEB2011	TE Connectivity	
DIMENSIONS:	TOLERANCES UNLESS OTHERWISE SPECIFIED:	CHK J. MEYERS 25FEB2011	NAME	CABLE ASSEMBLY, 26 AWG INFINITWIST, MINI-SAS HD, 4X
mm	0. PLC ± - 1. PLC ± - 2. PLC ± - 3. PLC ± - 4. PLC ± - ANGLES ± -	APVD J. MEYERS 25FEB2011	PRODUCT SPEC	108-2462
MATERIAL	FINISH	WEIGHT	SIZE	A1
			CAGE CODE	00779
			DRAWING NO	2163479
			RESTRICTED TO	
			CUSTOMER DRAWING	SCALE 1:1 SHEET 1 OF 2 REV C



THIS DRAWING IS A CONTROLLED DOCUMENT.		DWN T. SMITH 25FEB2011	TE Connectivity
DIMENSIONS: mm		CHK J. MEYERS 25FEB2011	
TOLERANCES UNLESS OTHERWISE SPECIFIED:		APVD J. MEYERS 25FEB2011	NAME CABLE ASSEMBLY, 26 AWG INFINITWIST, MINI-SAS HD, 4X
0. PLC ± - 1. PLC ± - 2. PLC ± - 3. PLC ± - 4. PLC ± - ANGLES ± -		PRODUCT SPEC	APPLICATION SPEC
MATERIAL		WEIGHT	RESTRICTED TO
FINISH		SIZE A1	CAGE CODE 00779
CUSTOMER DRAWING		DRAWING NO. C=2163479	SCALE 1:1
		SHEET 2	OF 2
		REV C	