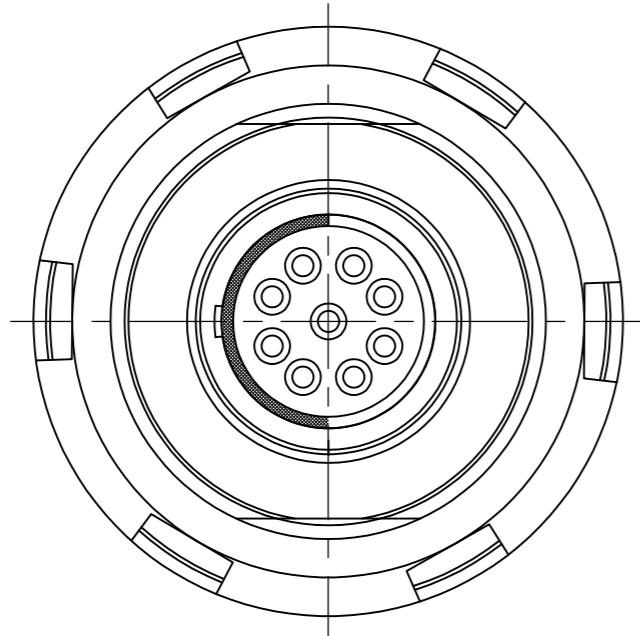
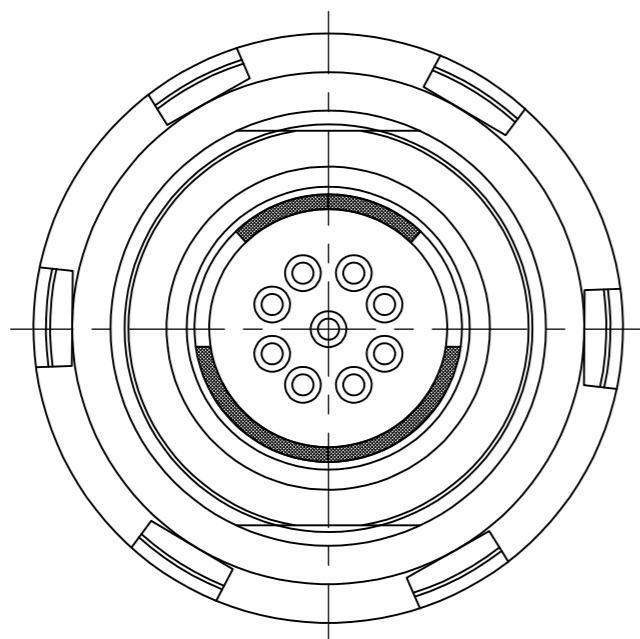


THIS DRAWING IS UNPUBLISHED. RELEASED FOR PUBLICATION
 © COPYRIGHT - By - ALL RIGHTS RESERVED.

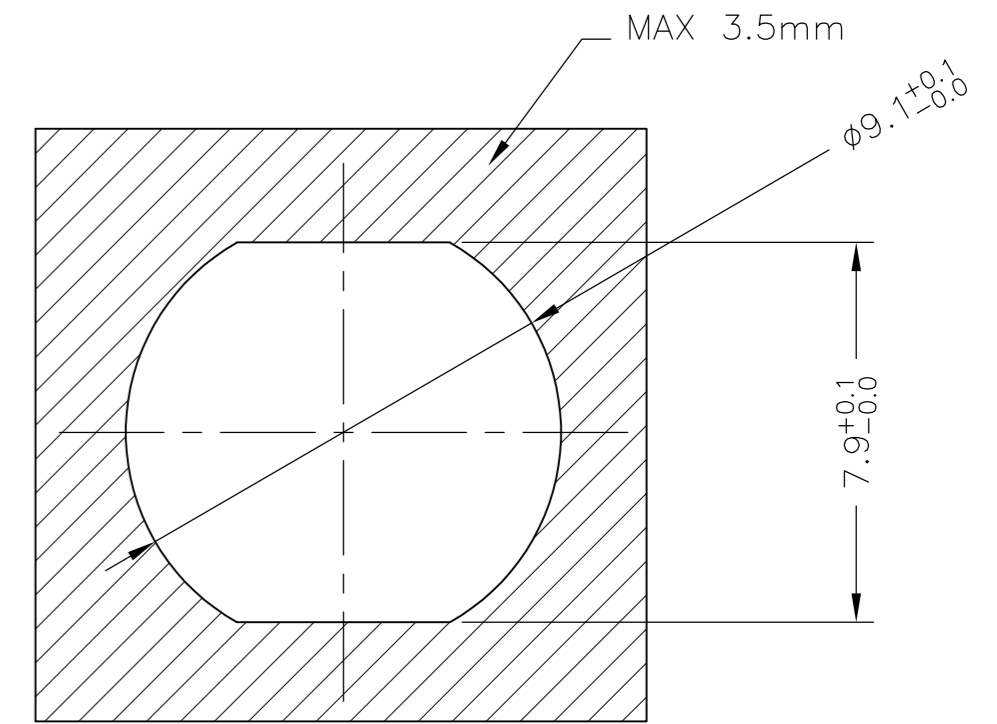
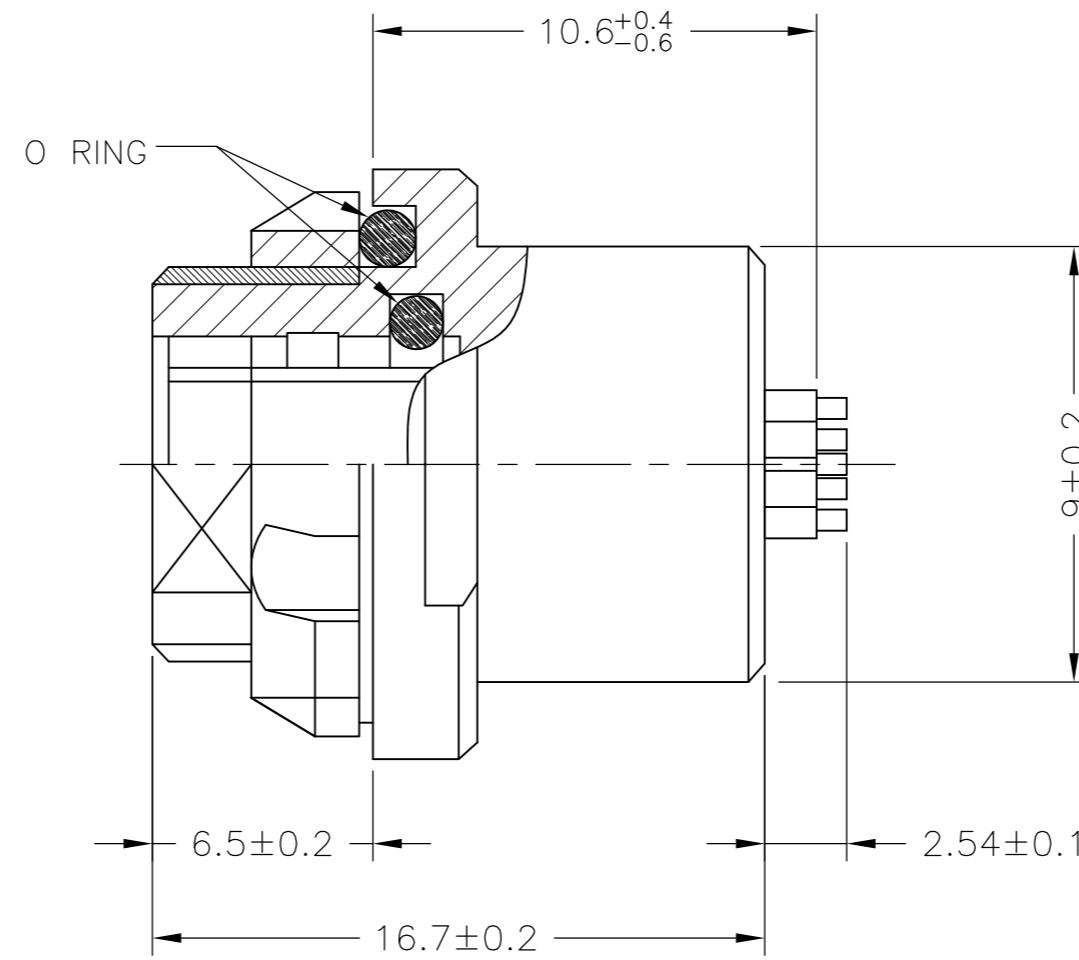
LOC		DIST		REVISIONS			
P	LTR	DESCRIPTION		DATE	DWN	APVD	
B		REV PER ECO-12-013349		20JUL12	PY	RG	



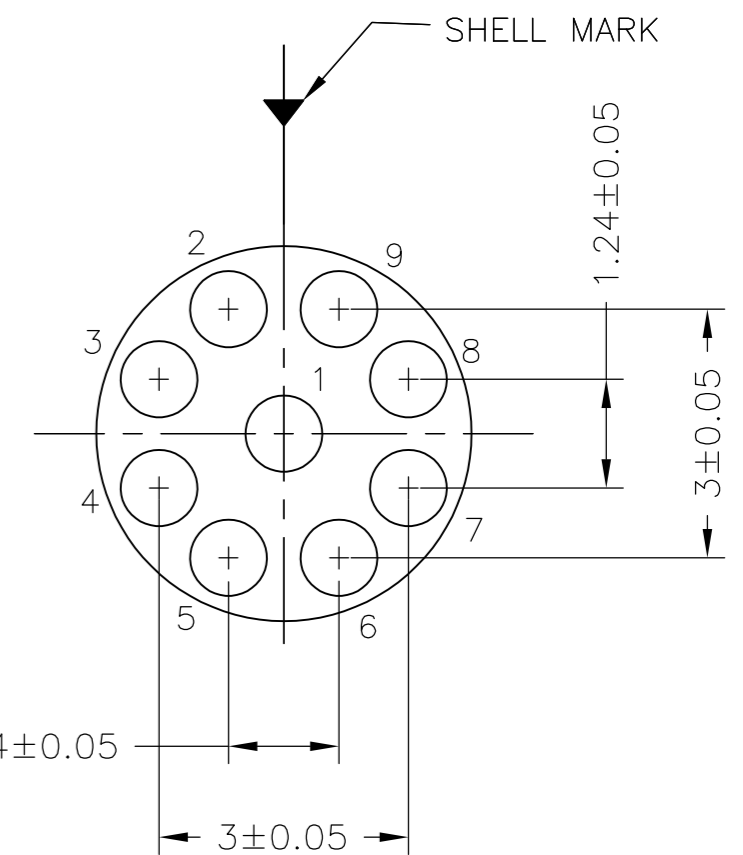
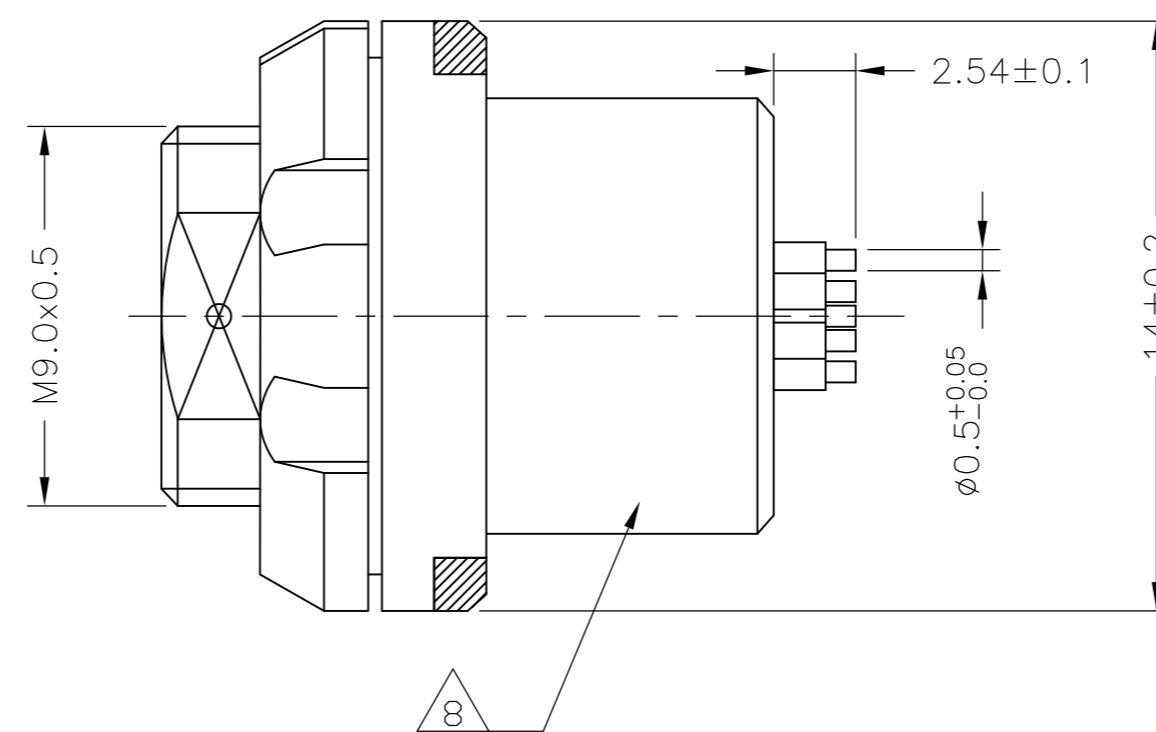
SINGLE POLARIZATION



DOUBLE POLARIZATION



PANEL CUTOUT



CAVITY IDENTIFICATION WHEN VIEWED FROM MATING FACE OF CONNECTOR

1. UNLESS OTHERWISE SPECIFIED DIMENSIONS TOLERANCE ARE ±0.2

2. DWV RATING: 875VAC @ SEA LEVEL

3. WORKING TEMPERATURE: -55°C ~+125°C

4 MATERIAL:
 CONTACT : COPPER ALLOY
 SHELL : COPPER ALLOY
 INSULATOR : PEEK
 O RING : SILICONE RUBBER

5 FINISH
 CONTACT: GOLD OVER NICKEL
 SHELL : BLACK CHROMIUM

6. WATER PROOF: 1M IMMERSION

7. WIRE SIZE: 28 AWG MAX.

8 THE PART IS MARKED WITH THE TE PART NUMBER, CHINA, DATE CODE AND LOT I.D.

1	CHROMIUM-BLACK	DOUBLE	PCB	2157950-2
1	CHROMIUM-BLACK	SINGLE	PCB	2157950-1
SHELL SIZE	FINISH	POLARIZATION	TERMINATION	TE CONNECTIVITY PART NUMBER

THIS DRAWING IS A CONTROLLED DOCUMENT.		DWN C.C THOMAS 06APR2012		
DIMENSIONS: mm		CHK R. GROSS 06APR2012		
TOLERANCES UNLESS OTHERWISE SPECIFIED:		APVD R. GROSS 06APR2012	NAME	
0 PLC ± -		PRODUCT SPEC	CIRCULAR HD RECEPTACLE WITH SOLDER CUP SOCKETS CONTACTS - 9 POS	
1 PLC ± -		APPLICATION SPEC	-	
2 PLC ± 0.20		WEIGHT	SIZE	CAGE CODE
3 PLC ± -		WEIGHT	A2	00779
4 PLC ± -		CUSTOMER DRAWING	DRAWING NO	RESTRICTED TO
ANGLES ± 3°		SCALE	C=2157950	-
FINISH		SCALE	NTS	SHEET 1 of 1
4		REV	B	