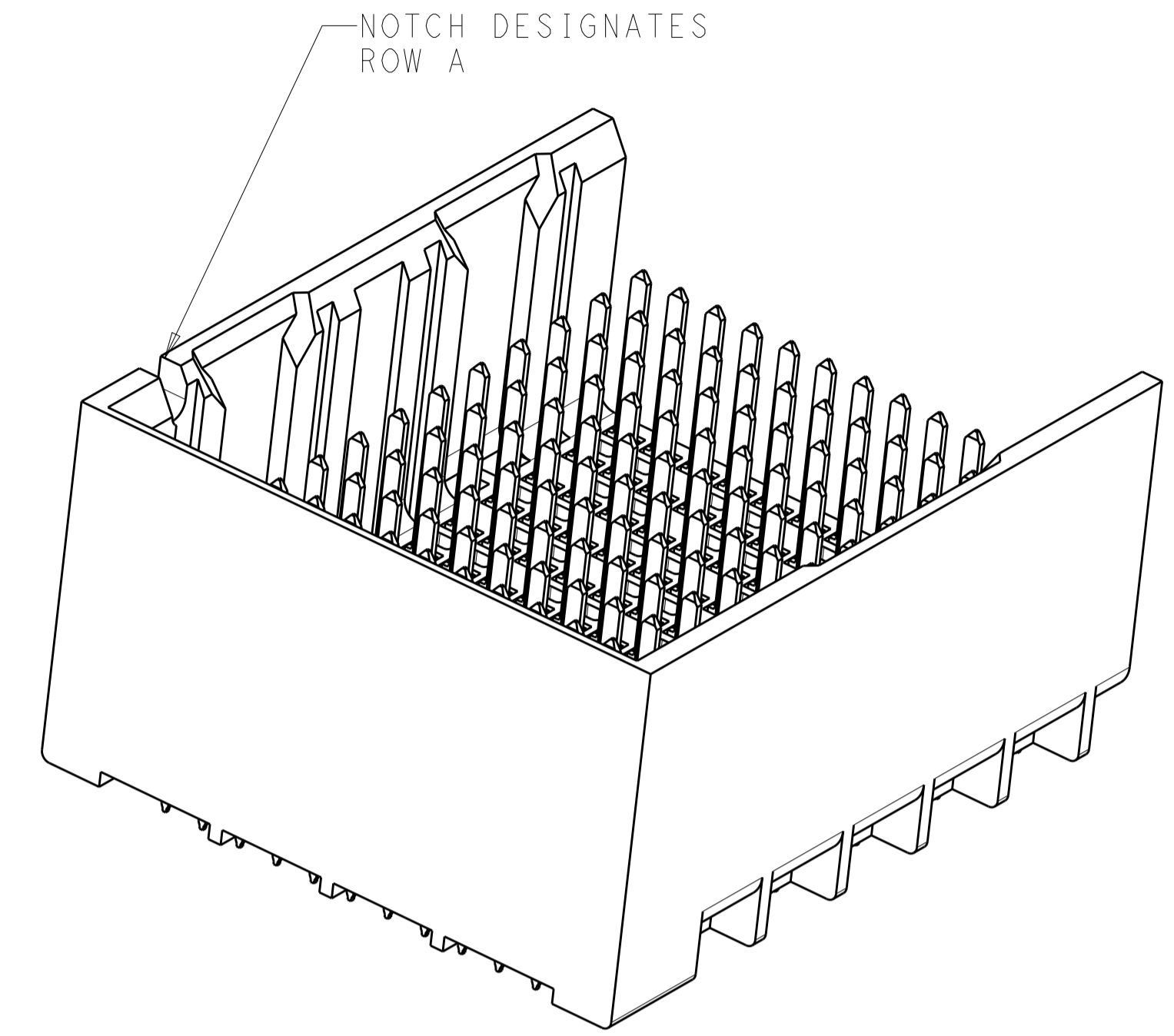
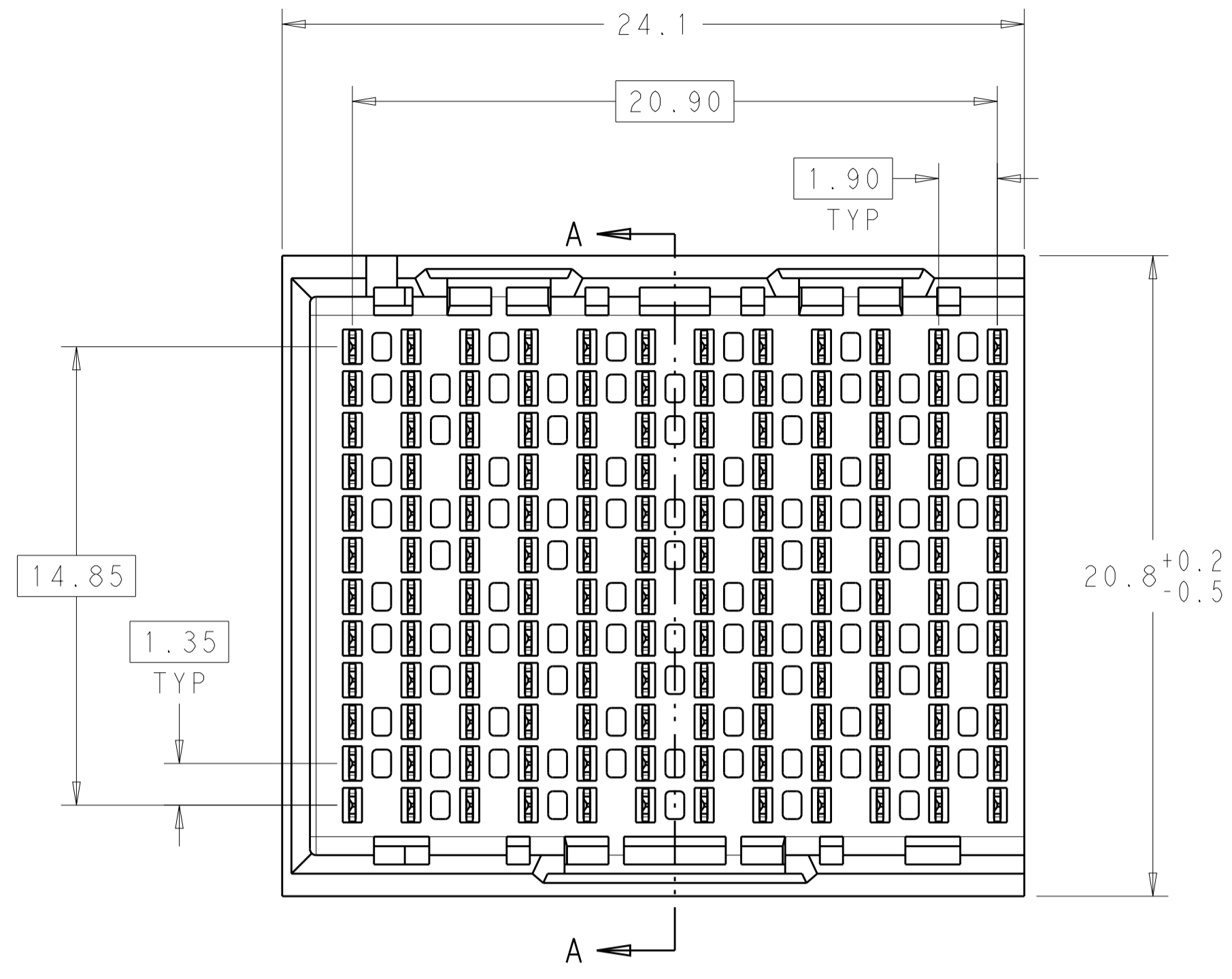
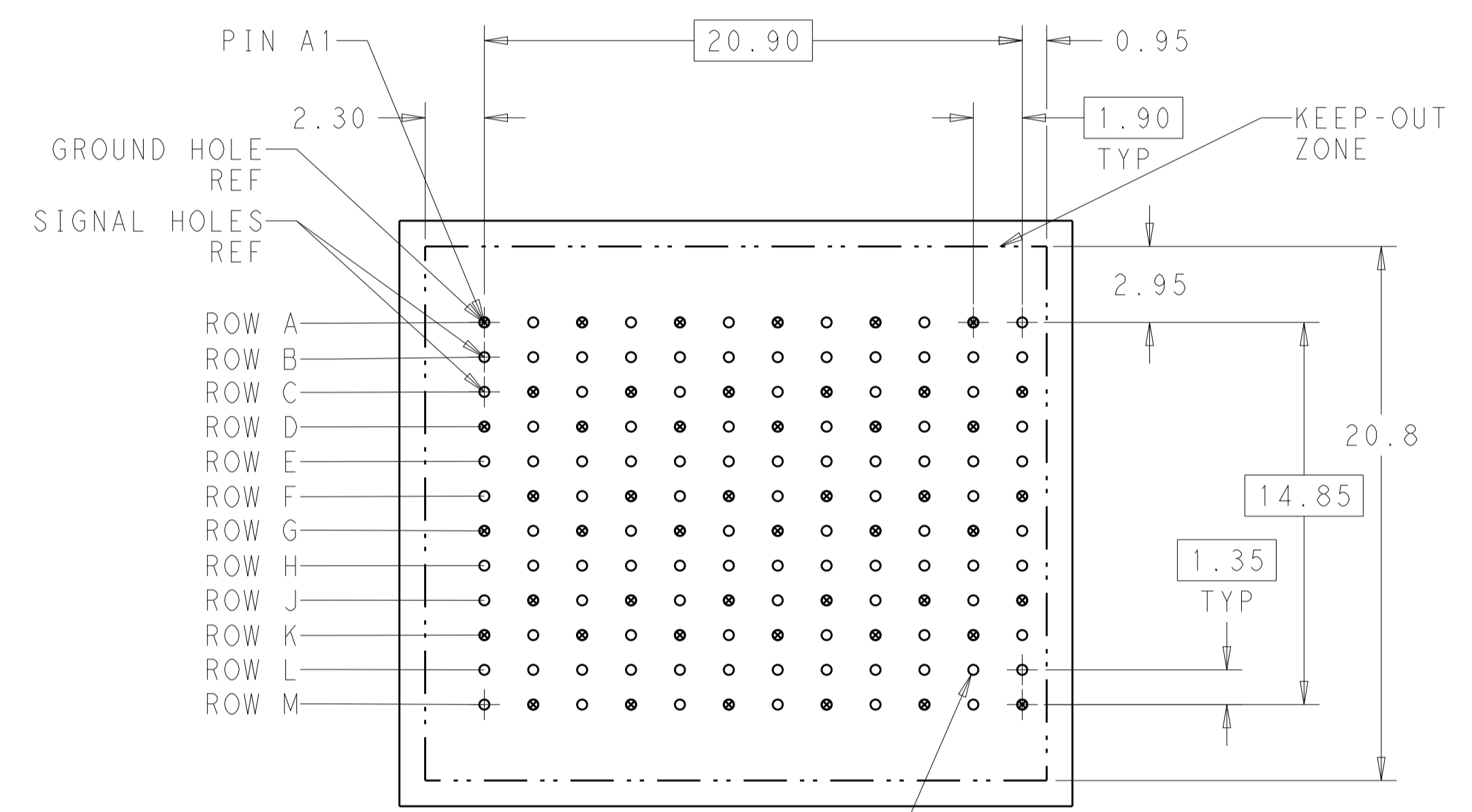


LOC		DIST		REVISIONS			
P	LTN	DESCRIPTION	DATE	DWN	APVD		
A1		REVISED PER ECO-15-001494	06FEB2015	AP	DD		



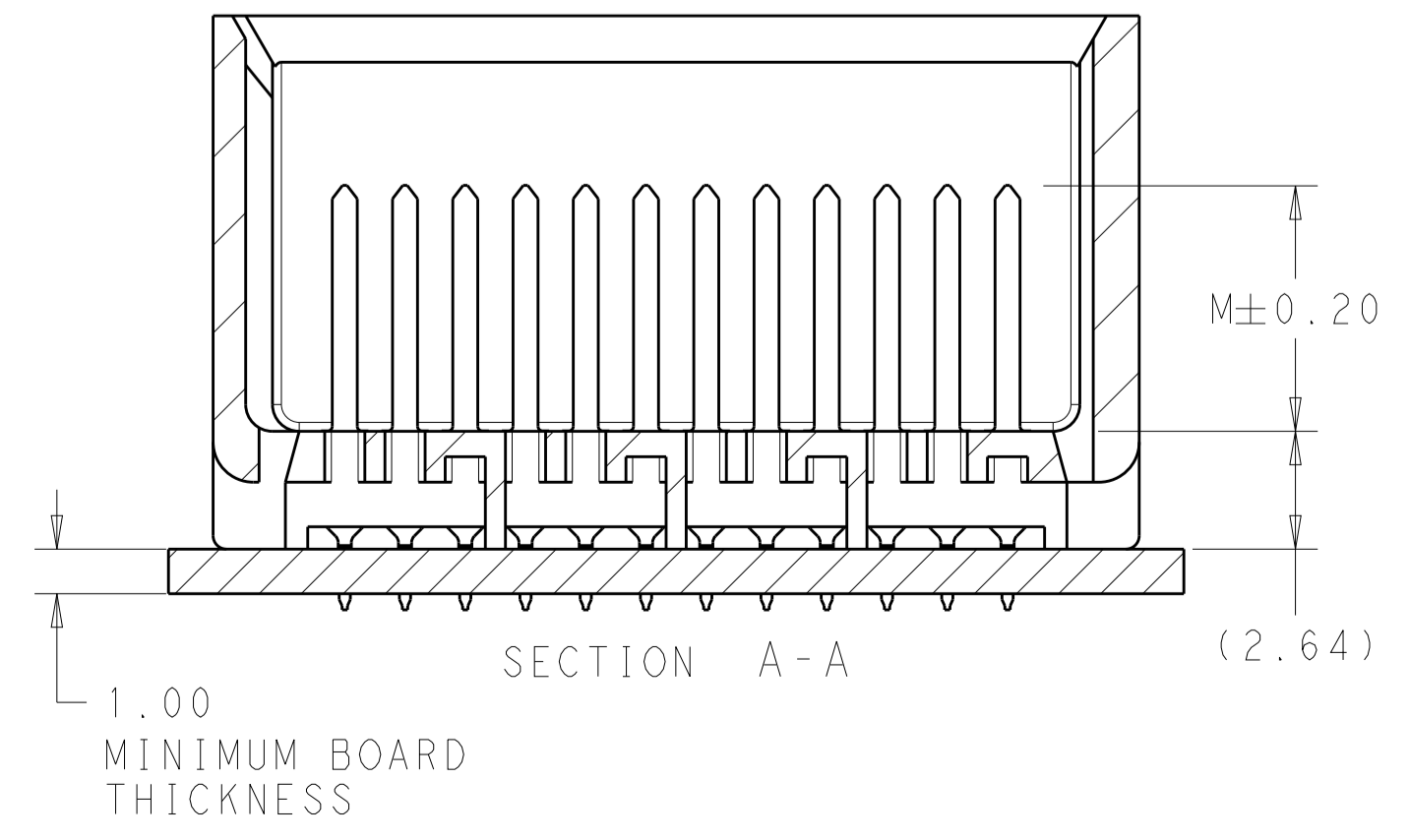
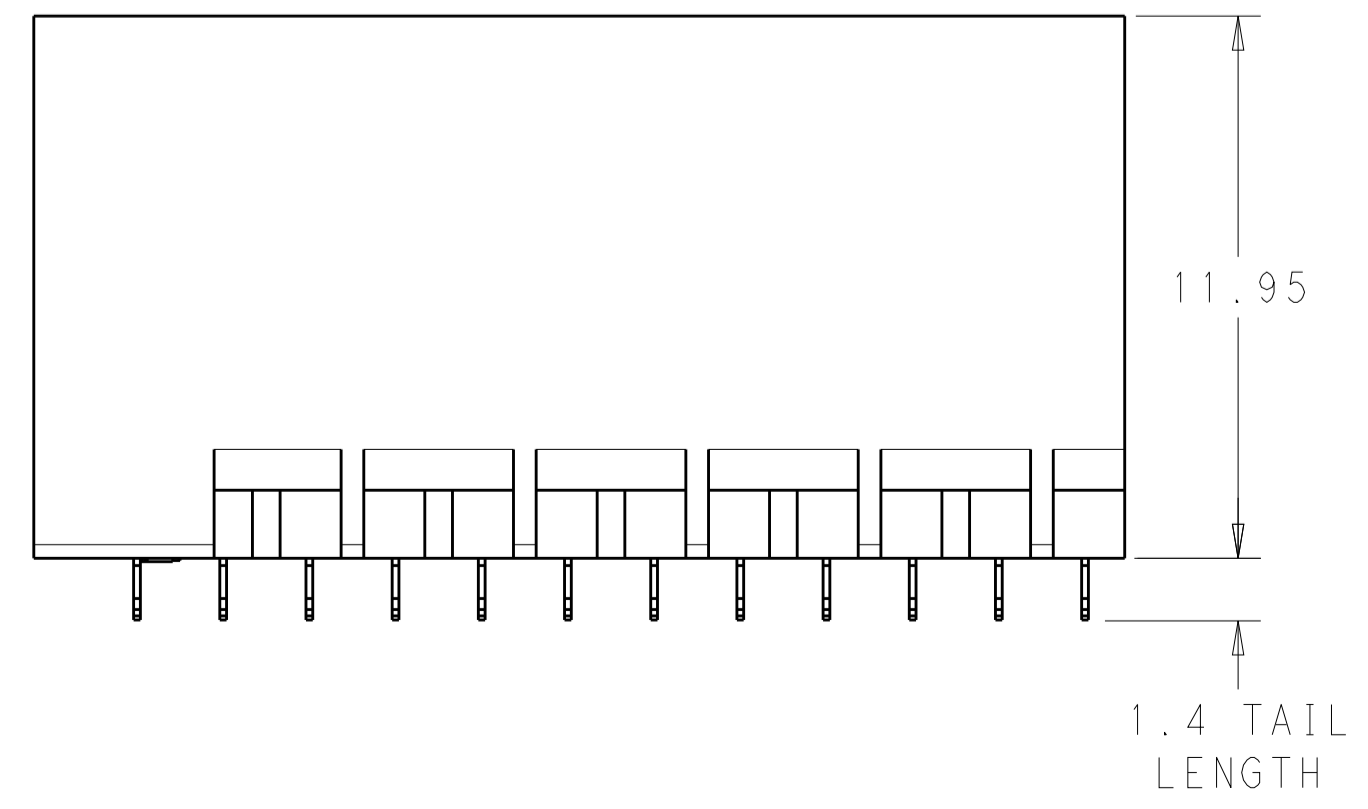
⚠ MATERIAL:
HOUSING: LCP, GLASS FILLED, UL94V-0.
TERMINALS: HIGH PERFORMANCE COPPER ALLOY.

⚠ FINISH:
30μ" MIN GOLD IN CONTACT AREA. SELECTIVE TIN ON PCB TAILS, NICKEL OVERALL.



144X $\varnothing 0.39 \pm 0.05$
 $\varnothing 0.10$
 PLATED THRU HOLE

UNGUIDED
 BACKPLANE HOLE PATTERN
 (CONNECTOR SIDE)



THIS DRAWING IS A CONTROLLED DOCUMENT.		DWN: B. CARBO 20JAN2012	TE Connectivity
DIMENSIONS: mm		CHK: D. YI 20JAN2012	
TOLERANCES UNLESS OTHERWISE SPECIFIED:		APVD: D. YI 20JAN2012	
0 PLC ± 1 PLC ±0.25 2 PLC ±0.13 3 PLC ± 4 PLC ± ANGLES ±		NAME: IMPACT, 4 PAIR, 12 COLUMN, HEADER UNGUIDED, LEFT END WALL SIGNAL MODULE, 0.39 PTH	
MATERIAL: SEE TABLE		PRODUCT SPEC: APPLICATION SPEC: SIZE: CAGE CODE: DRAWING NO: A100779C=2149991	RESTRICTED TO:
FINISH: SEE TABLE		WEIGHT: CUSTOMER DRAWING	SCALE: 6:1 SHEET 1 OF 2 REV: A1

THIS DRAWING IS UNPUBLISHED. RELEASED FOR PUBLICATION 20
 © COPYRIGHT 20 BY - ALL RIGHTS RESERVED.

LOC		DIST		REVISIONS			
P	LTN	DESCRIPTION	DATE	DMN	APVD		
-	-	SEE SHEET 1	-	-	-		

FINISH	DIM M	PART NUMBER
\triangle	5.5	2149991-3
\triangle	4.9	2149991-2
\triangle	4.5	2149991-1

REFER TO WWW.TE.COM
FOR PRODUCT AVAILABILITY

THIS DRAWING IS A CONTROLLED DOCUMENT.		DMN B. CARBO	20JAN2012		TE Connectivity
		CHK D. YI	20JAN2012		
DIMENSIONS:		APVD D. YI	20JAN2012	NAME IMPACT, 4 PAIR, 12 COLUMN, HEADER	
mm		PRODUCT SPEC		UNGUIDED, LEFT END WALL	
TOLERANCES UNLESS OTHERWISE SPECIFIED:		APPLICATION SPEC		SIGNAL MODULE, 0.39 PTH	
0 PLC ±		WEIGHT		SIZE CAGE CODE DRAWING NO RESTRICTED TO	
1 PLC ±0.25		-		A100779C=2149991	
2 PLC ±0.13		CUSTOMER DRAWING		SCALE 5:1 SHEET 2 OF 2 REV A1	
3 PLC ±					
4 PLC ±					
ANGLES ±					
FINISH SEE TABLE					