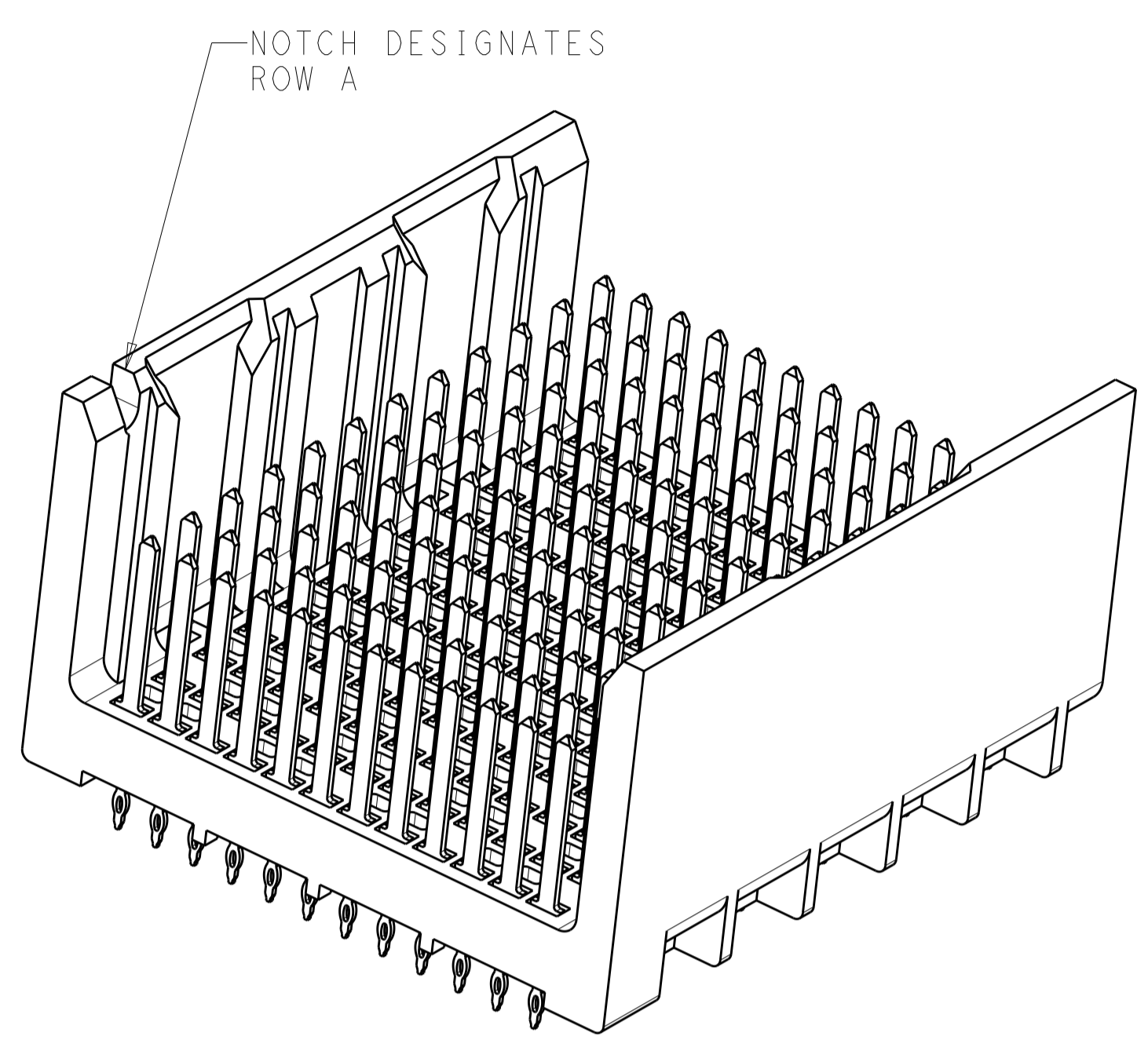
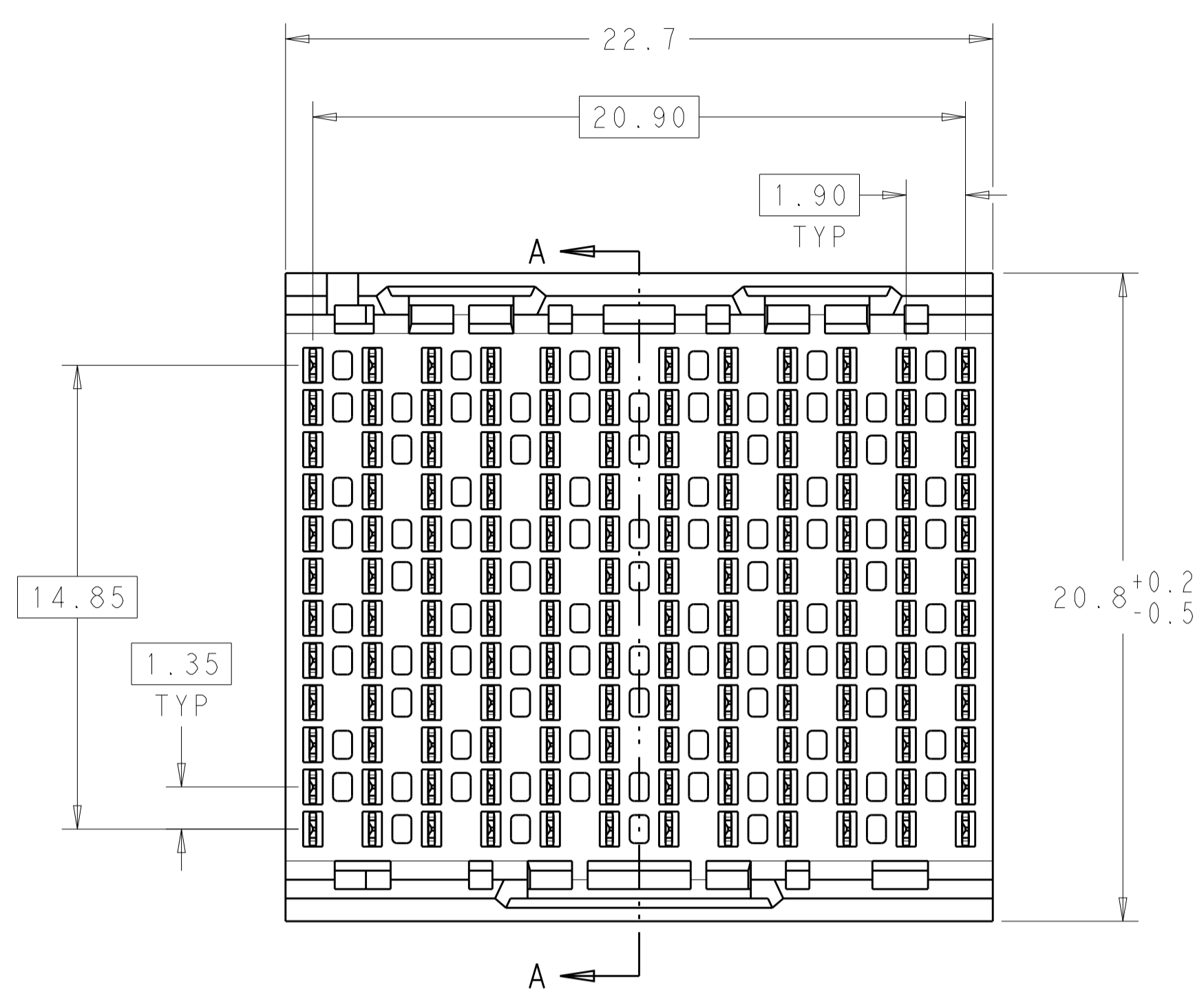
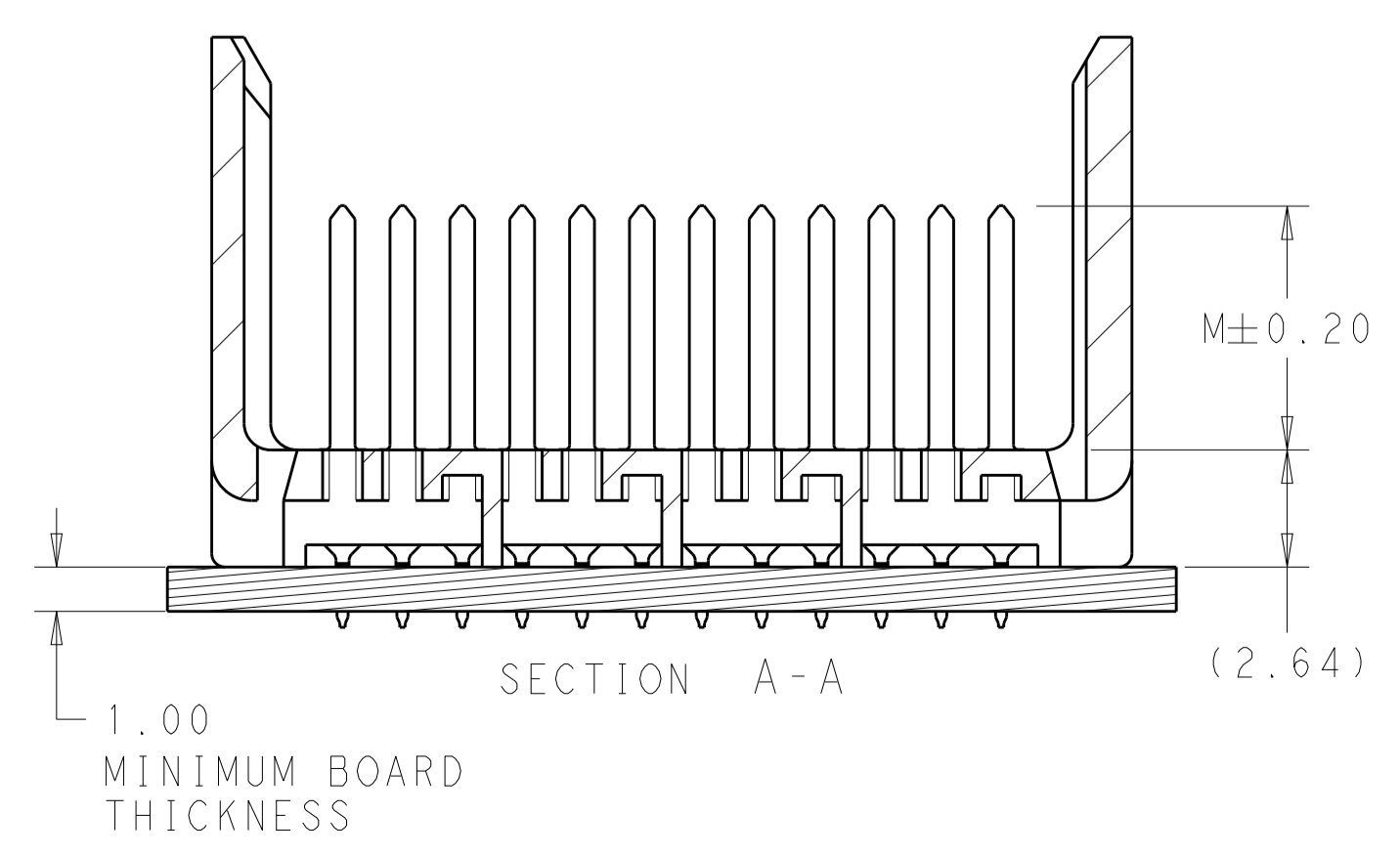
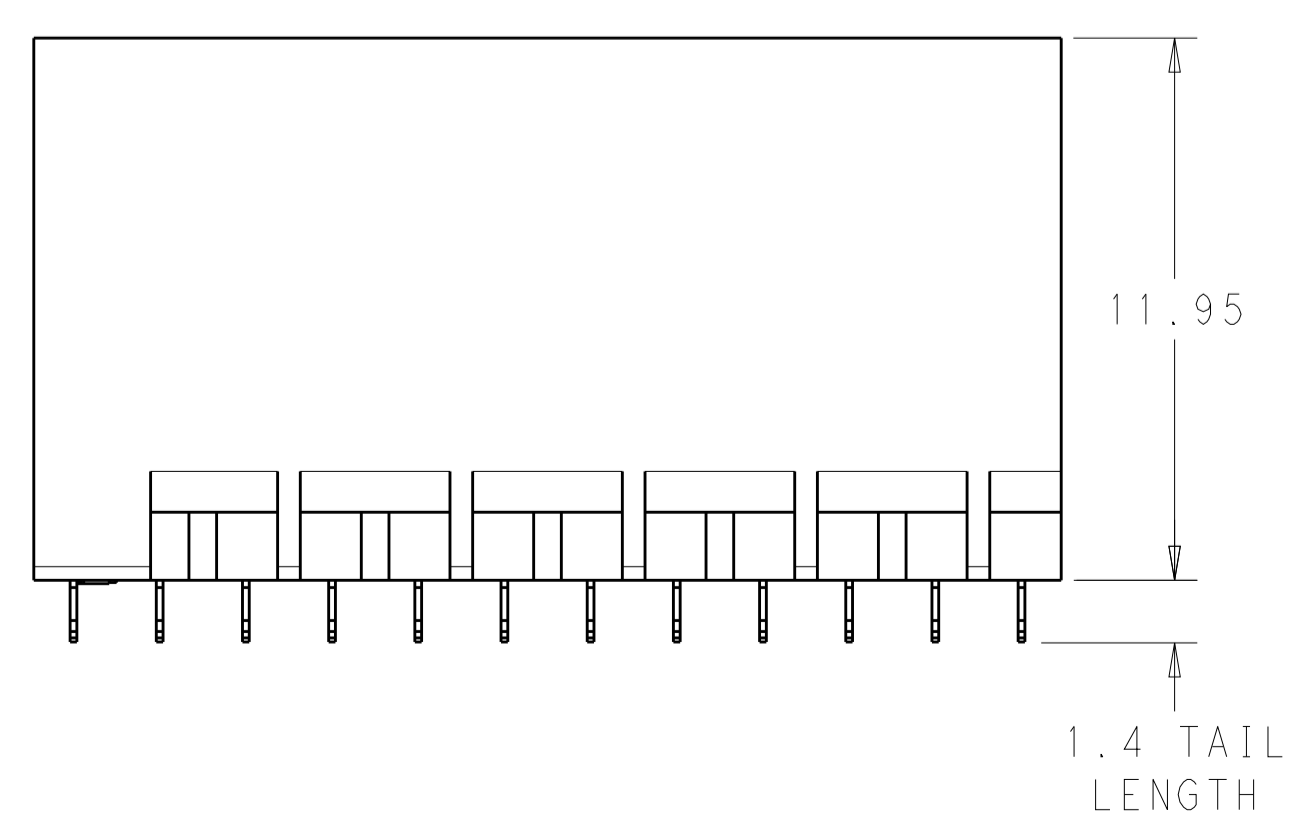
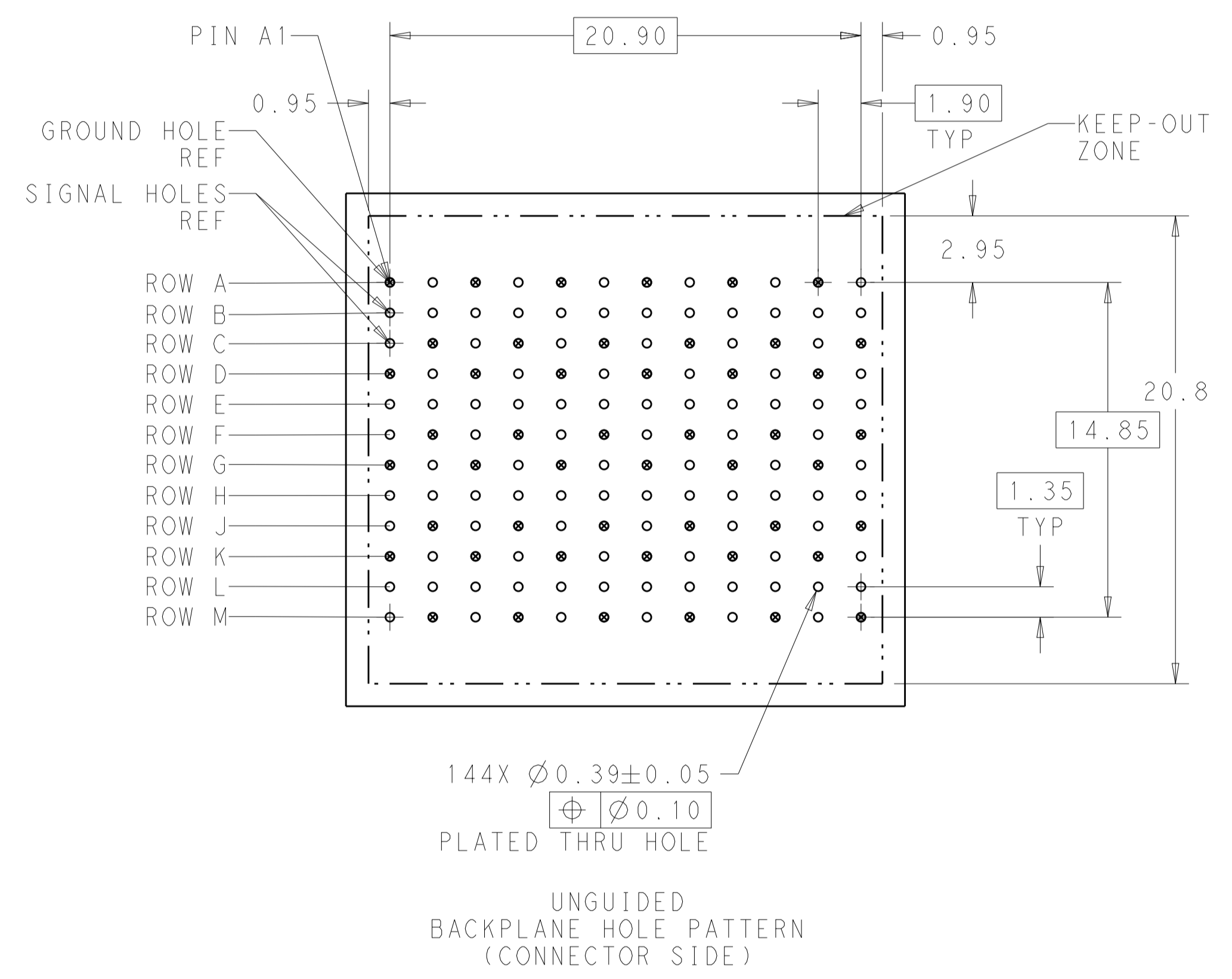


LOC		DIST		REVISIONS			
P	LTN	DESCRIPTION	DATE	DWN	APVD		
A1		REVISED PER ECO-15-001494	06FEB2015	AP	DD		



⚠ MATERIAL:
 HOUSING: LCP, GLASS FILLED, UL94V-0.
 TERMINALS: HIGH PERFORMANCE COPPER ALLOY.

⚠ FINISH:
 30μ" MIN GOLD IN CONTACT AREA. SELECTIVE TIN
 ON PCB TAILS, NICKEL OVERALL.




THIS DRAWING IS A CONTROLLED DOCUMENT.		DWN: B. CARBO 20JAN2012	TE Connectivity
DIMENSIONS: mm		CHK: D. YI 20JAN2012	
TOLERANCES UNLESS OTHERWISE SPECIFIED:		APVD: D. YI 20JAN2012	
0 PLC ± 1 PLC ±0.25 2 PLC ±0.13 3 PLC ± 4 PLC ± ANGLES ±		NAME: IMPACT, 4 PAIR, 12 COLUMN, HEADER PRODUCT SPEC: UNGUIDED, OPEN END WALL APPLICATION SPEC: SIGNAL MODULE, 0.39 PTH	
MATERIAL: ⚠	FINISH: SEE TABLE	WEIGHT: -	SIZE: A1 CAGE CODE: 2149990 DRAWING NO: 2149990 CUSTOMER DRAWING
		SCALE: 6:1	SHEET: 1 OF 2 REV: A1

THIS DRAWING IS UNPUBLISHED. RELEASED FOR PUBLICATION 20
 © COPYRIGHT 20 BY - ALL RIGHTS RESERVED.

LOC		DIST		REVISIONS			
P	LTN	DESCRIPTION	DATE	DWN	APVD		
-		SEE SHEET 1	-	-	-		

FINISH	DIM M	PART NUMBER
\triangle	5.5	2149990-3
\triangle	4.9	2149990-2
\triangle	4.5	2149990-1

REFER TO WWW.TE.COM
 FOR PRODUCT AVAILABILITY

THIS DRAWING IS A CONTROLLED DOCUMENT.		DWN B. CARBO	20JAN2012				
DIMENSIONS:		CHK D. YI	20JAN2012				
mm		APVD D. YI	20JAN2012				
0 PLC ± 1 PLC ±0.25 2 PLC ±0.13 3 PLC ± 4 PLC ± ANGLES ±		PRODUCT SPEC		NAME IMPACT, 4 PAIR, 12 COLUMN, HEADER UNGUIDED, OPEN END WALL SIGNAL MODULE, 0.39 PTH			
FINISH SEE TABLE		APPLICATION SPEC					
MATERIAL		WEIGHT		SIZE	CAGE CODE	DRAWING NO	RESTRICTED TO
-				A1	00779	2149990	-
		CUSTOMER DRAWING		SCALE	5:1	SHEET	2 OF 2
				REV	A1		