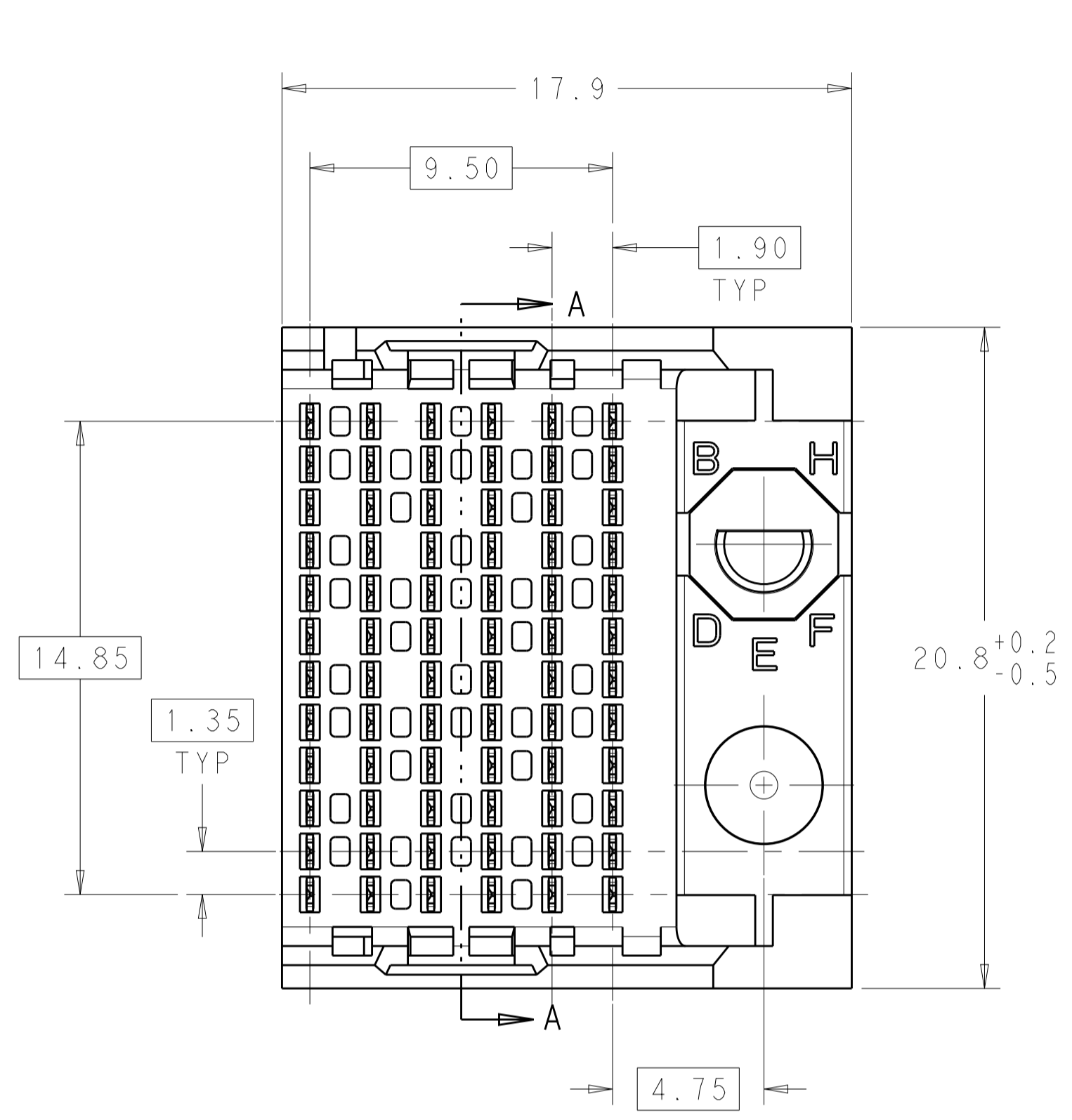
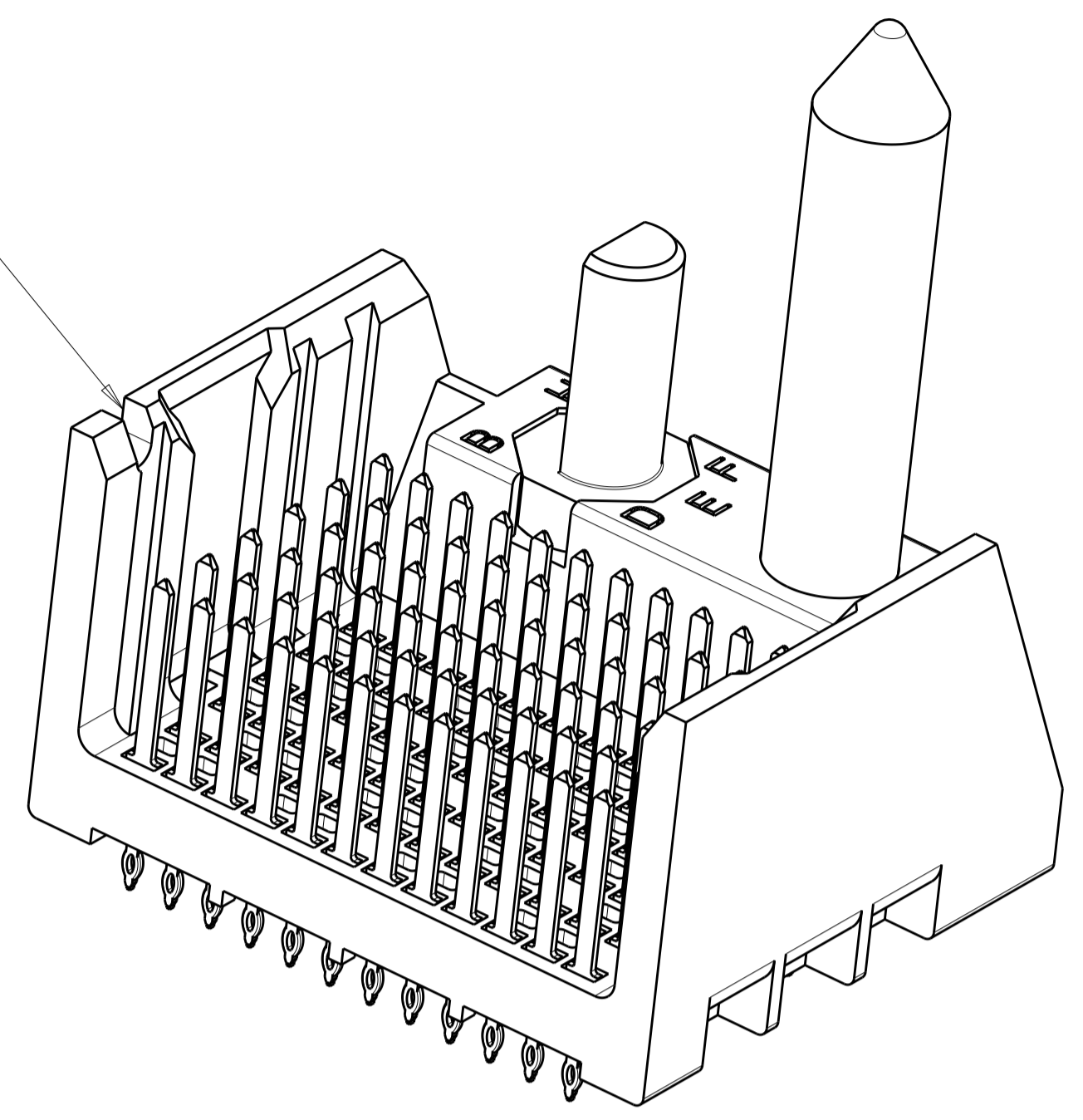


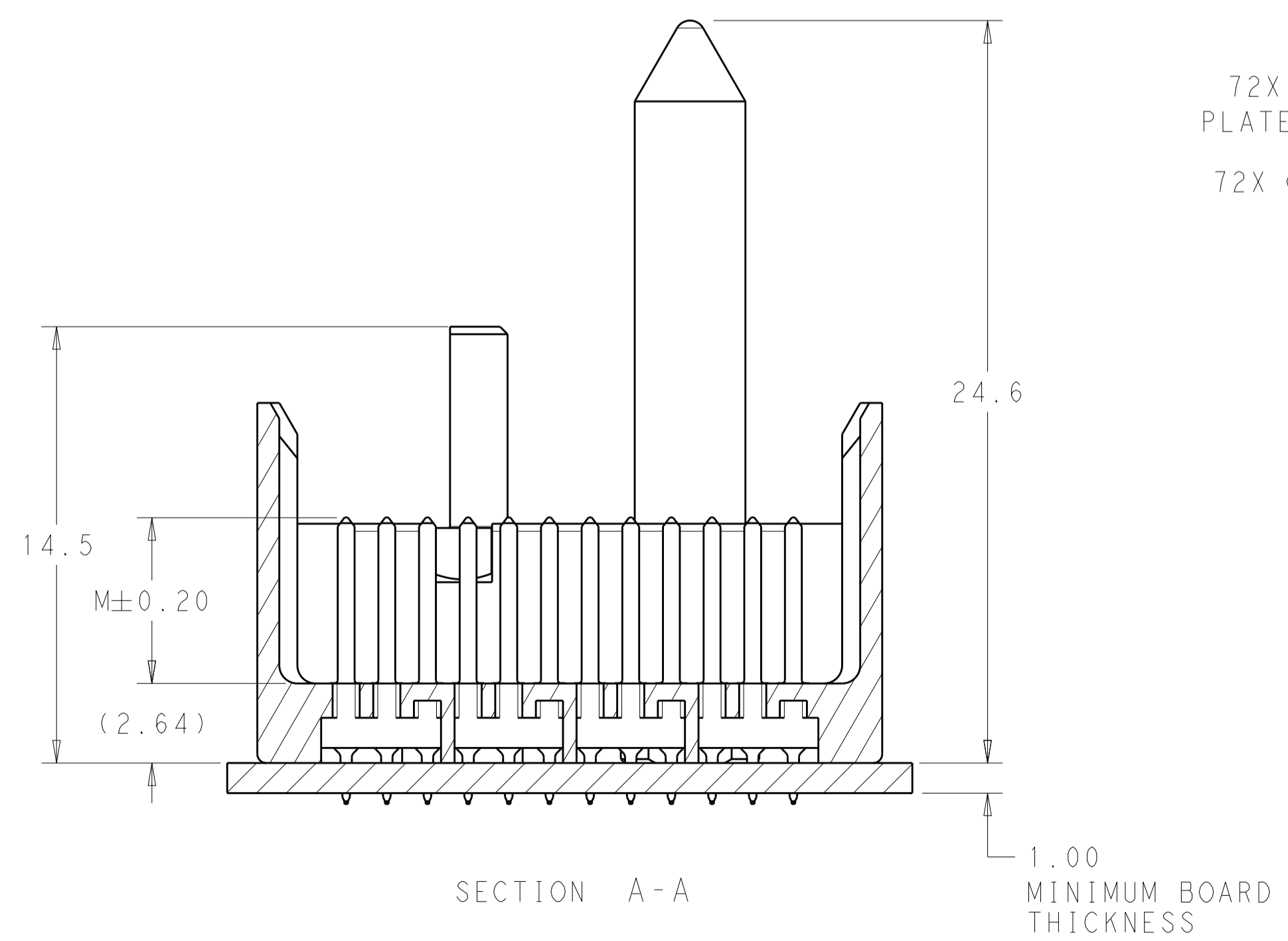
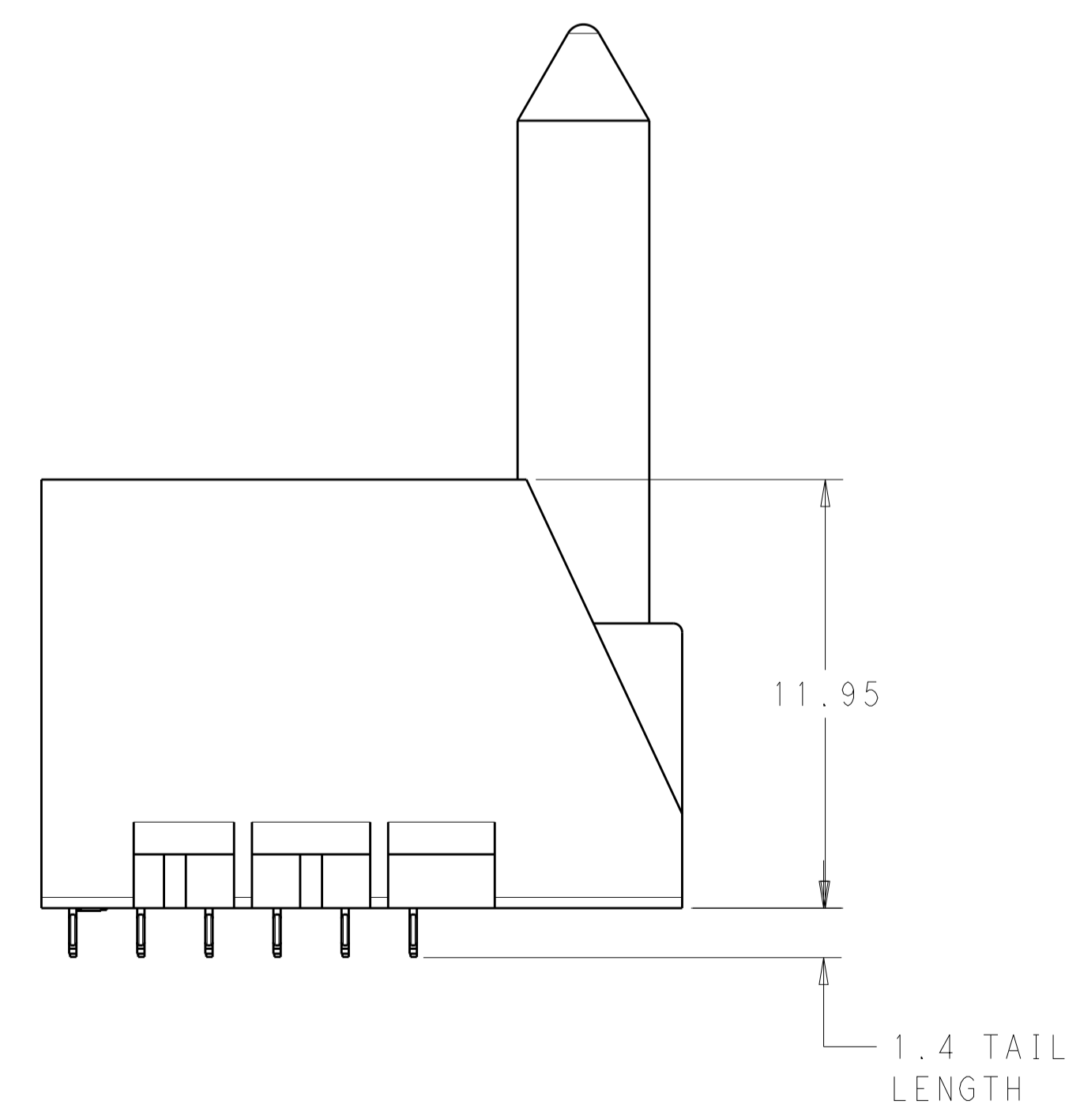
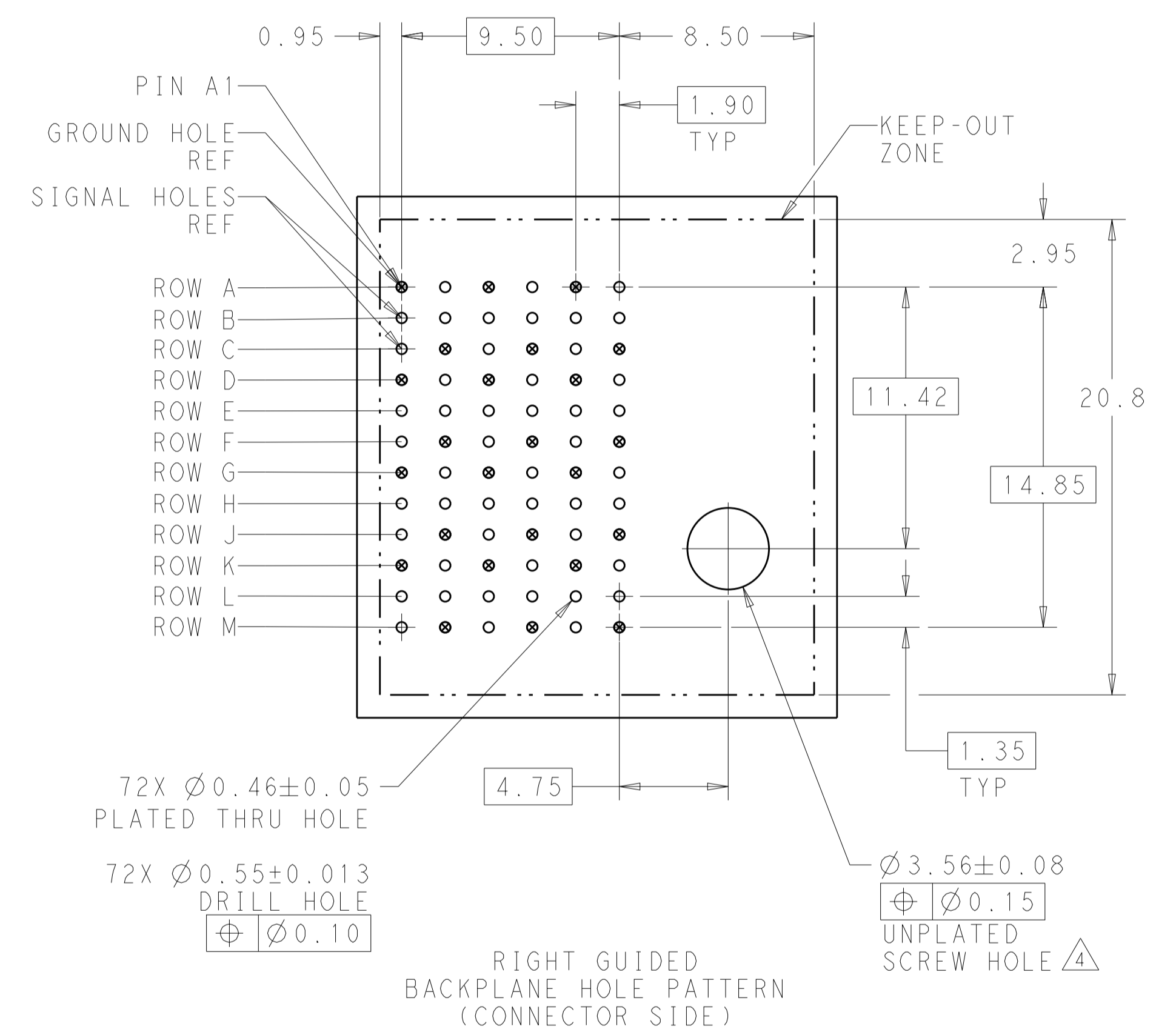
LOC		DIST		REVISIONS			
AD	00	P	LTN	DESCRIPTION	DATE	DWN	APVD
		A1		REVISED PER ECO-15-001494	06FEB2015	AP	DD



NOTCH DESIGNATES ROW A



- 1 MATERIAL:
HOUSING: LCP, GLASS FILLED, UL94V-0.
TERMINALS: HIGH PERFORMANCE COPPER ALLOY.
- 2 FINISH:
30μ" MIN GOLD IN CONTACT AREA. SELECTIVE TIN ON PCB TAILS, NICKEL OVERALL.
- 3. SCREWS PACKAGED IN END OF PACKAGING TUBE.
- 4 FOR GROUNDED GUIDE PIN USE $\varnothing 3.56 \pm 0.08$ PTH, $\varnothing 3.66$ DRILL, AND $\varnothing 6.5$ PAD.
- 5. KEYING PIN SHOWN IN POSITION A, SEE KEYING CHART ON SHEET 2 FOR OTHER POSITIONS.



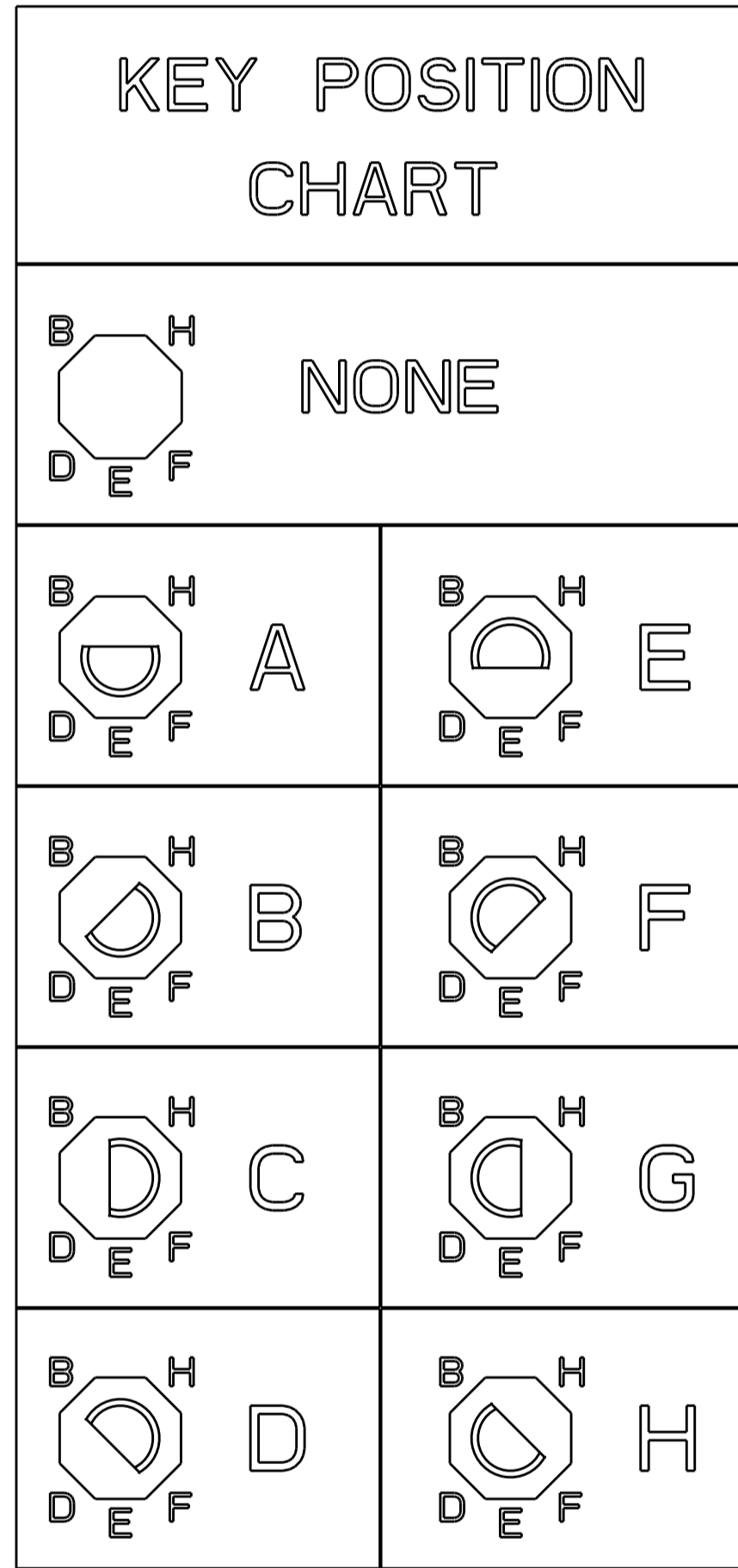
THIS DRAWING IS A CONTROLLED DOCUMENT.		DWN: R. GRZYBOWSKI 06JUN2011	TE Connectivity
DIMENSIONS: mm		CHK: J. EARY 06JUN2011	
TOLERANCES UNLESS OTHERWISE SPECIFIED:		APVD: J. EARY 06JUN2011	NAME: IMPACT, 4 PAIR, 6 COLUMN, HEADER RIGHT GUIDED, OPEN END WALL SIGNAL MODULE, 0.46 PTH
0 PLC ±0.25		PRODUCT SPEC	
1 PLC ±0.13		APPLICATION SPEC	SIZE: A1 CAGE CODE: 2149988 DRAWING NO: 2149988
2 PLC ±0.13		RESTRICTED TO	
3 PLC ±0.13		SCALE: 6:1	SHEET 1 OF 2 REV A1
4 PLC ±0.13		CUSTOMER DRAWING	
ANGLES ±0.13			
FINISH: SEE TABLE			

THIS DRAWING IS UNPUBLISHED. RELEASED FOR PUBLICATION 20
 © COPYRIGHT 20 BY - ALL RIGHTS RESERVED.

LOC		DIST		REVISIONS			
AD	00	REV	DATE	DESCRIPTION	DATE	BY	APPV
-	-	-	-	SEE SHEET 1	-	-	-
-	-	-	-	-	-	-	-
-	-	-	-	-	-	-	-

	H	5.5	8-2149988-3
	H	4.9	8-2149988-2
	H	4.5	8-2149988-1
	G	5.5	7-2149988-3
	G	4.9	7-2149988-2
	G	4.5	7-2149988-1
	F	5.5	6-2149988-3
	F	4.9	6-2149988-2
	F	4.5	6-2149988-1
	E	5.5	5-2149988-3
	E	4.9	5-2149988-2
	E	4.5	5-2149988-1
	D	5.5	4-2149988-3
	D	4.9	4-2149988-2
	D	4.5	4-2149988-1
	C	5.5	3-2149988-3
	C	4.9	3-2149988-2
	C	4.5	3-2149988-1
	B	5.5	2-2149988-3
	B	4.9	2-2149988-2
	B	4.5	2-2149988-1
	A	5.5	1-2149988-3
	A	4.9	1-2149988-2
	A	4.5	1-2149988-1
	-	5.5	2149988-3
	-	4.9	2149988-2
	-	4.5	2149988-1
FINISH	KEY POSITION	DIM M	PART NUMBER

REFER TO WWW.TE.COM
FOR PRODUCT AVAILABILITY



THIS DRAWING IS A CONTROLLED DOCUMENT.		OWN: R. GRZYBOWSKI 06JUN2011	
DIMENSIONS: mm		CHK: J. EARY 06JUN2011	
		TOLERANCES UNLESS OTHERWISE SPECIFIED:	NAME: IMPACT, 4 PAIR, 6 COLUMN, HEADER RIGHT GUIDED, OPEN END WALL SIGNAL MODULE, 0.46 PTH
MATERIAL: -		APVD: J. EARY 06JUN2011	SIZE: A1
FINISH: SEE TABLE		PRODUCT SPEC: -	CAGE CODE: C=2149988
CUSTOMER DRAWING		APPLICATION SPEC: -	DRAWING NO: -
SCALE: 5:1		WEIGHT: -	RESTRICTED TO: -
SHEET 2 OF 2		REVISION: A1	