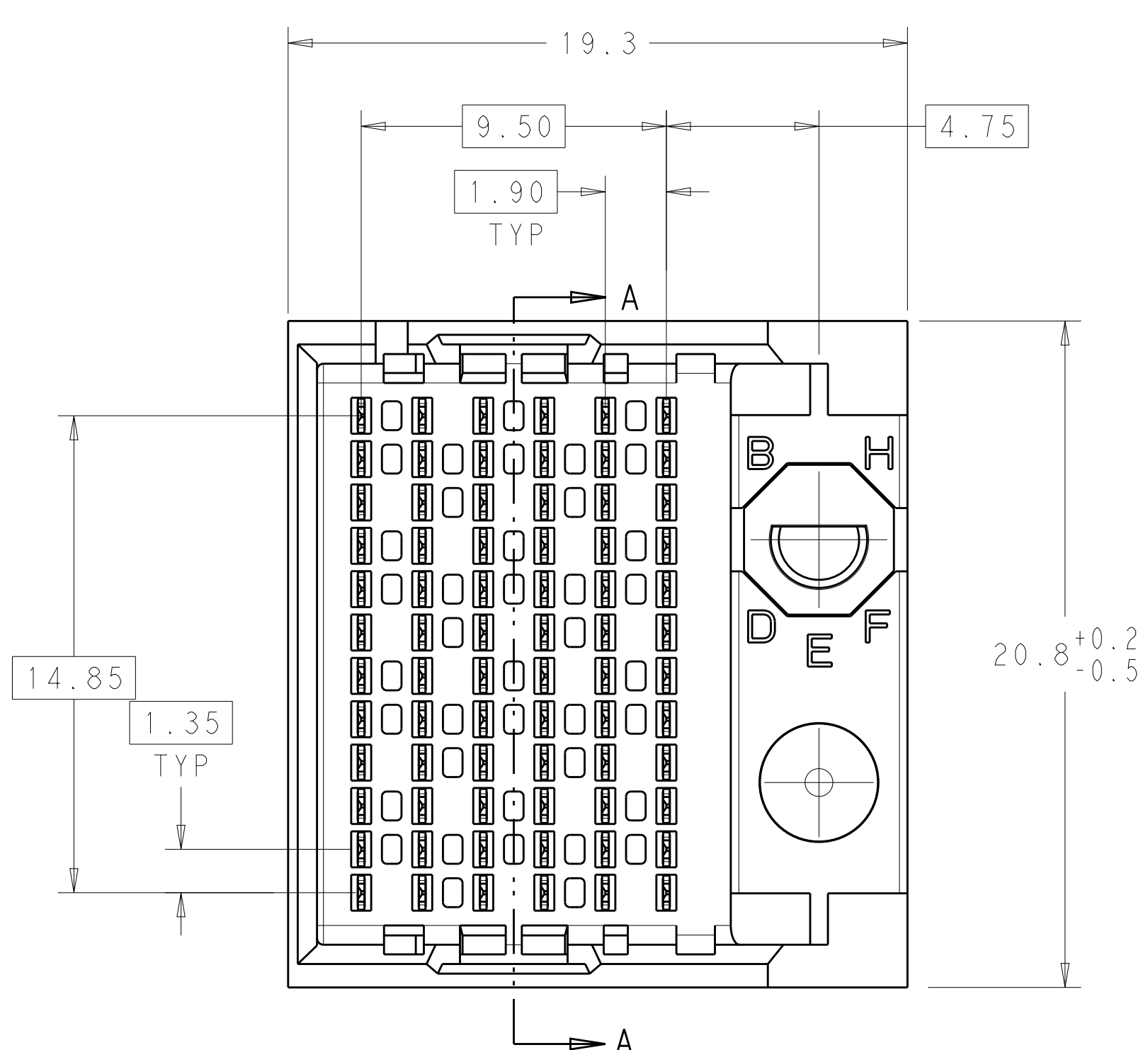
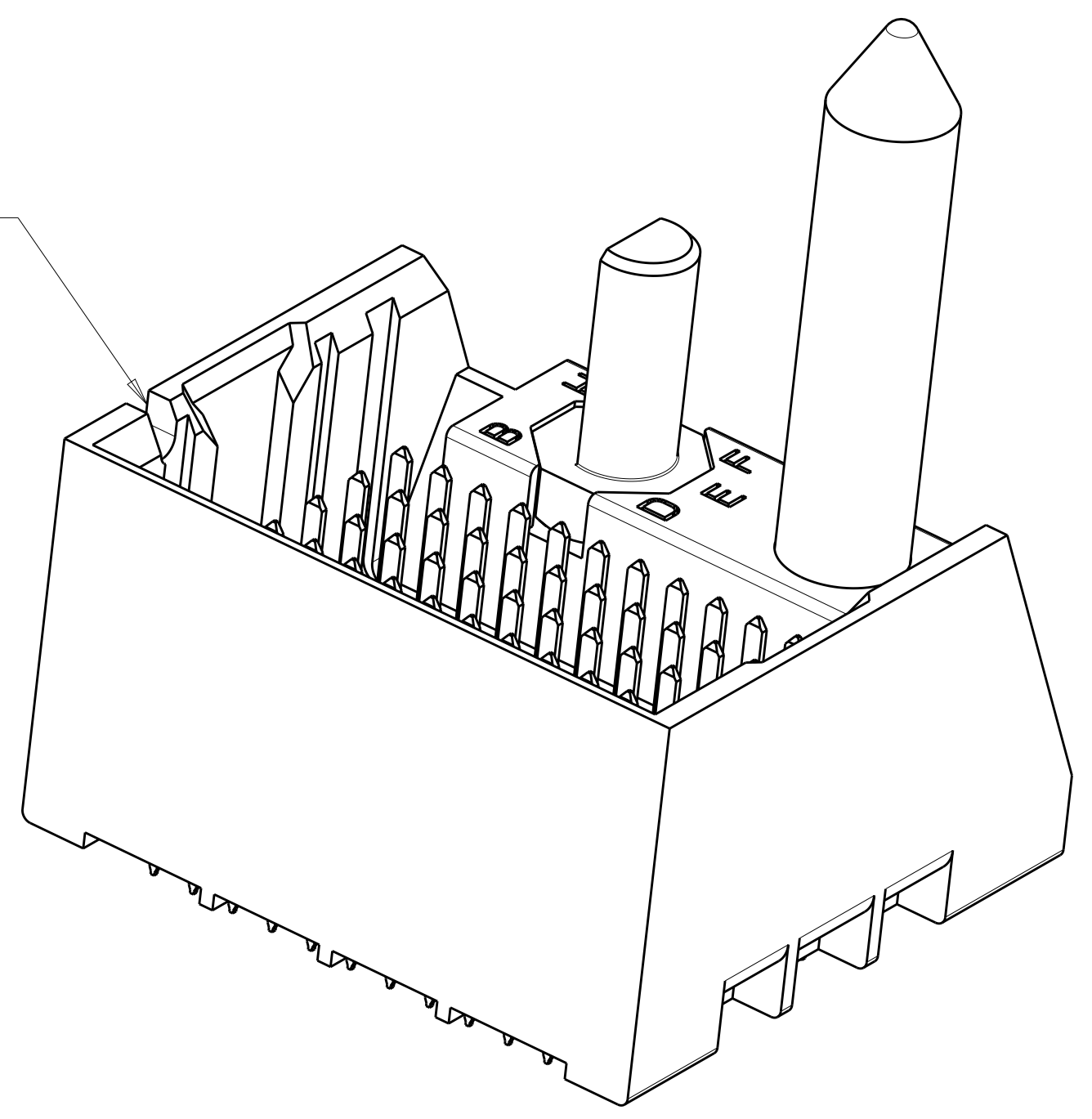


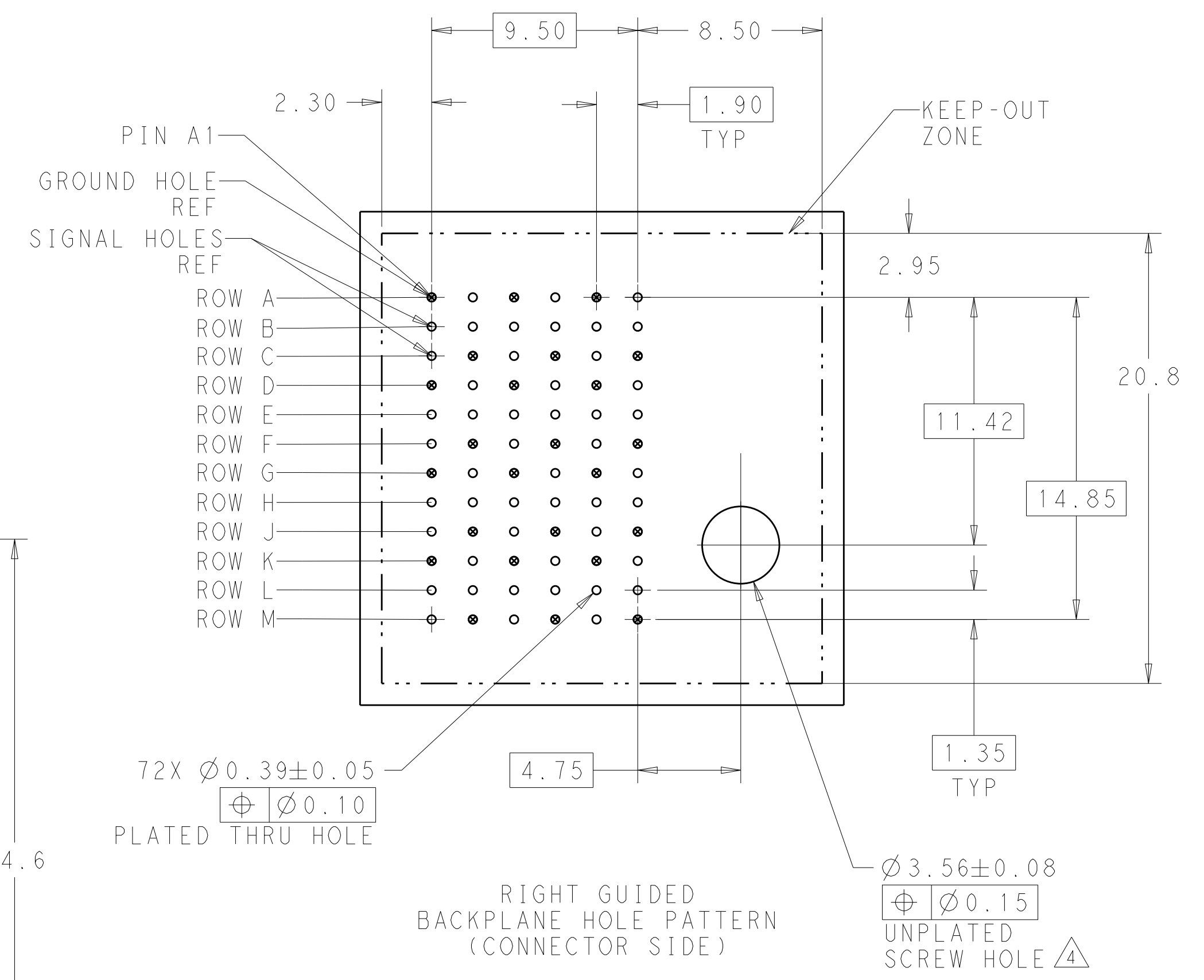
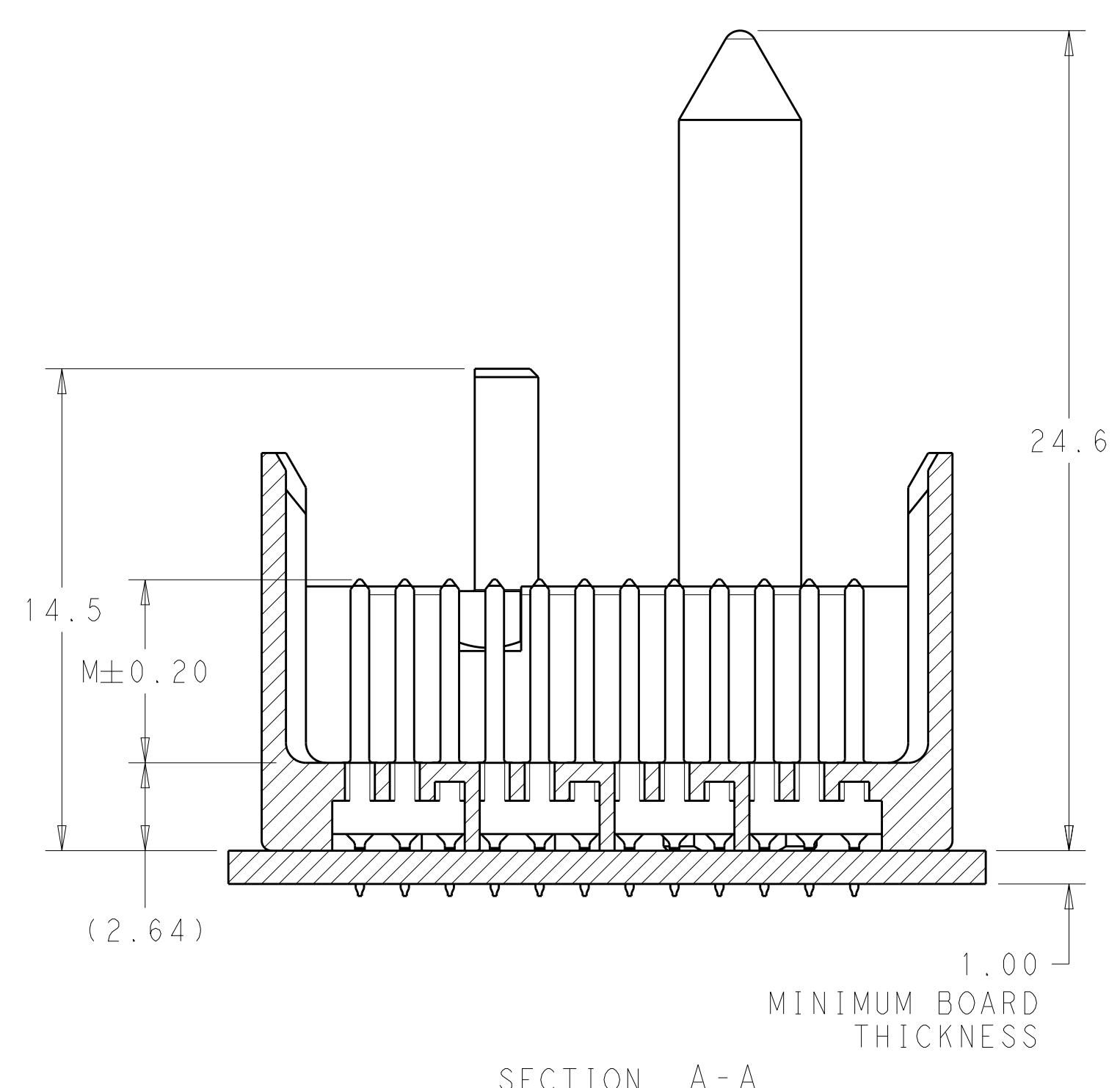
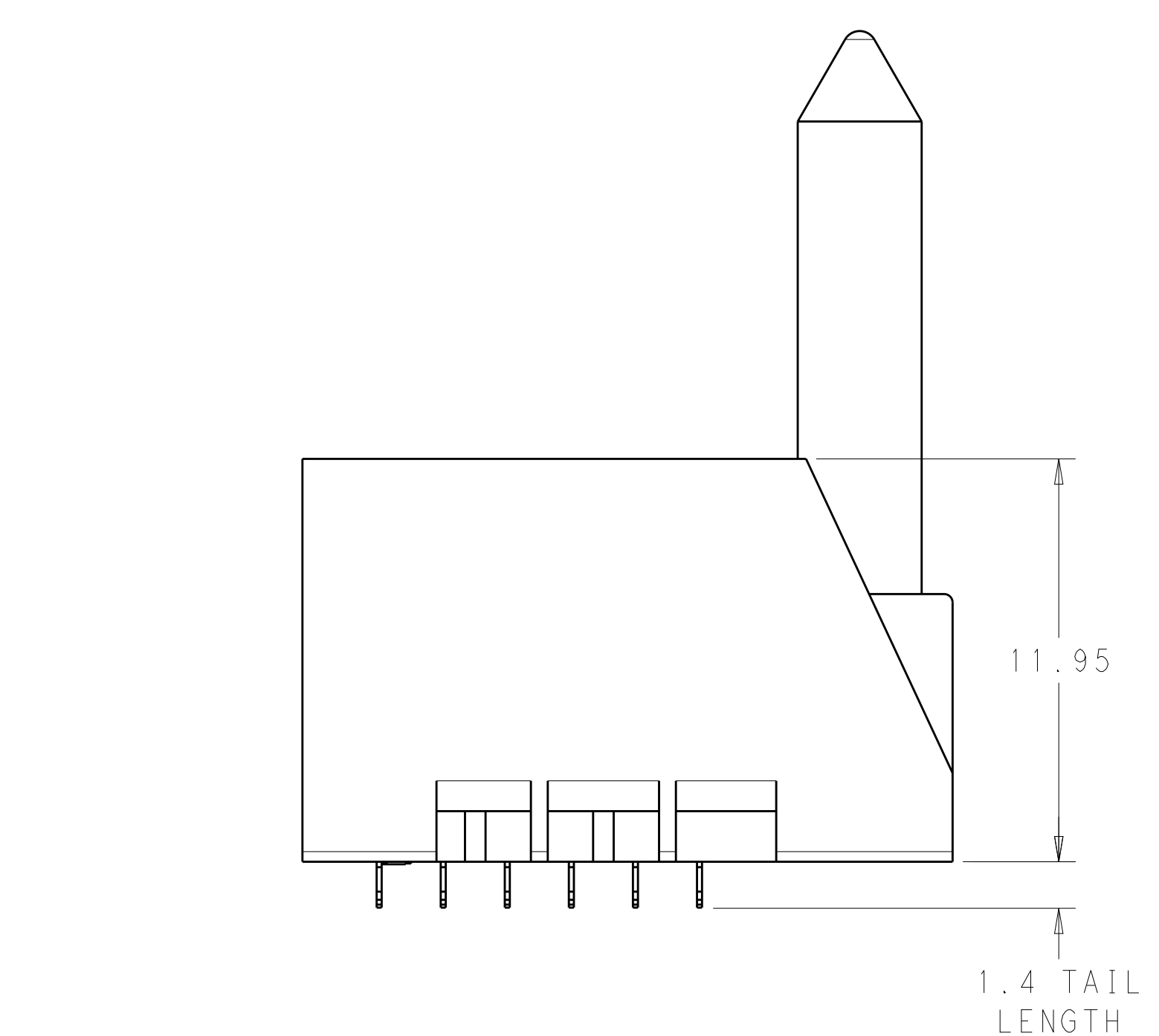
LOC		DIST		REVISIONS			
P	LTN	DATE	DMN	APVD			
B1		REVISED PER ECO-15-001494	06FEB2015	AP	DD		



NOTCH DESIGNATES ROW A



- △ MATERIAL:  
HOUSING: LCP, GLASS FILLED, UL94V-0.  
TERMINALS: HIGH PERFORMANCE COPPER ALLOY.
- △ FINISH:  
30μ" MIN GOLD IN CONTACT AREA. SELECTIVE TIN ON PCB TAILS, NICKEL OVERALL.
- 3. SCREWS PACKAGED IN END OF PACKAGING TUBE.
- △ FOR GROUNDED GUIDE PIN USE Ø3.56±0.08 PTH, Ø3.66 DRILL, AND Ø6.5 PAD.
- 5. KEYING PIN SHOWN IN POSITION A, SEE KEYING CHART ON SHEET 2 FOR OTHER POSITIONS.

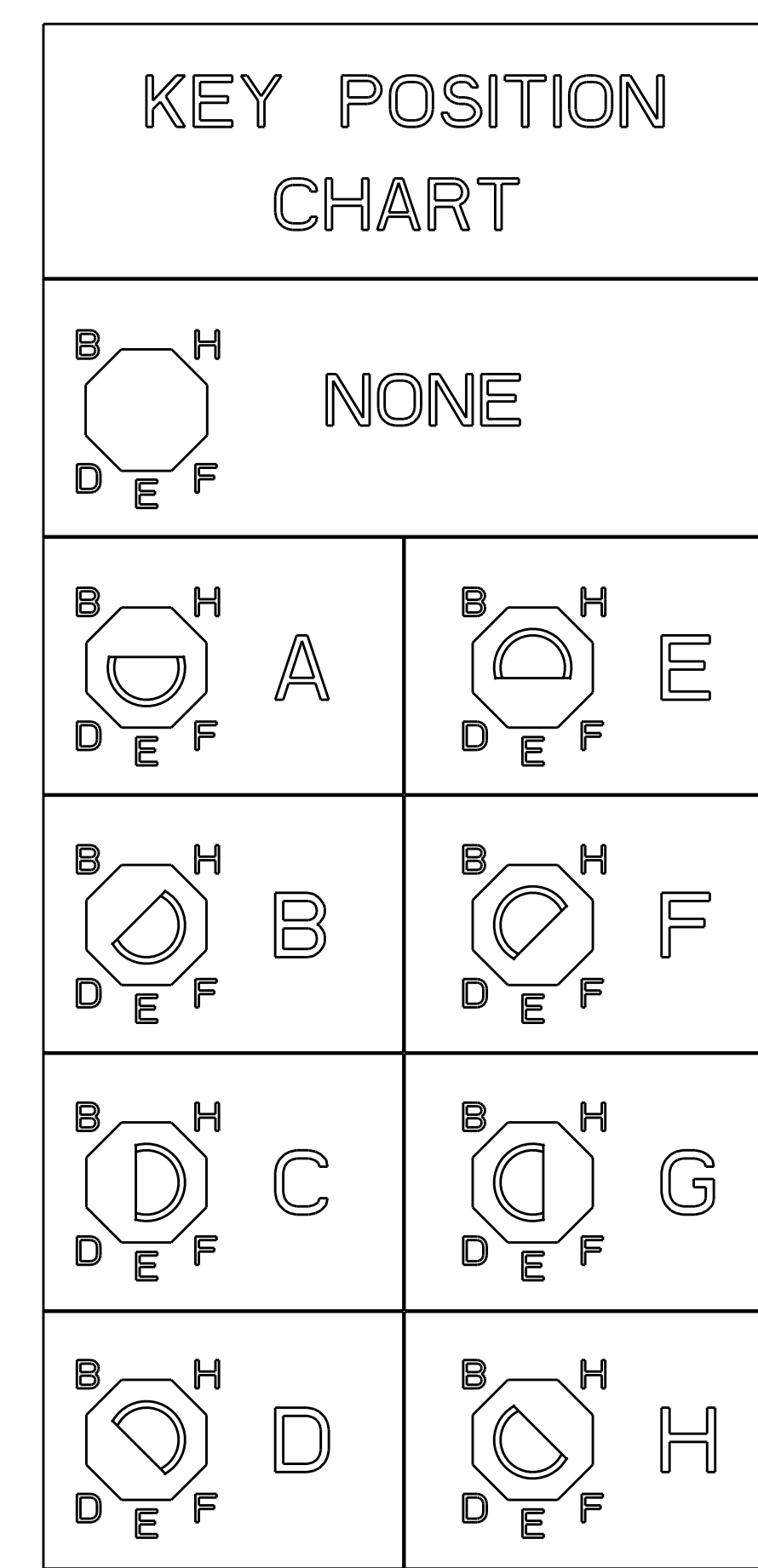


THIS DRAWING IS A CONTROLLED DOCUMENT.		DMN R. GRZYBOWSKI 28APR2011	TE Connectivity
DIMENSIONS: mm		CHK J. EARY 28APR2011	
TOLERANCES UNLESS OTHERWISE SPECIFIED:		APVD J. EARY 28APR2011	NAME: IMPACT, 4 PAIR, 6 COLUMN, HEADER RIGHT GUIDED, LEFT END WALL SIGNAL MODULE, 0.39 PTH
0 PLC ± 1 PLC ±0.25 2 PLC ±0.13 3 PLC ± 4 PLC ± ANGLES ±		PRODUCT SPEC	
MATERIAL		WEIGHT	SIZE CAGE CODE DRAWING NO. RESTRICTED TO
FINISH SEE TABLE		CUSTOMER DRAWING	A100779C=2149981
		SCALE 6:1	SHEET 1 OF 2 REV B1

LOC	DIST	REVISIONS			
		REV	DATE	BY	APPD
AD	00	-	SEE SHEET 1	-	-

	H	5.5	8-2149981-3
	H	4.9	8-2149981-2
	H	4.5	8-2149981-1
	G	5.5	7-2149981-3
	G	4.9	7-2149981-2
	G	4.5	7-2149981-1
	F	5.5	6-2149981-3
	F	4.9	6-2149981-2
	F	4.5	6-2149981-1
	E	5.5	5-2149981-3
	E	4.9	5-2149981-2
	E	4.5	5-2149981-1
	D	5.5	4-2149981-3
	D	4.9	4-2149981-2
	D	4.5	4-2149981-1
	C	5.5	3-2149981-3
	C	4.9	3-2149981-2
	C	4.5	3-2149981-1
	B	5.5	2-2149981-3
	B	4.9	2-2149981-2
	B	4.5	2-2149981-1
	A	5.5	1-2149981-3
	A	4.9	1-2149981-2
	A	4.5	1-2149981-1
	-	5.5	2149981-3
	-	4.9	2149981-2
	-	4.5	2149981-1
FINISH	KEY POSITION	DIM M	PART NUMBER

REFER TO WWW.TE.COM  
 FOR PRODUCT AVAILABILITY



THIS DRAWING IS A CONTROLLED DOCUMENT.		DWN R. GRZYBOWSKI 28APR2011 CHK J. EARY 28APR2011 APVD J. EARY 28APR2011	
DIMENSIONS: mm 	TOLERANCES UNLESS OTHERWISE SPECIFIED: 0 PLC ±0.25 2 PLC ±0.13 3 PLC ±0.13 4 PLC ±0.13 ANGLES ±0.5° FINISH SEE TABLE	PRODUCT SPEC APPLICATION SPEC WEIGHT CUSTOMER DRAWING	NAME IMPACT, 4 PAIR, 6 COLUMN, HEADER RIGHT GUIDED, LEFT END WALL SIGNAL MODULE, 0.39 PTH SIZE CAGE CODE DRAWING NO RESTRICTED TO A100779C=2149981 SCALE 5:1 SHEET 2 OF 2 REV B1