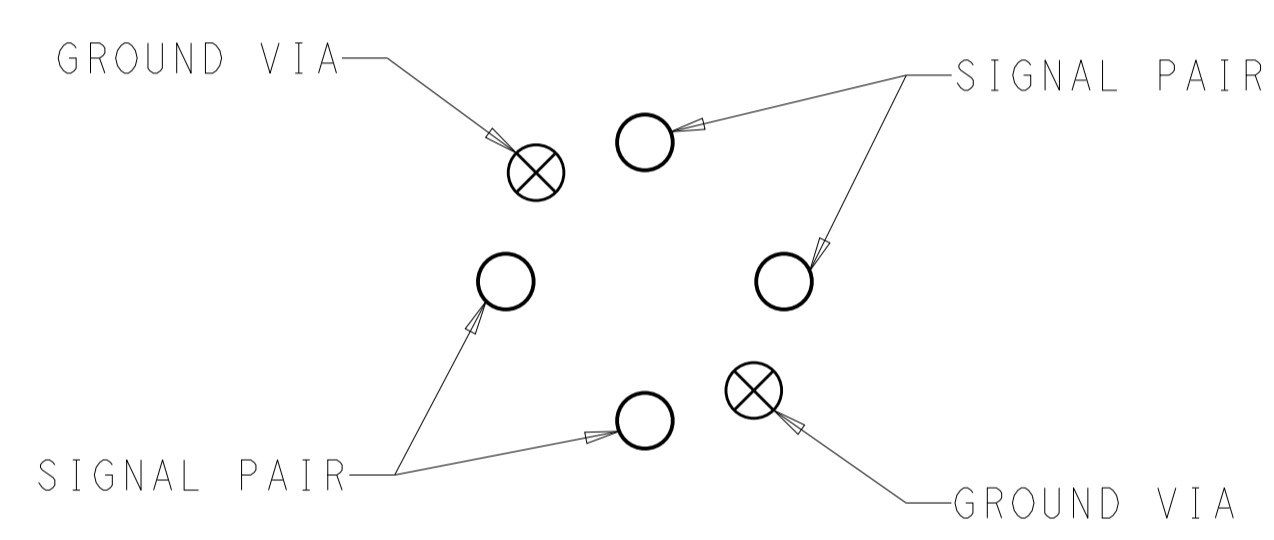
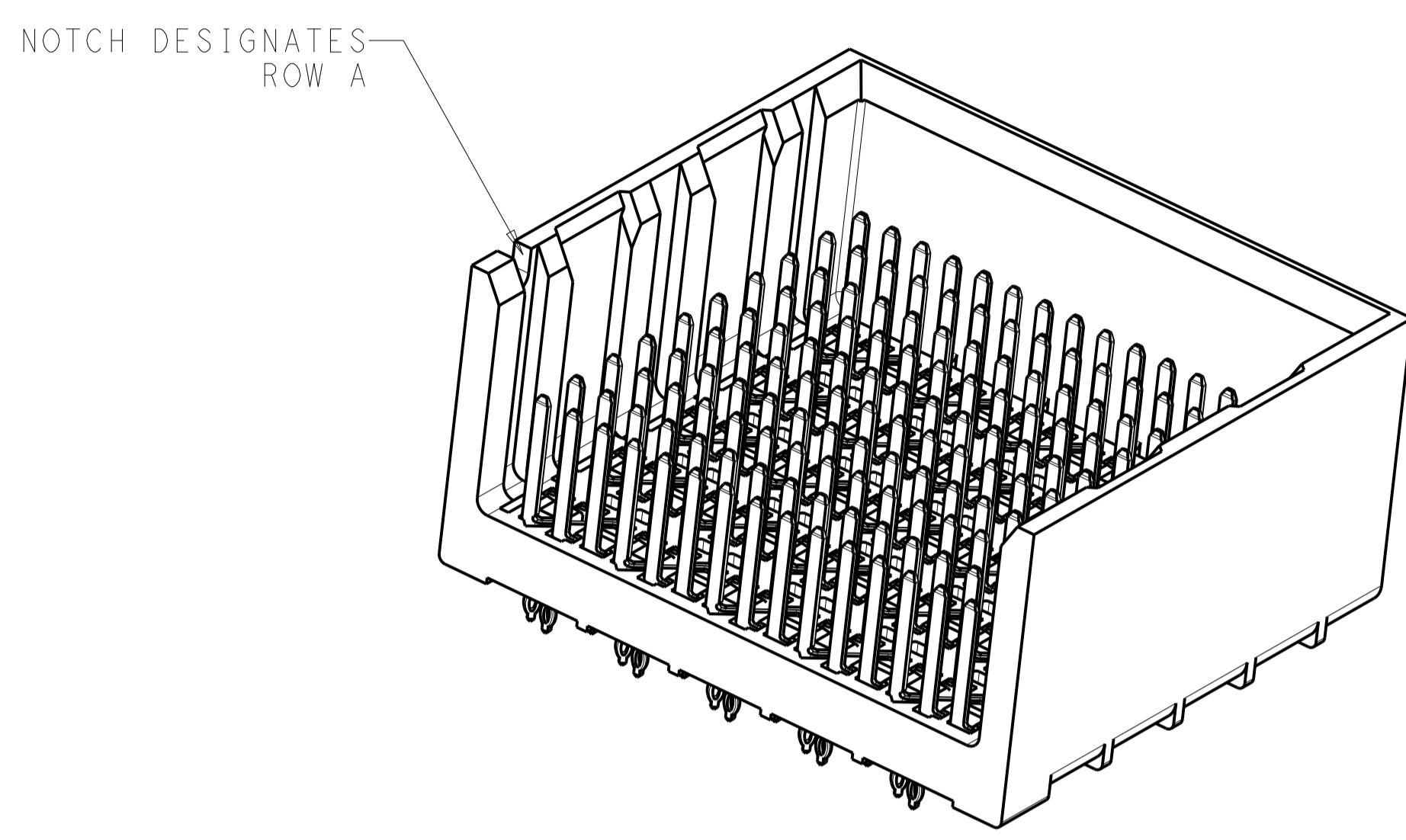
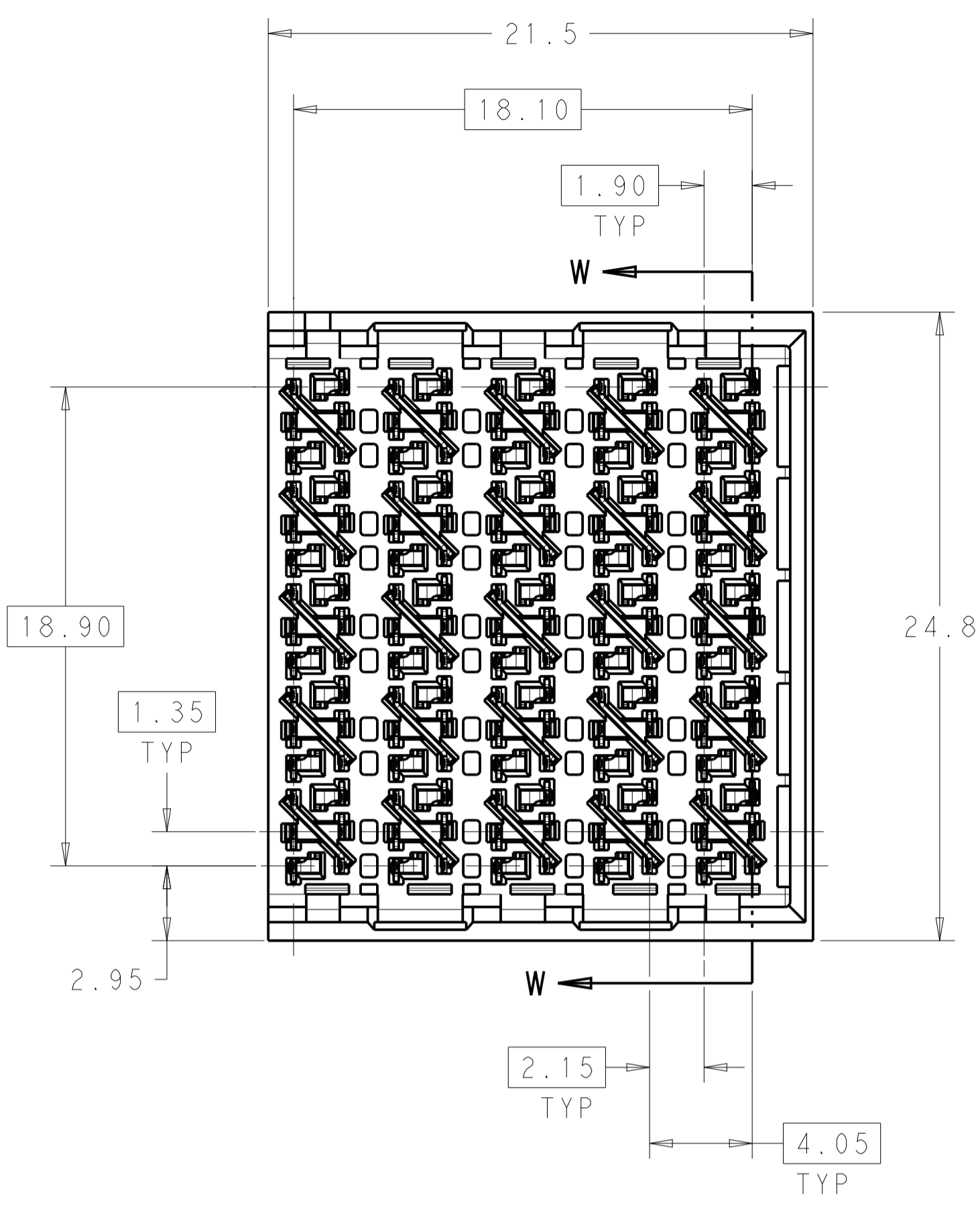


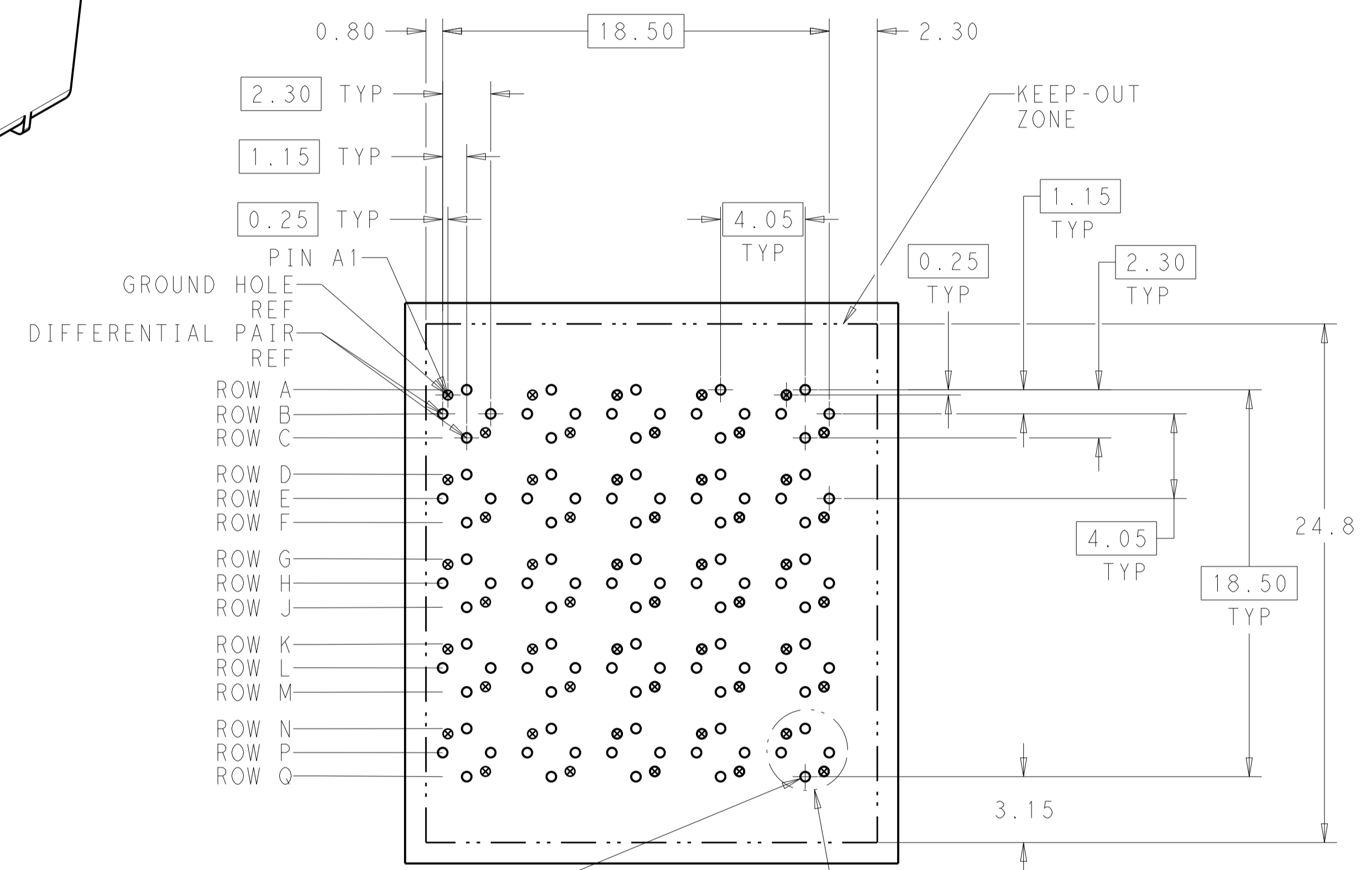
REVISIONS				
P.	LTN.	DESCRIPTION	DATE	APVD.
B		REVISED PER ECO-14-013272	09SEP2014	AP DD



DETAIL X  
SCALE 16:1

⚠ MATERIAL:  
HOUSING: LCP, GLASS FILLED, UL94V-0.  
TERMINALS: HIGH PERFORMANCE COPPER ALLOY.

⚠ FINISH:  
30μ" MIN GOLD IN CONTACT AREA. SELECTIVE TIN ON PCB TAILS, NICKEL OVERALL.



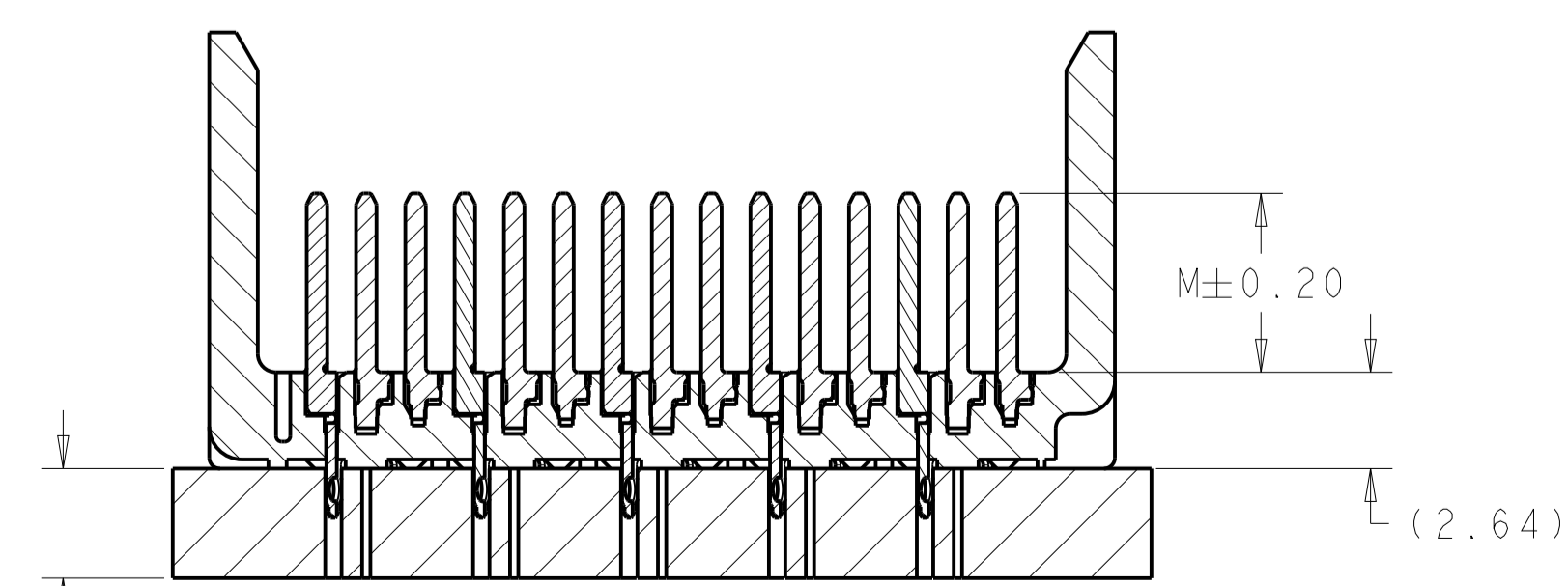
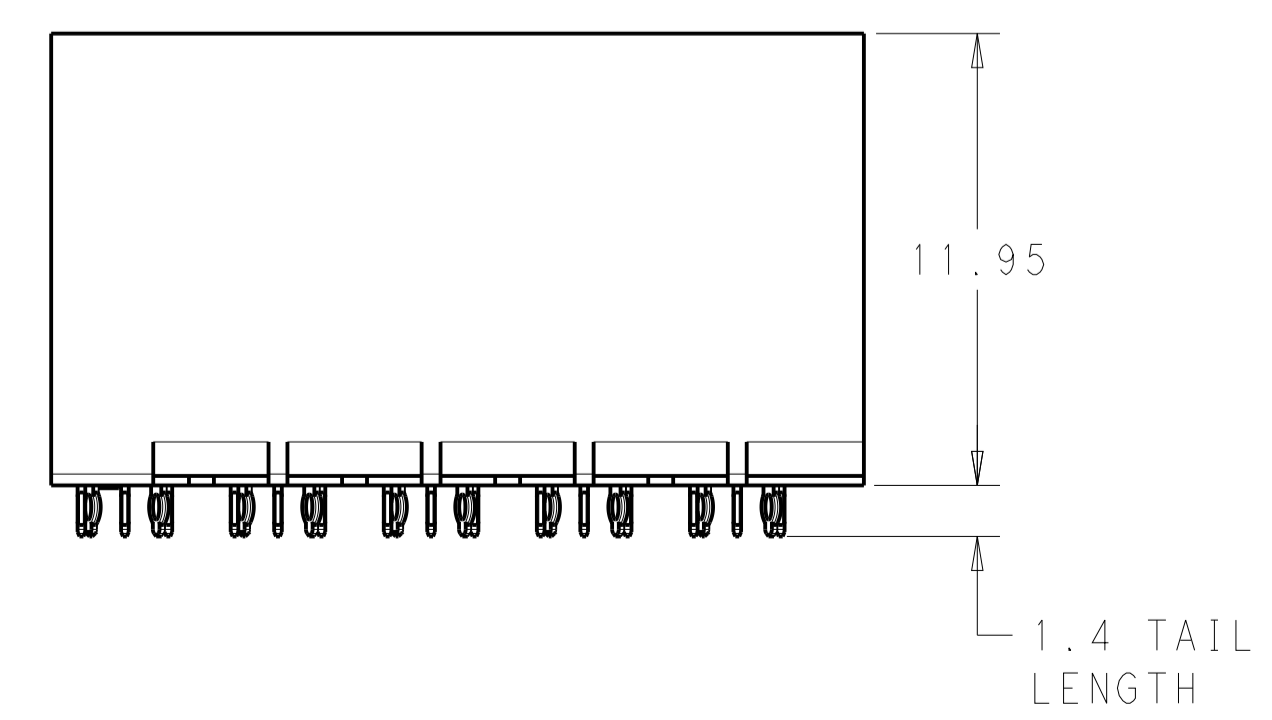
150X  $\varnothing 0.46 \pm 0.08$   
PLATED THRU HOLE

150X  $\varnothing 0.55 \pm 0.013$   
DRILL HOLE

$\varnothing 0.10$

UNGUIDED  
BACKPLANE HOLE PATTERN  
(CONNECTOR SIDE)

REFER TO WWW.TE.COM  
FOR PRODUCT AVAILABILITY



3.00  
MINIMUM BOARD  
THICKNESS

SECTION W-W

2	5.5	2143628-2
2	4.9	2143628-1
FINISH	DIM M	PART NUMBER

THIS DRAWING IS A CONTROLLED DOCUMENT.		DWN: KIRAN.HOLAL 12DEC2012	NAME: IMPACT, ORTHOGONAL, 5 PAIR, 10 COLUMN HEADER, UNGUIDED, RIGHT END WALL SIGNAL MODULE, 0.46 PTH
DIMENSIONS: mm		CHK: D.DIXON 12DEC2012	
TOLERANCES UNLESS OTHERWISE SPECIFIED:		APVD: D.DIXON 12DEC2012	RESTRICTED TO
0 PLC	±	PRODUCT SPEC	SIZE: CAGE CODE: DRAWING NO:
1 PLC	±0.25	APPLICATION SPEC	WEIGHT: A100779
3 PLC	±0.13	FINISH	SCALE: 5:1
4 PLC	±	SEE TABLE	SHEET 1 OF 1
ANGLES	±		REV B
MATERIAL		CUSTOMER DRAWING	