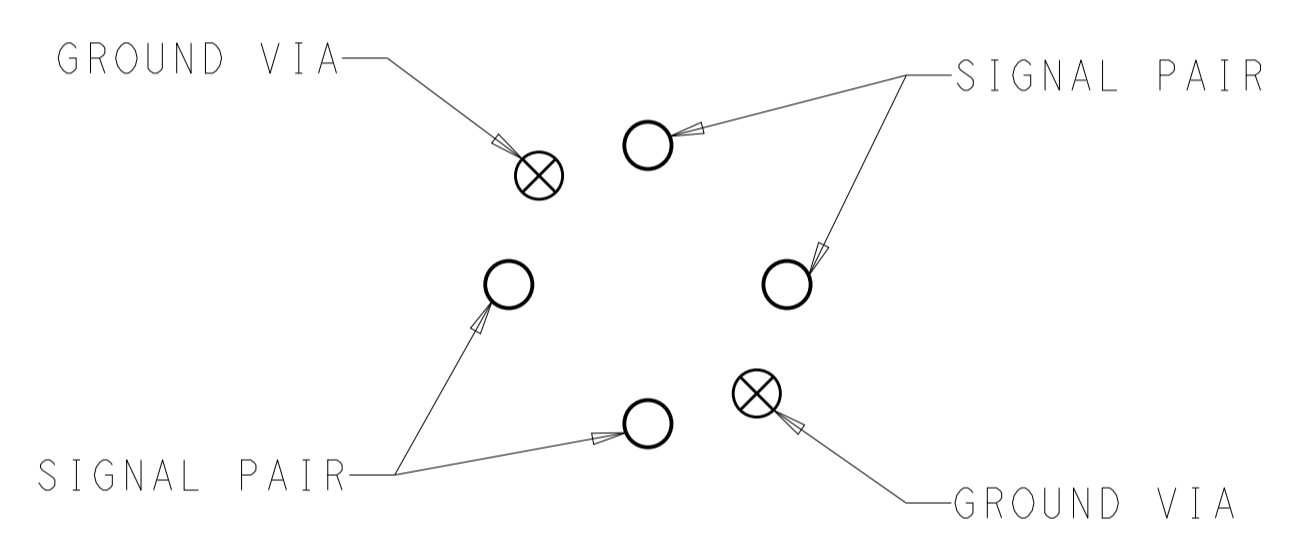
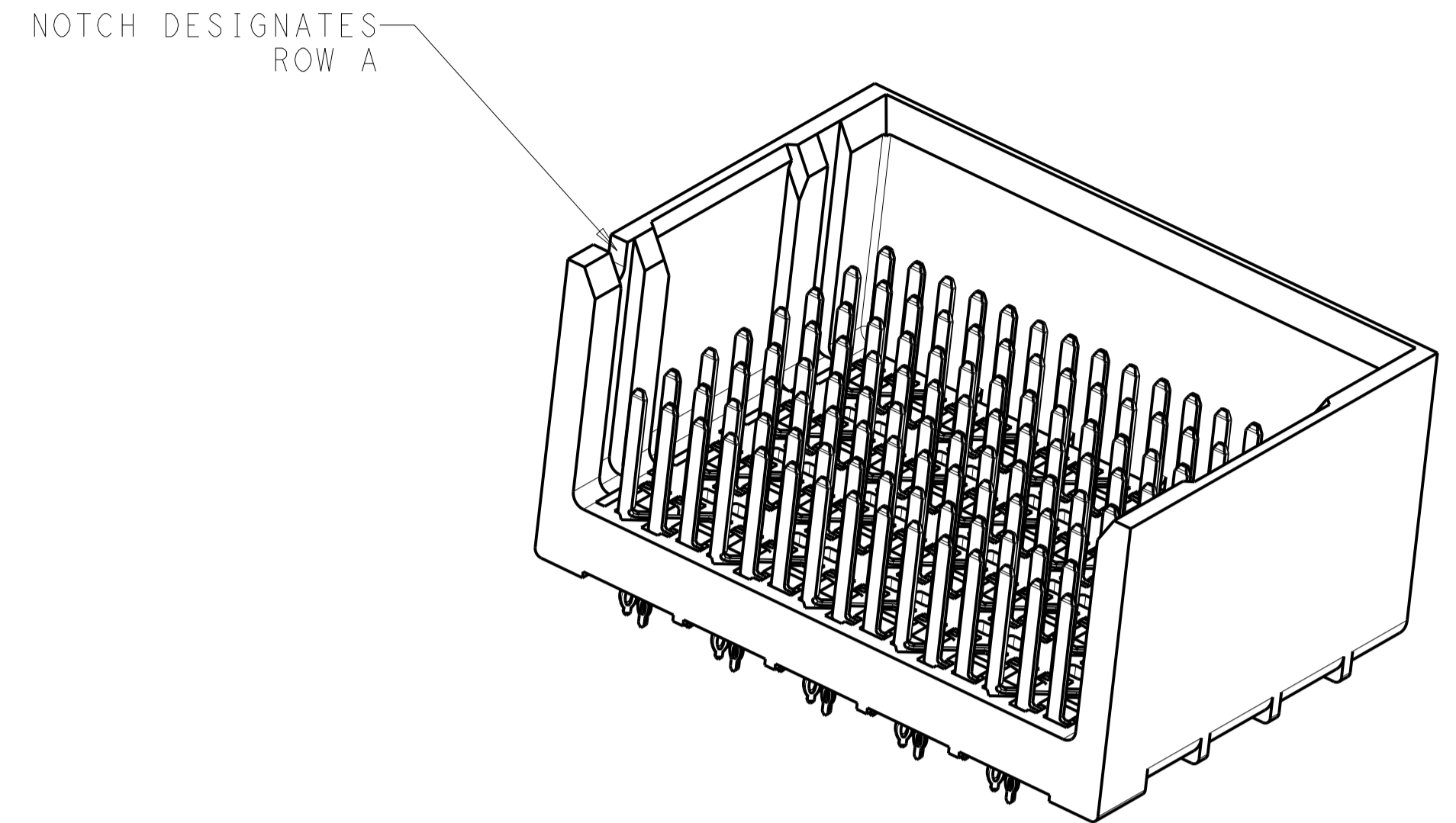
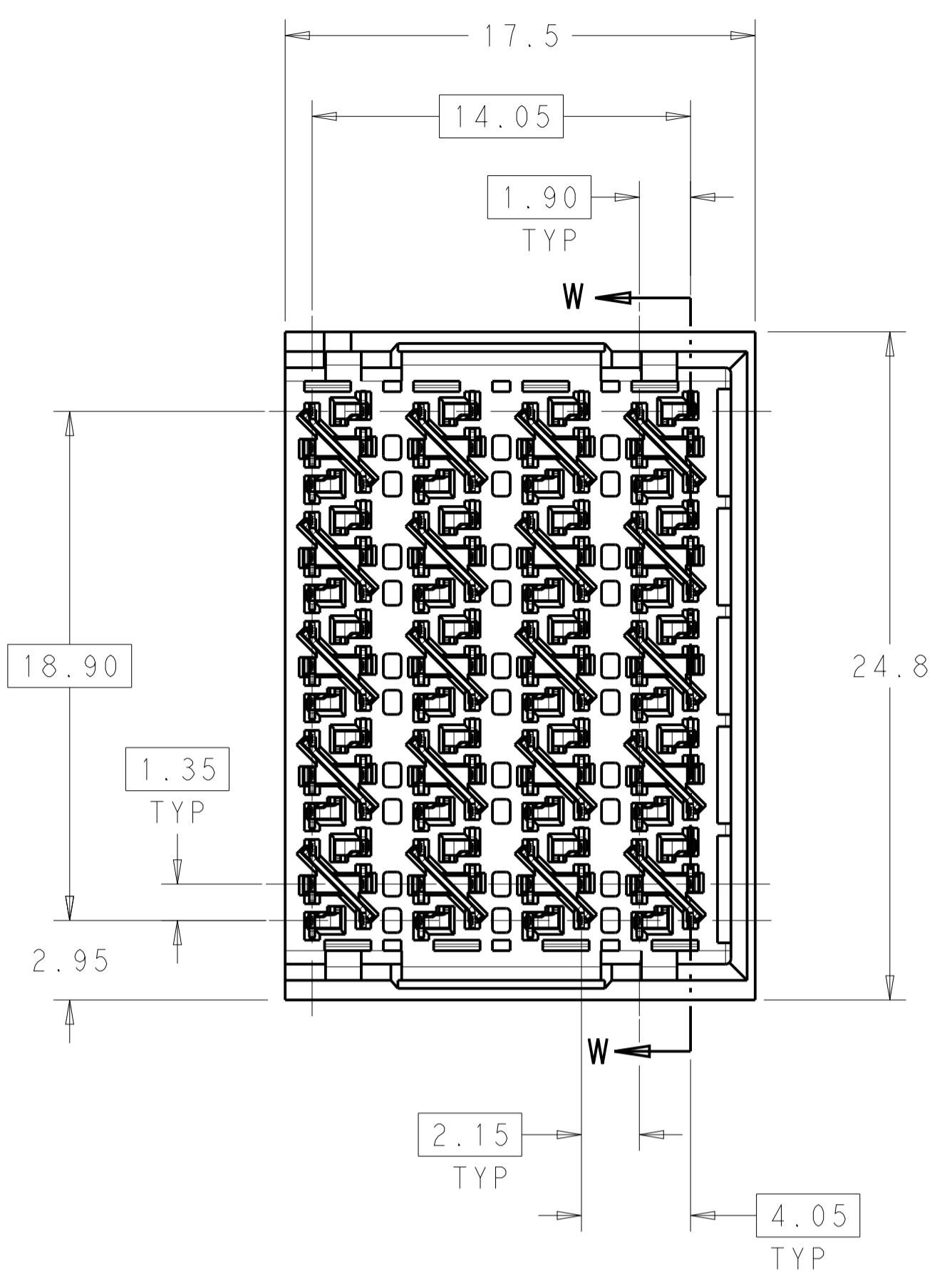
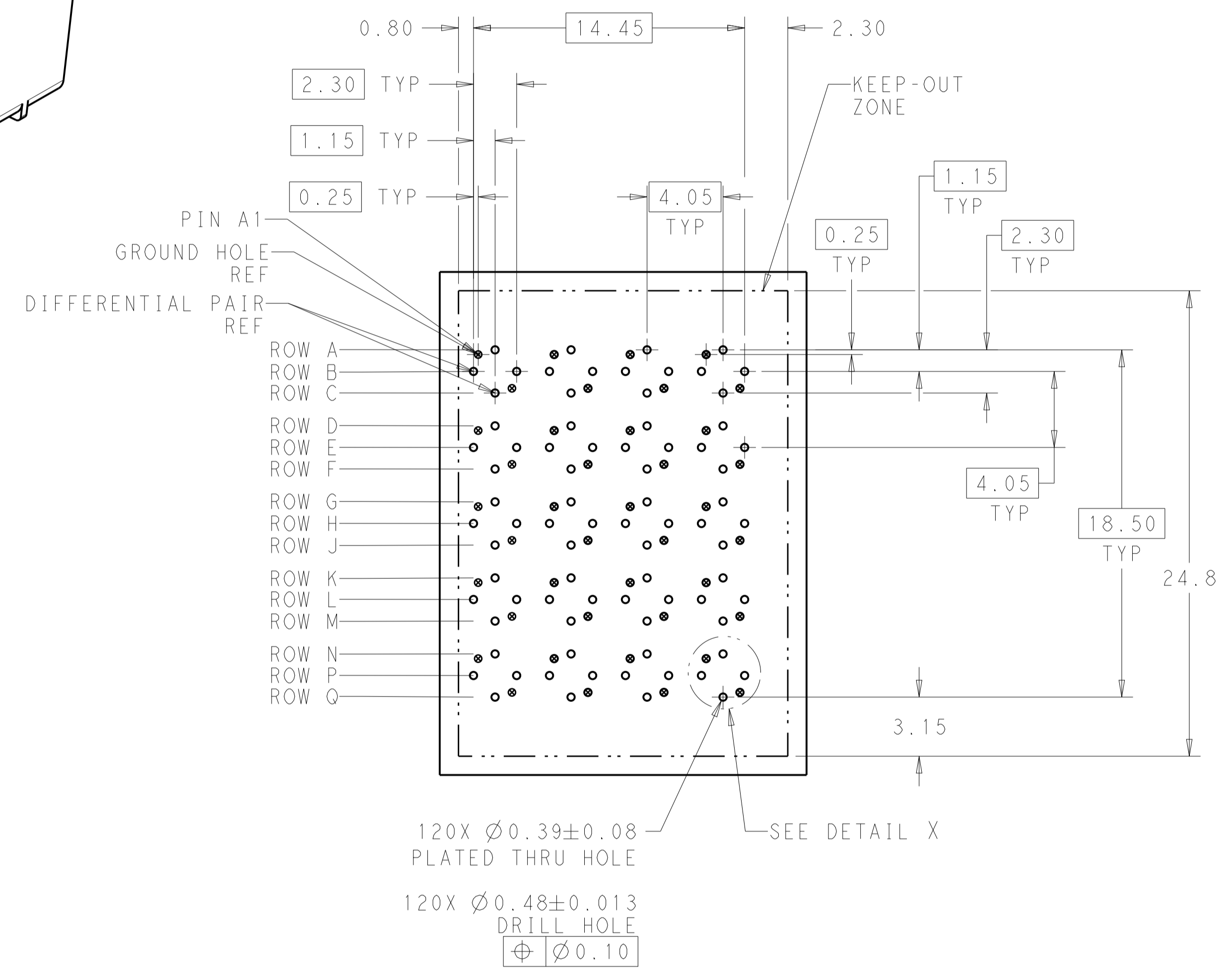


REVISIONS				
P.	LTN.	DESCRIPTION	DATE	APV'D.
B		REVISED PER ECO-14-013272	09SEP2014	AP DD



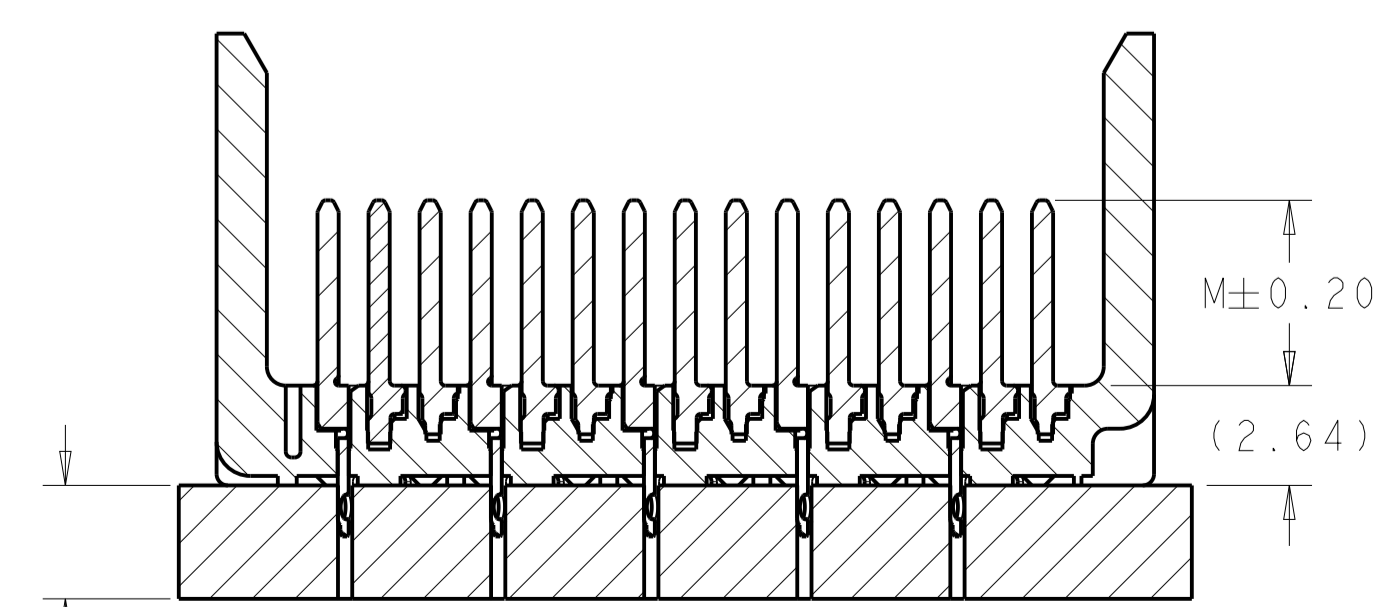
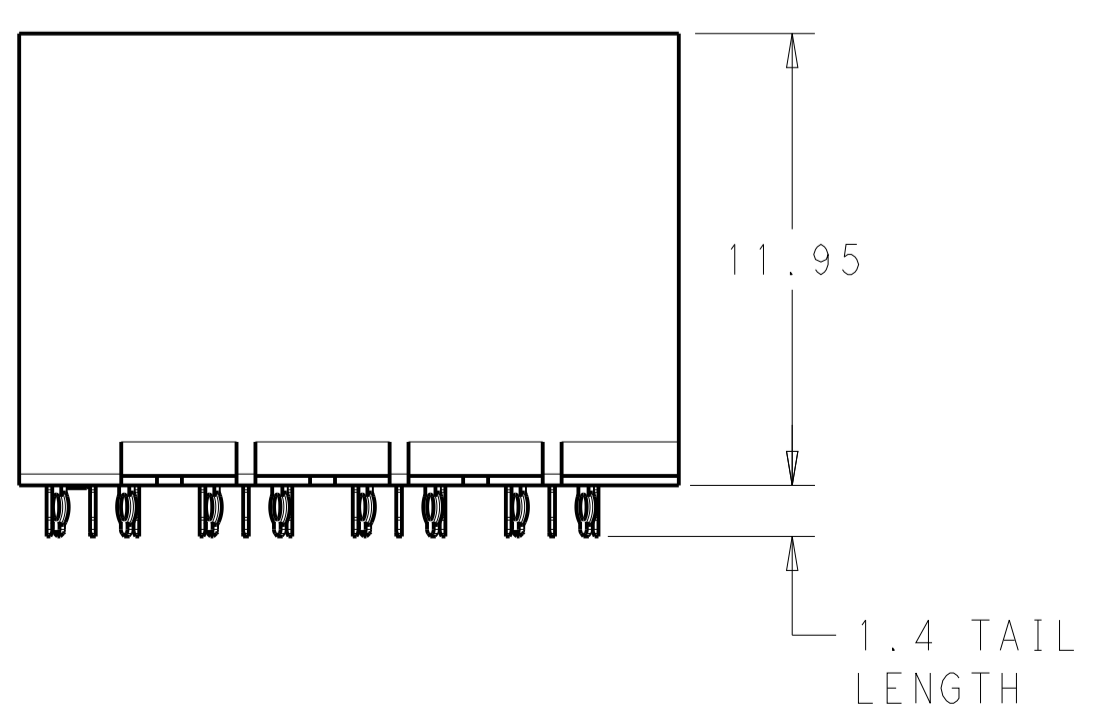
DETAIL X  
SCALE 16:1

- 1 MATERIAL:  
HOUSING: LCP, GLASS FILLED, UL94V-0.  
TERMINALS: HIGH PERFORMANCE COPPER ALLOY.
- 2 FINISH:  
30μ" MIN GOLD IN CONTACT AREA. SELECTIVE TIN ON PCB TAILS, NICKEL OVERALL.



UNGUIDED BACKPLANE HOLE PATTERN (CONNECTOR SIDE)

REFER TO WWW.TE.COM FOR PRODUCT AVAILABILITY



SECTION W-W

3.00 MINIMUM BOARD THICKNESS

2	5.5	2143622-2
2	4.9	2143622-1
FINISH	DIM M	PART NUMBER

THIS DRAWING IS A CONTROLLED DOCUMENT.		OWN: HIRAN HOLLAL 11DEC2012	
DIMENSIONS: mm		CHK: D. DIXON 11DEC2012	
TOLERANCES UNLESS OTHERWISE SPECIFIED:		APV'D: D. DIXON 11DEC2012	NAME: IMPACT, ORTHOGONAL, 5 PAIR, 8 COLUMN HEADER, UNGUIDED, RIGHT END WALL SIGNAL MODULE, 0.39 PTH SIZE: CAGE CODE DRAWING NO: A100779 WEIGHT: - CUSTOMER DRAWING: -
0 PLC ± 1 PLC ±0.25 2 PLC ±0.13 3 PLC ± 4 PLC ± ANGLES ±		PRODUCT SPEC: - APPLICATION SPEC: - SCALE: 5:1 SHEET 1 OF 1 REV B	