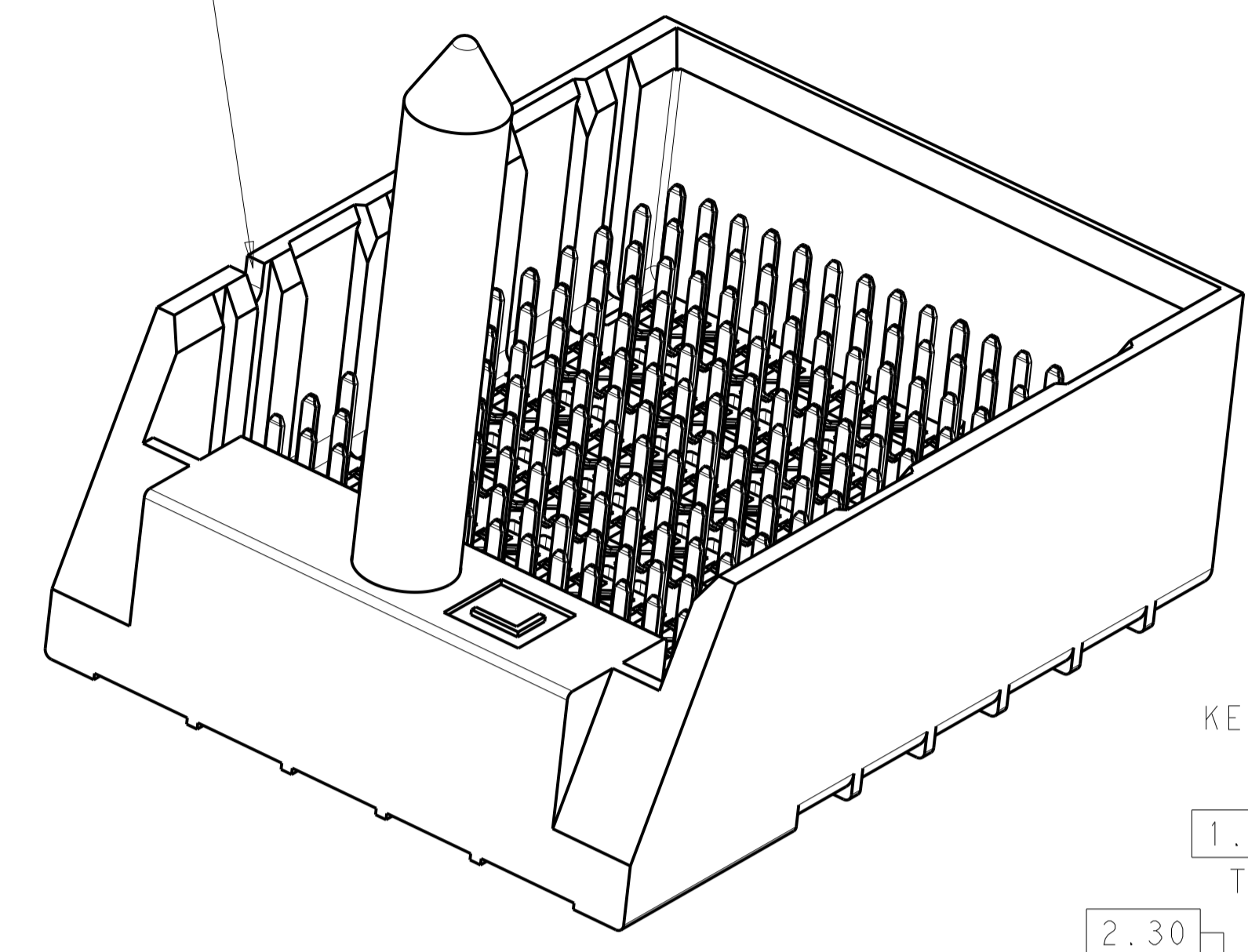
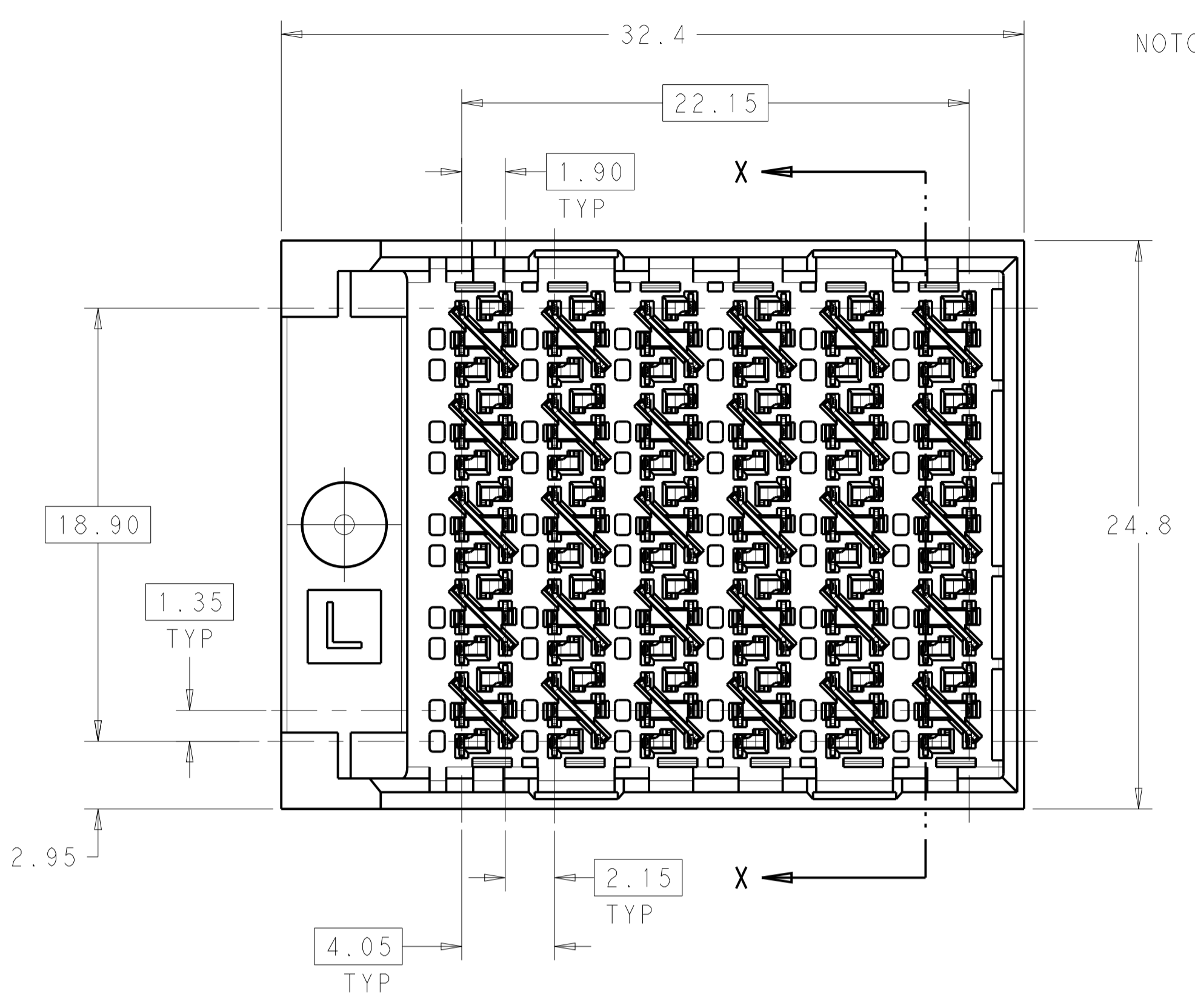
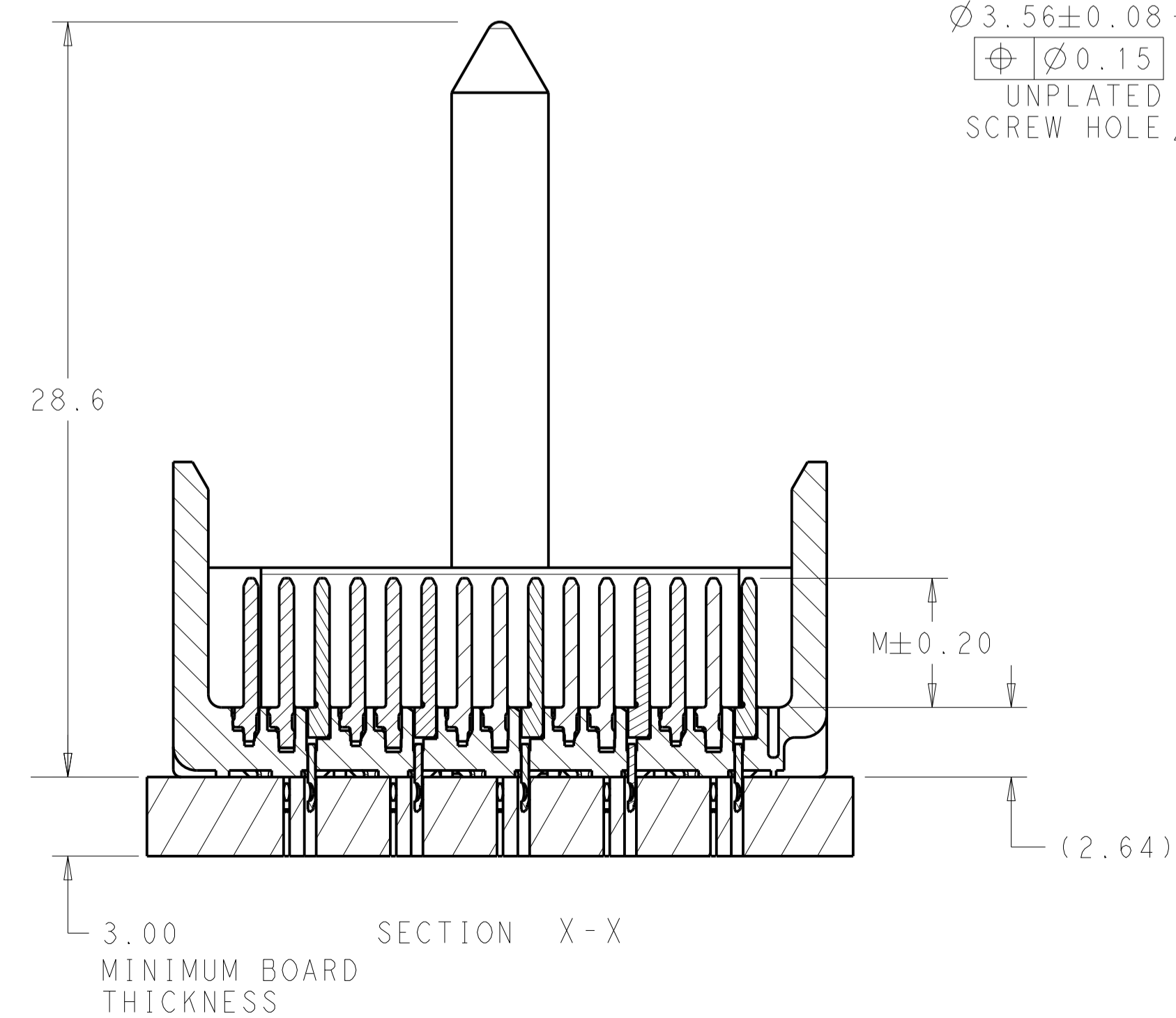
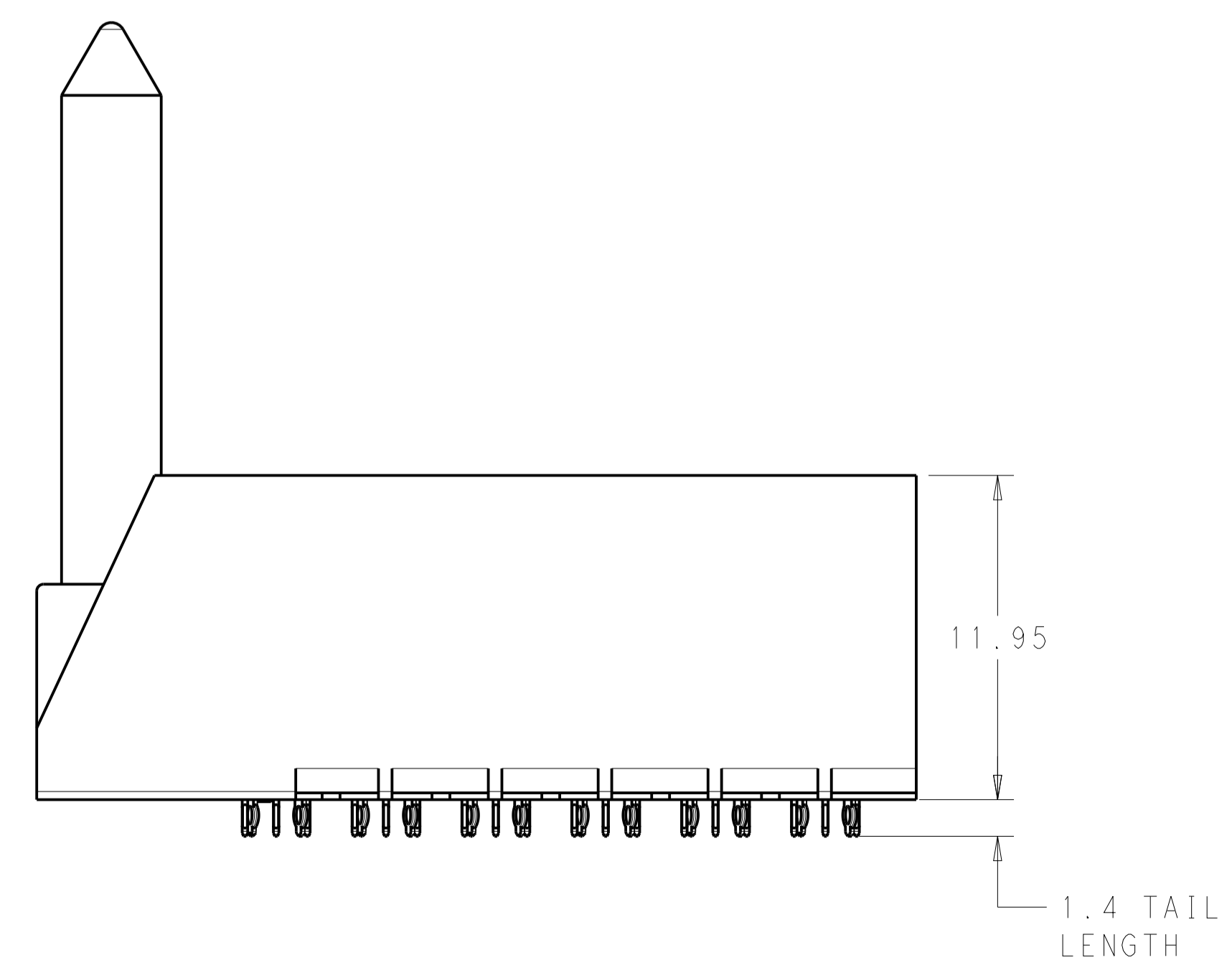
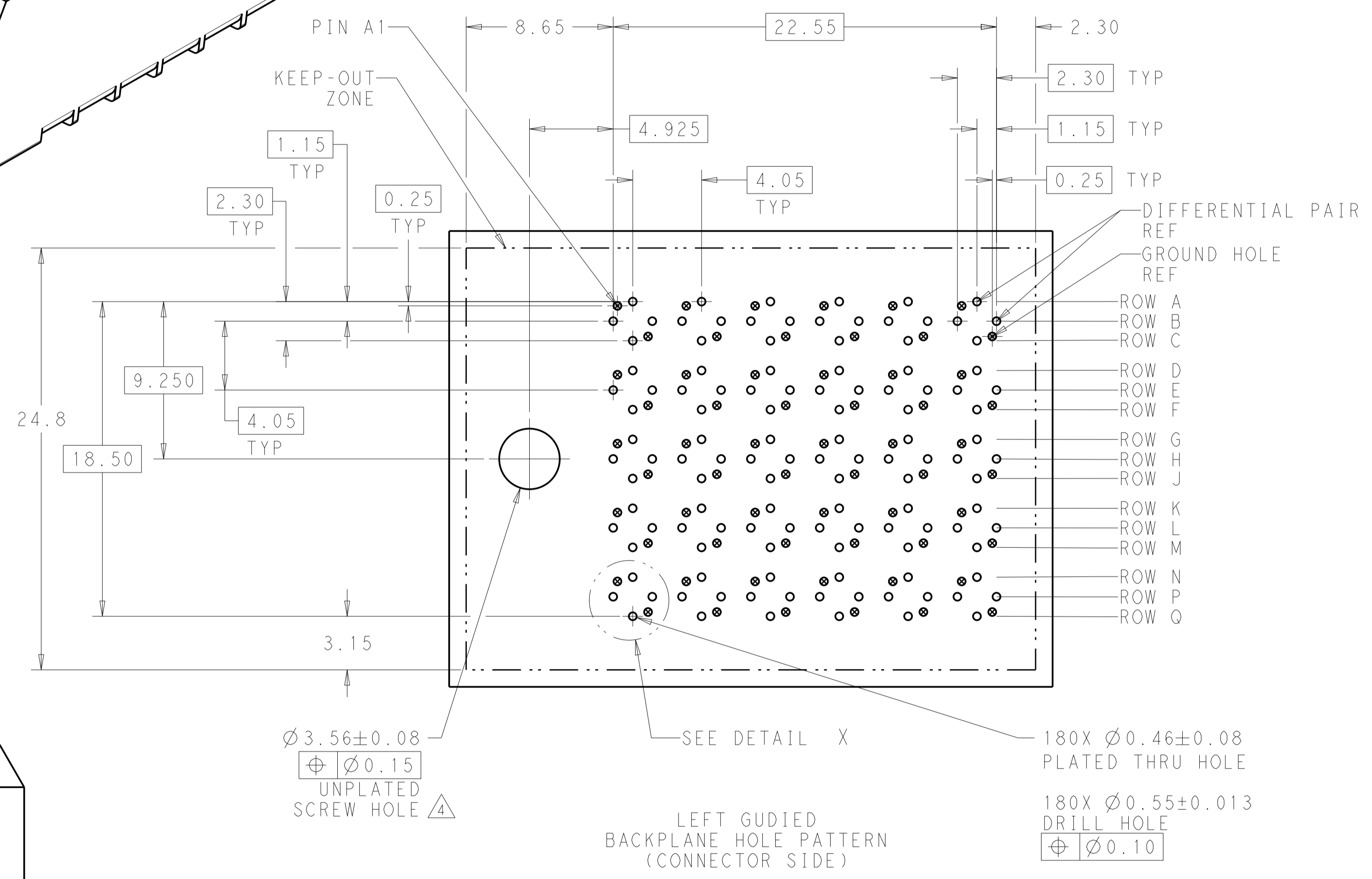
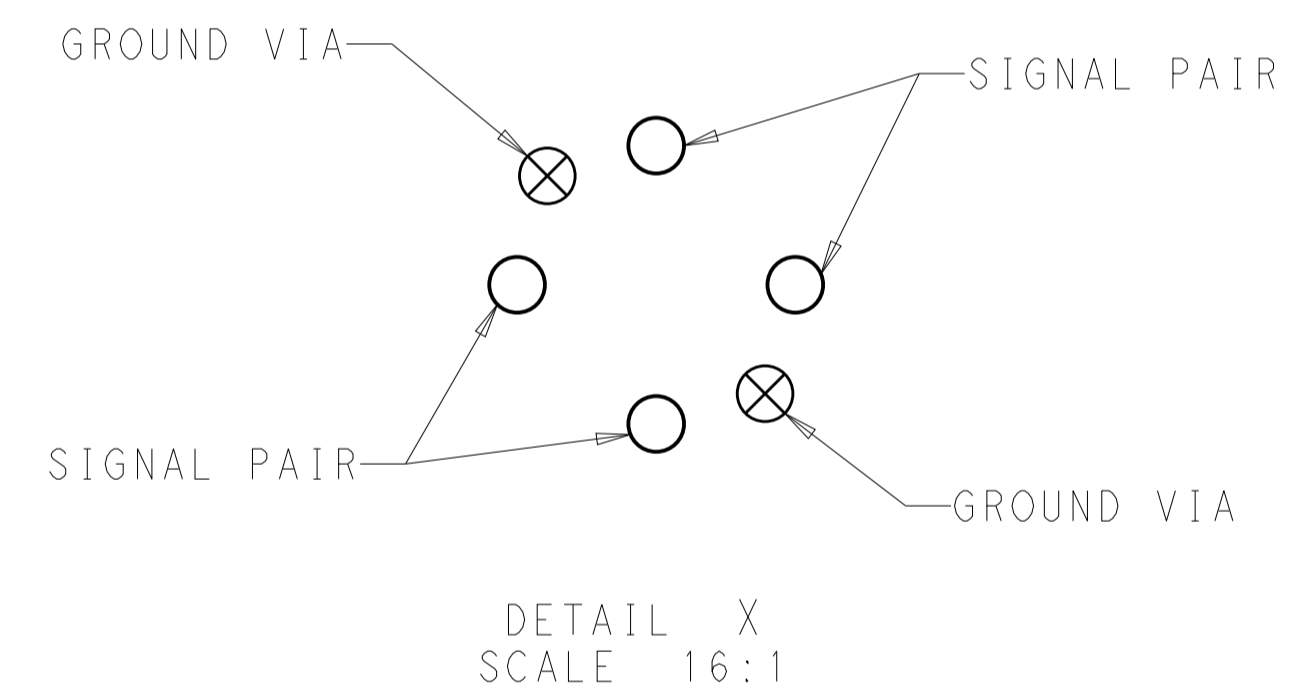


REVISIONS				
P.	LTN.	DESCRIPTION	DATE	APV'D.
B		REVISED PER ECO-14-013272	09SEP2014	AP DD



- 1 MATERIAL:
HOUSING: LCP, GLASS FILLED, UL94V-0.
TERMINALS: HIGH PERFORMANCE COPPER ALLOY.
- 2 FINISH:
30μ" MIN GOLD IN CONTACT AREA. SELECTIVE TIN ON PCB TAILS, NICKEL OVERALL.
- 3. SCREWS PACKAGED IN END OF PACKAGING TUBE.
- 4 FOR GROUNDED GUIDE PIN USE $\varnothing 3.56 \pm 0.08$ PTH, $\varnothing 3.66$ DRILL, AND $\varnothing 6.5$ PAD.



REFER TO WWW.TE.COM FOR PRODUCT AVAILABILITY

2	5.5	2143576-2
2	4.9	2143576-1
FINISH	DIM M	PART NUMBER

THIS DRAWING IS A CONTROLLED DOCUMENT.		OWN: KIRAN HOLH 30NOV2012	TE Connectivity
DIMENSIONS: mm		CHK: D. DIXON 30NOV2012	
TOLERANCES UNLESS OTHERWISE SPECIFIED:		APV'D: D. DIXON 30NOV2012	NAME: IMPACT, ORTHOGONAL, 5 PAIR, 12 COLUMN HEADER, LEFT GUIDED, RIGHT END WALL SIGNAL MODULE, 0.46 PTH
0 PLC \pm		PRODUCT SPEC	
1 PLC ± 0.25		APPLICATION SPEC	SIZE: CAGE CODE DRAWING NO. RESTRICTED TO
2 PLC ± 0.13		WEIGHT	
3 PLC \pm		FINISH	A100779C=2143576
4 PLC \pm		ANGLES	
MATERIAL		SEE TABLE	CUSTOMER DRAWING
SCALE: 5:1		SHEET 1 OF 1	REV B