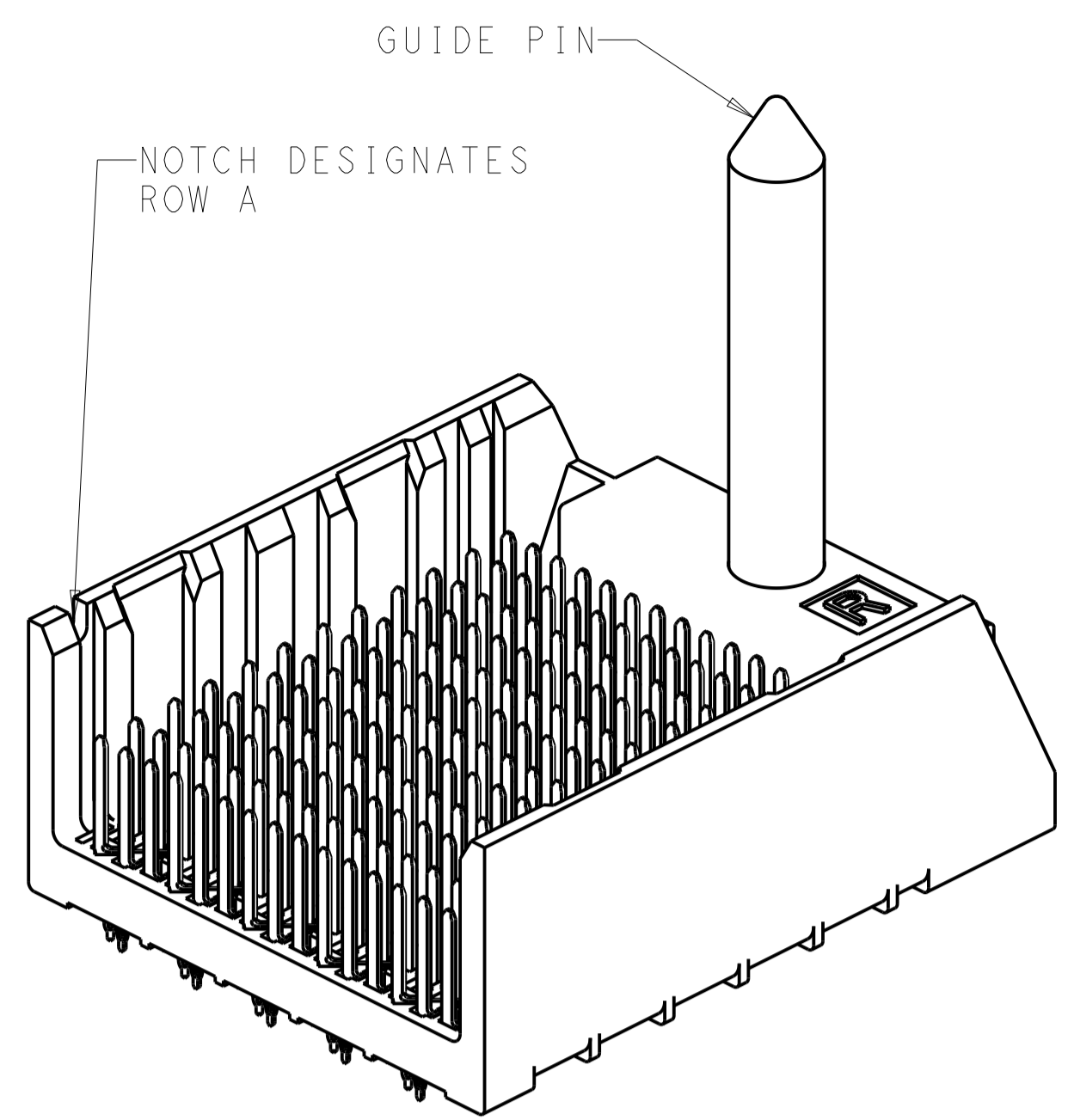
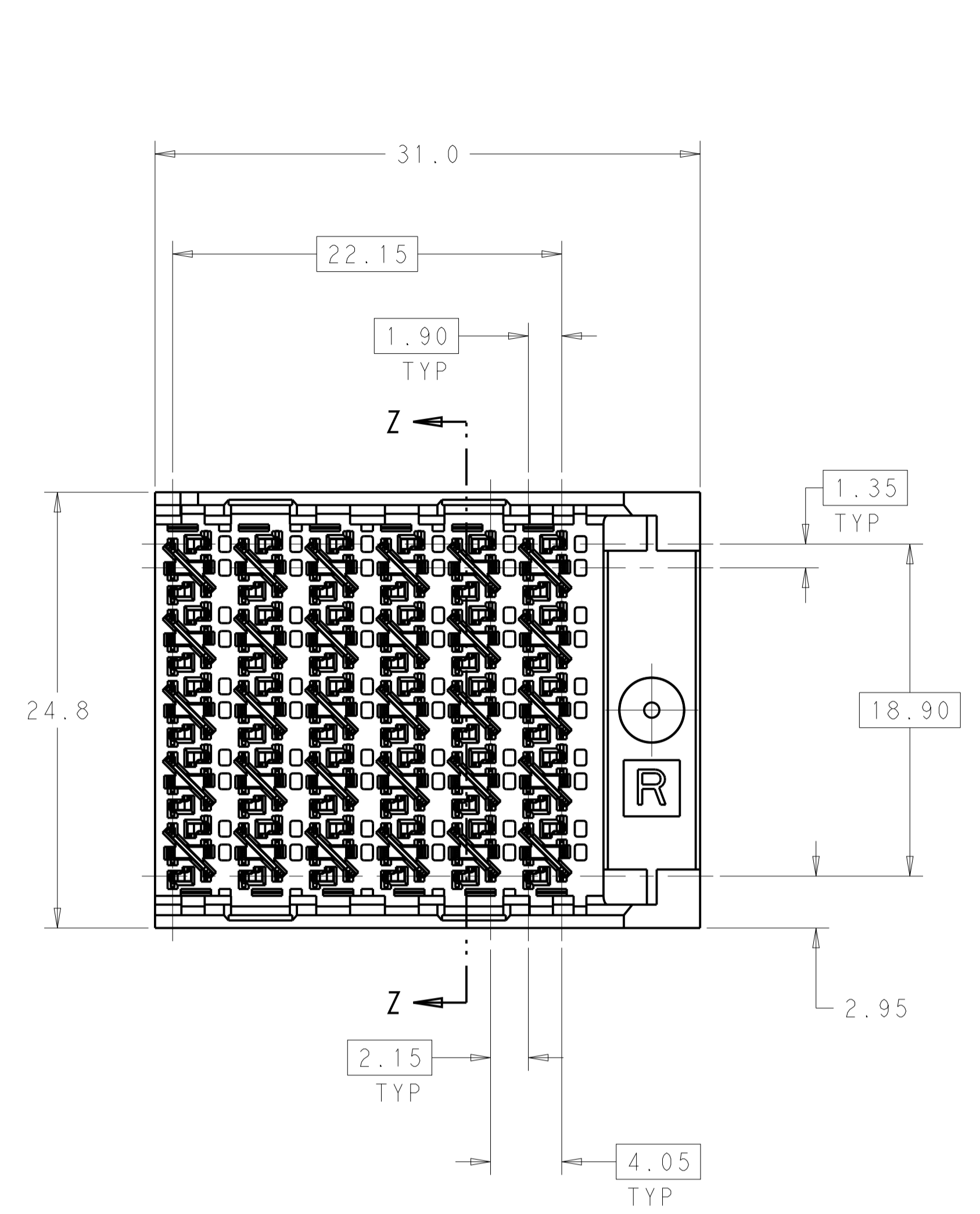


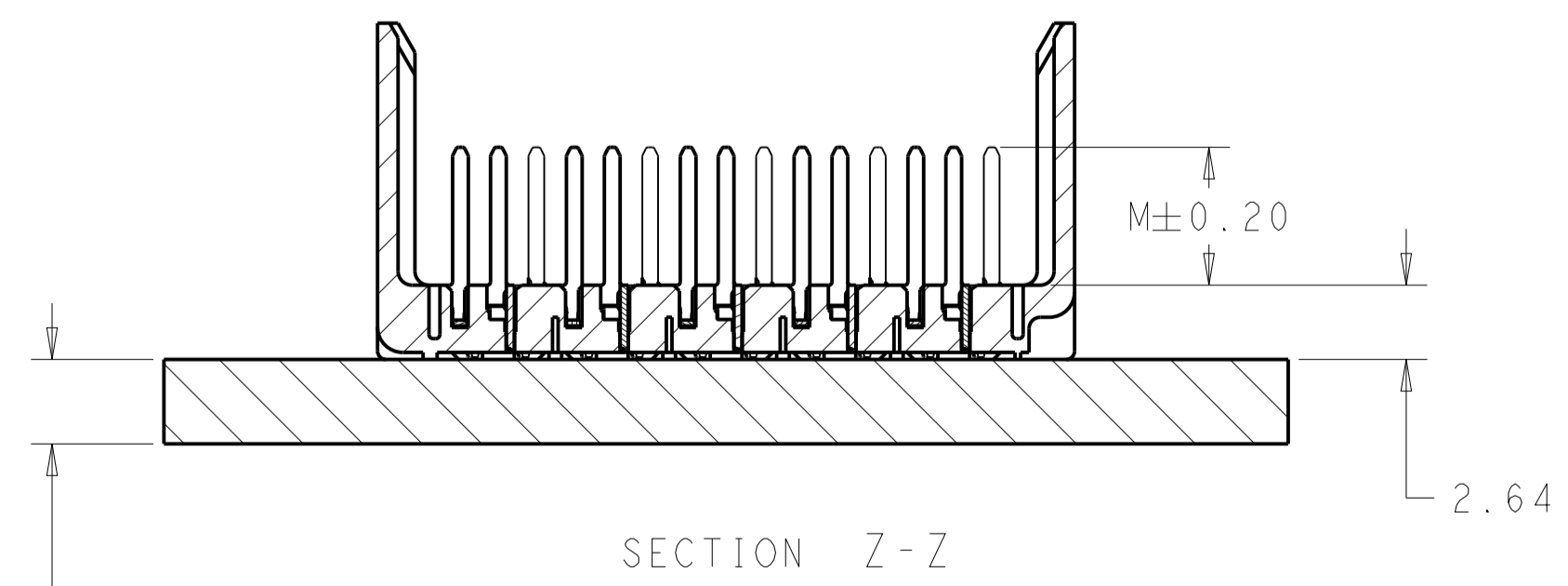
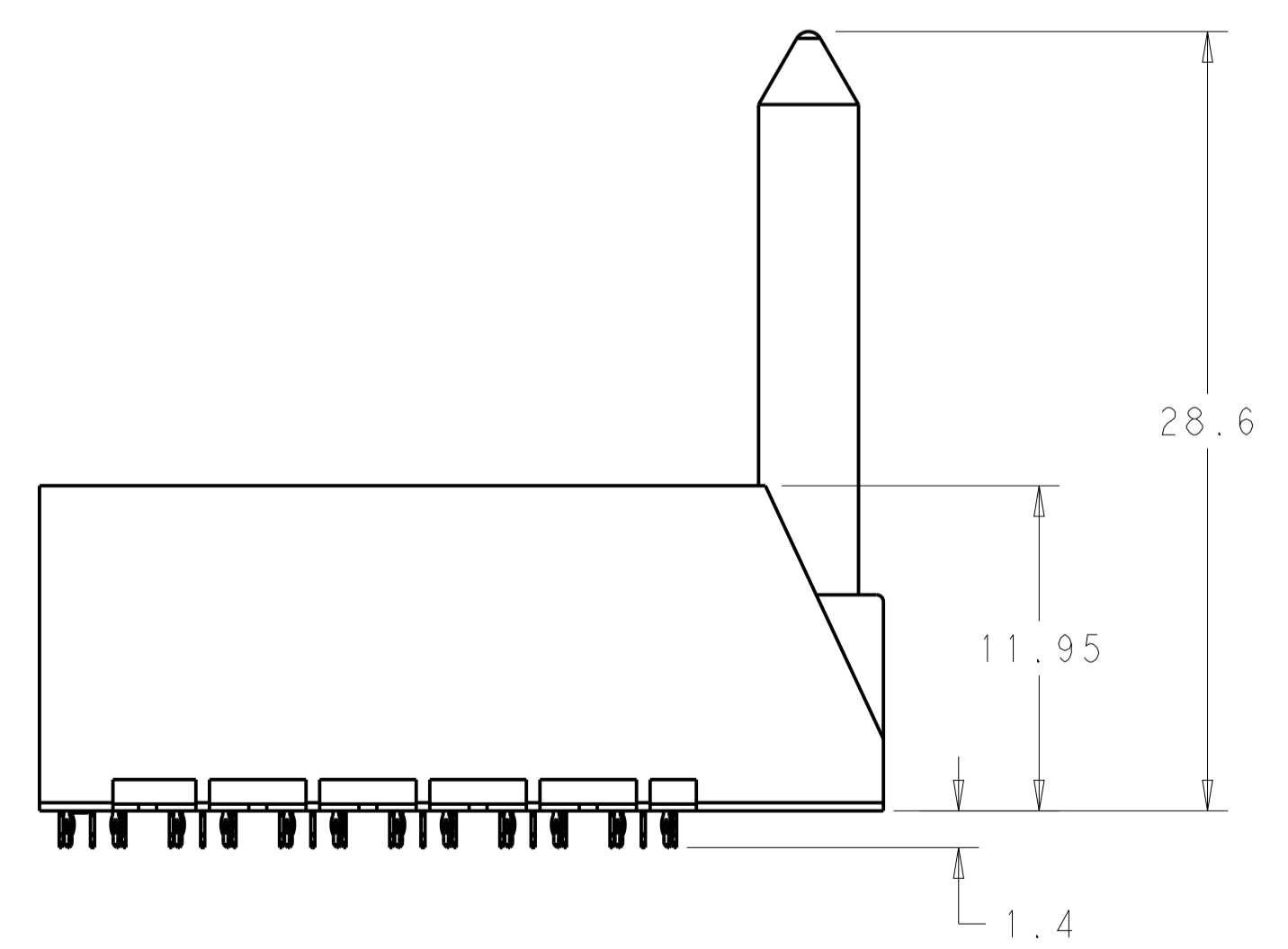
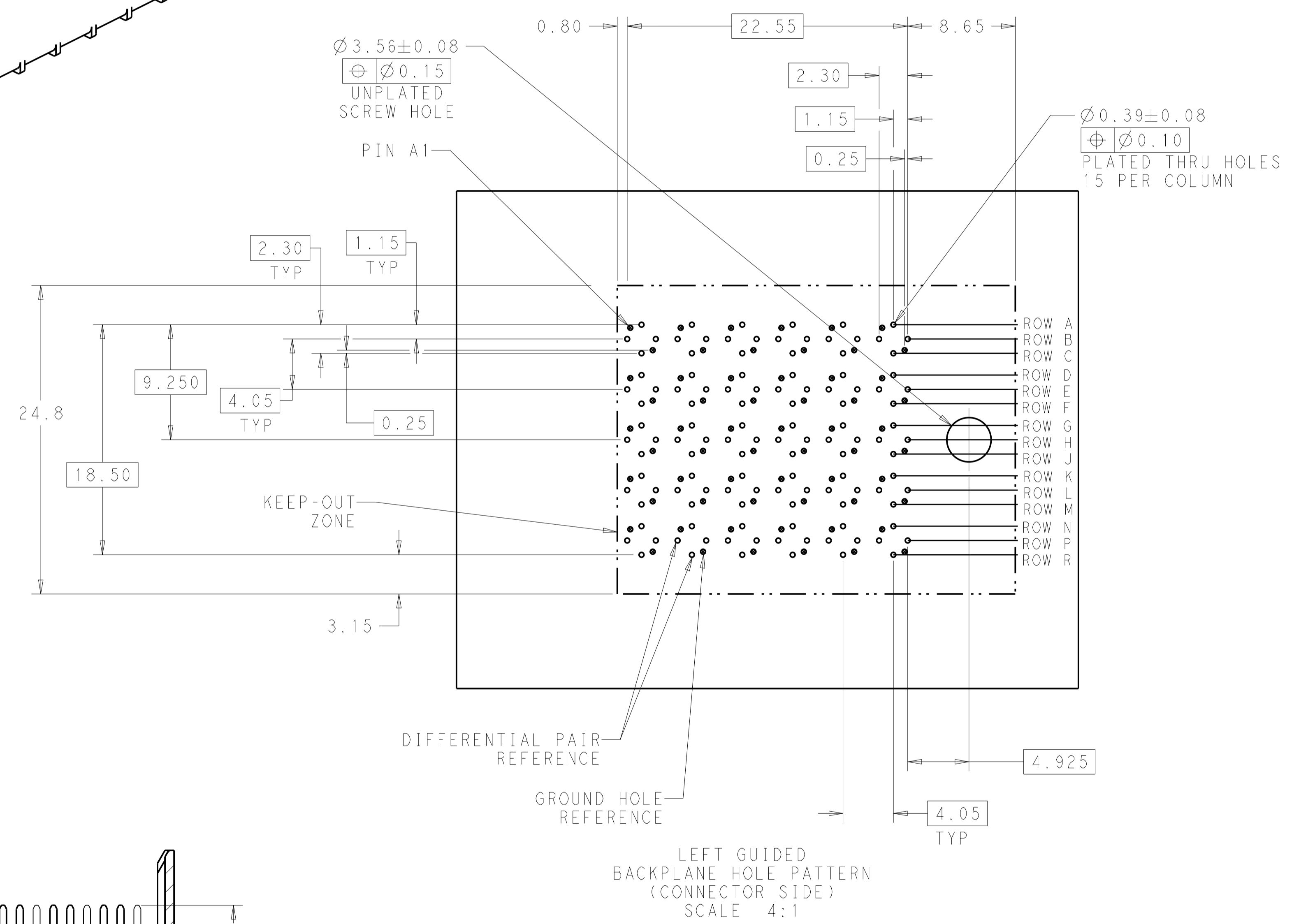
REVISIONS				
P.	LTN.	DESCRIPTION	DATE	APVD.
B		REVISED PER ECO-14-013272	09SEP2014	AP DD



MATERIAL:
 HOUSING: LCP GLASS FILLED UL94V-0
 TERMINALS: HIGH PERFORMANCE COPPER ALLOY

FINISH:
 30μ" MIN GOLD IN CONTACT AREA
 SELECTIVE TIN ON PCB TAILS.
 NICKEL OVERALL.

3. SCREWS PACKAGED IN THE END OF PACKAGING TUBE.



3.00 MIN BOARD THICKNESS

FINISH	5.5	2143571-2
DIM M	4.9	2143571-1
PART NUMBER		

THIS DRAWING IS A CONTROLLED DOCUMENT.

DIMENSIONS:	TOLERANCES UNLESS OTHERWISE SPECIFIED:	DWN J. K. SHOBER 18AUG2010	CHK J. EARY 18AUG2010	APVD J. EARY 18AUG2010
mm	0 PLC ±0.25 1 PLC ±0.13 3 PLC ±0.13 4 PLC ±0.13 ANGLES ±0	NAME	IMPACT, 5 PAIR, 12 COLUMN, RIGHT GUIDED OPEN END WALL ASSEMBLY, ORTHOGONAL, 0.39 PTH	
MATERIAL	SEE TABLE	SIZE	CAGE CODE	DRAWING NO
		Customer Drawing	A1100779	C=2143571

TE Connectivity
 SCALE 4:1 SHEET 1 OF 1 REV B