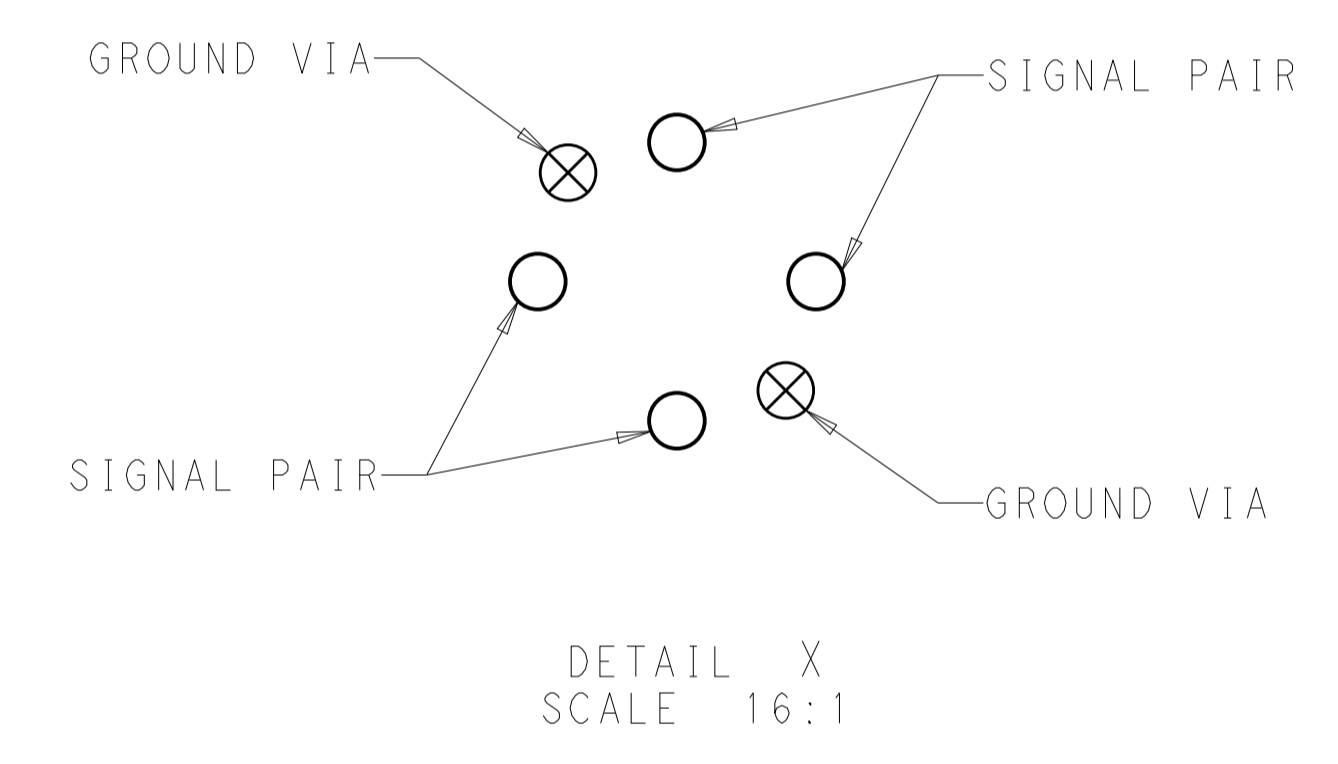
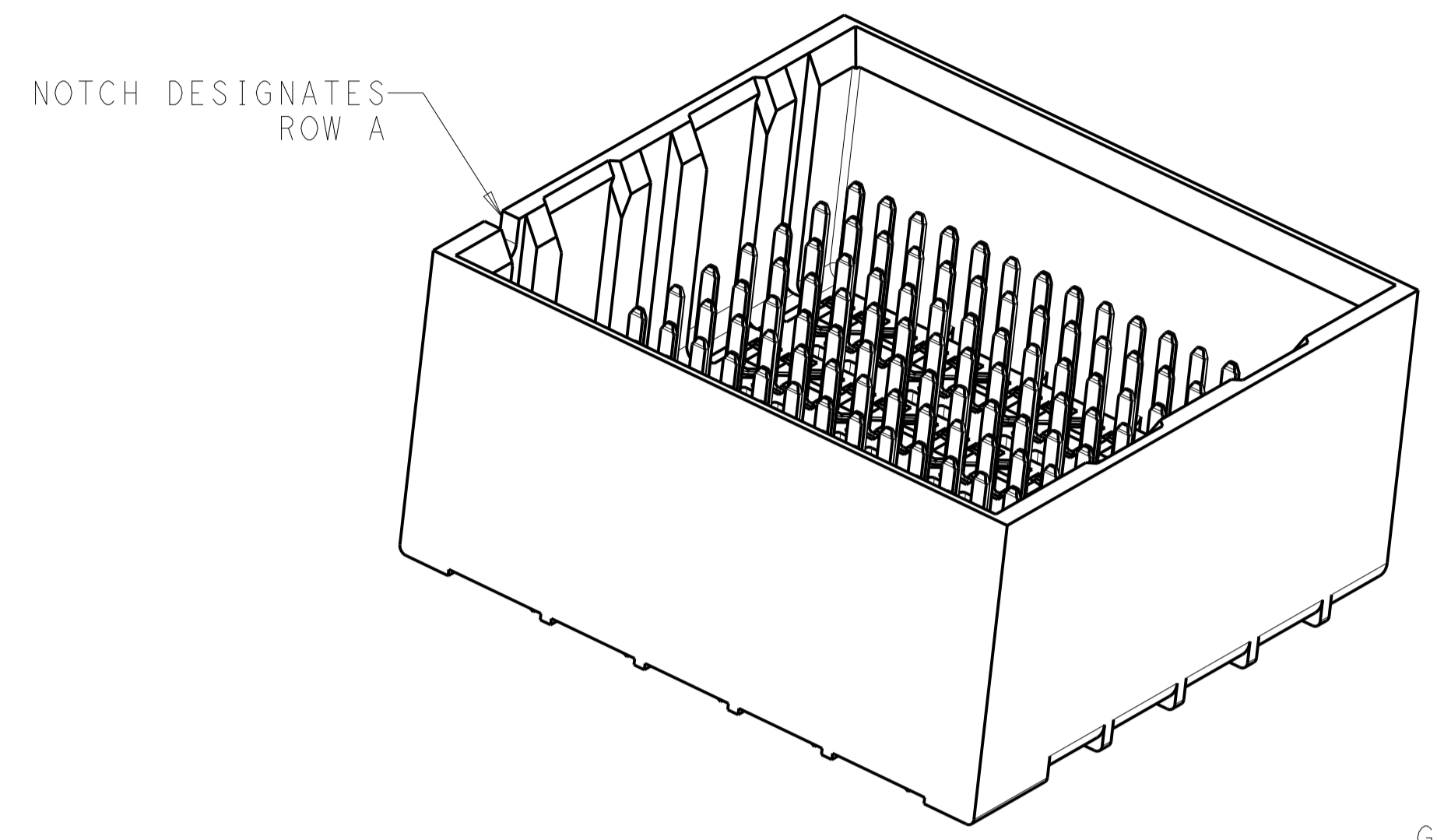
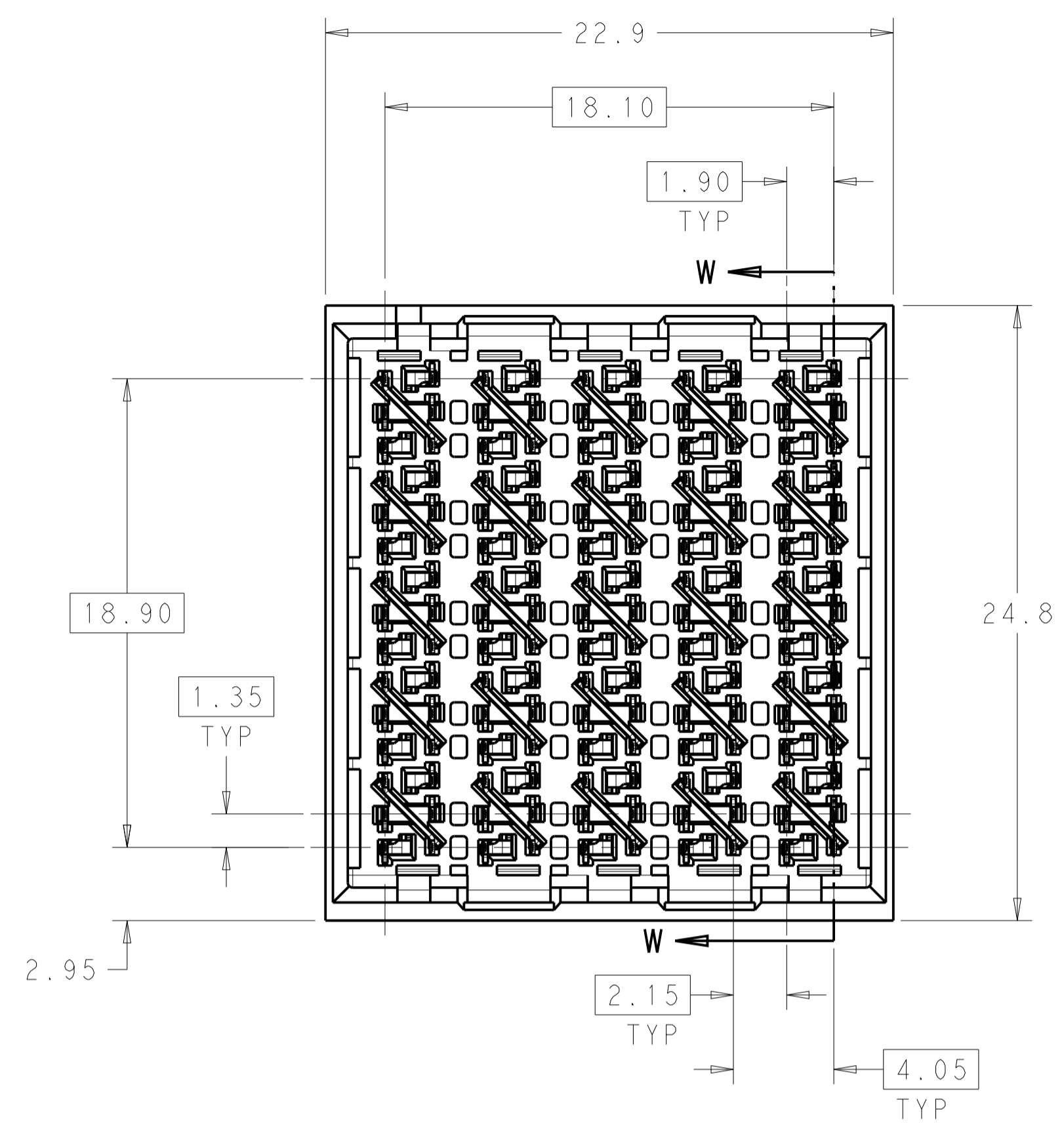
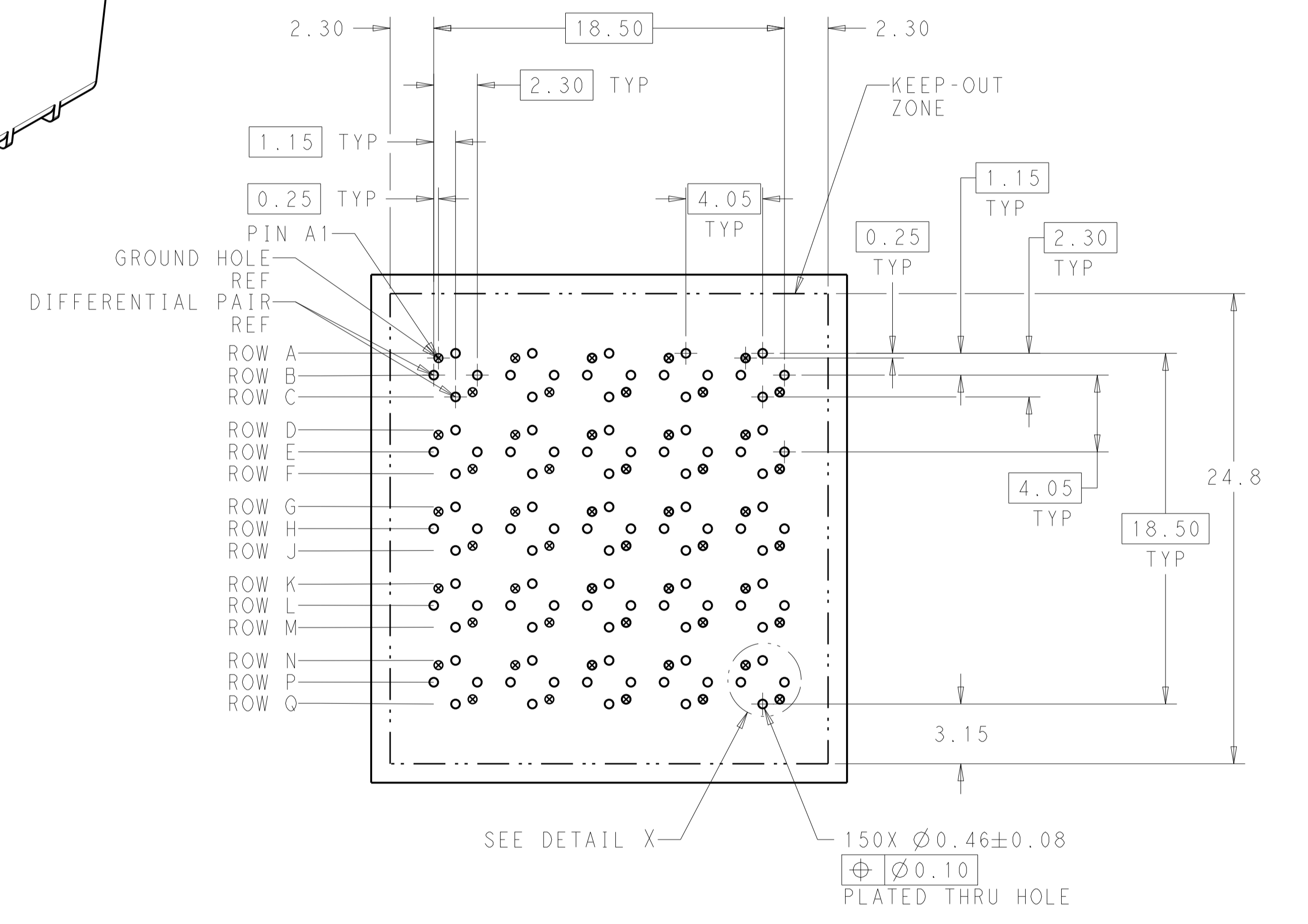


REVISIONS				
REV	LTN	DESCRIPTION	DATE	APP'D
B		REVISED PER ECO-14-013272	09SEP2014	AP DD



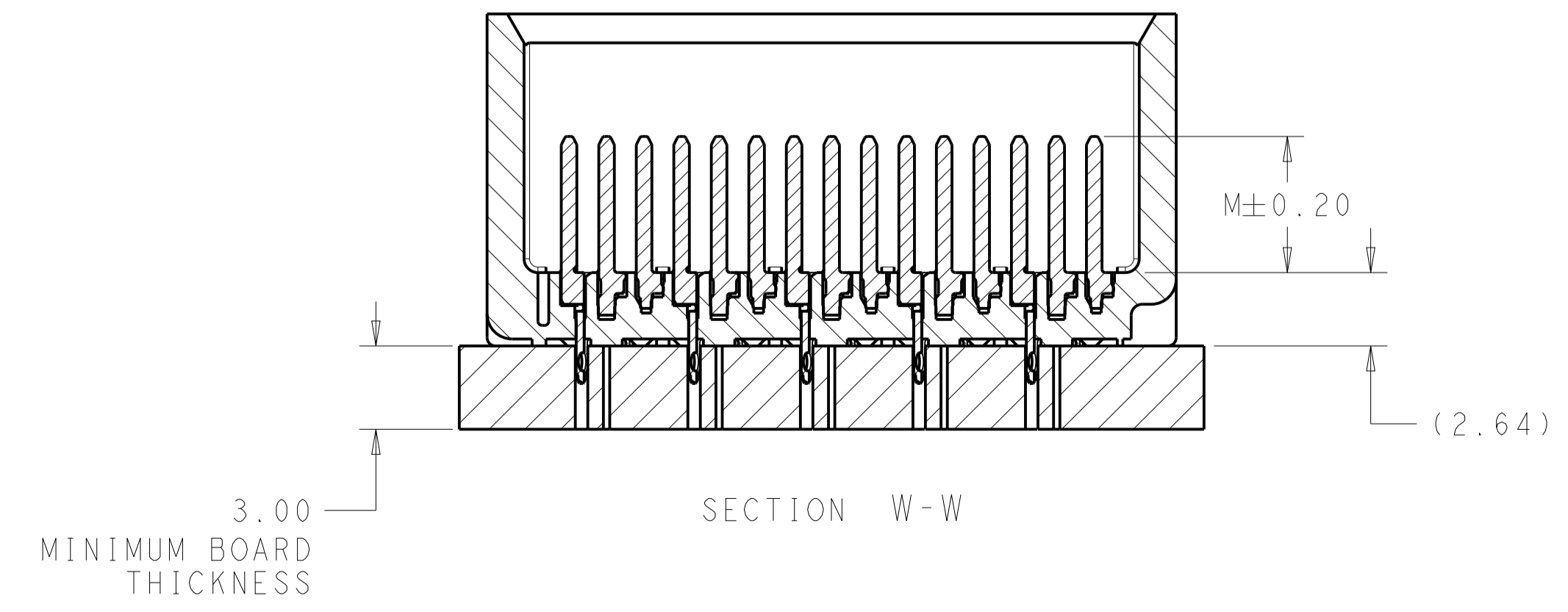
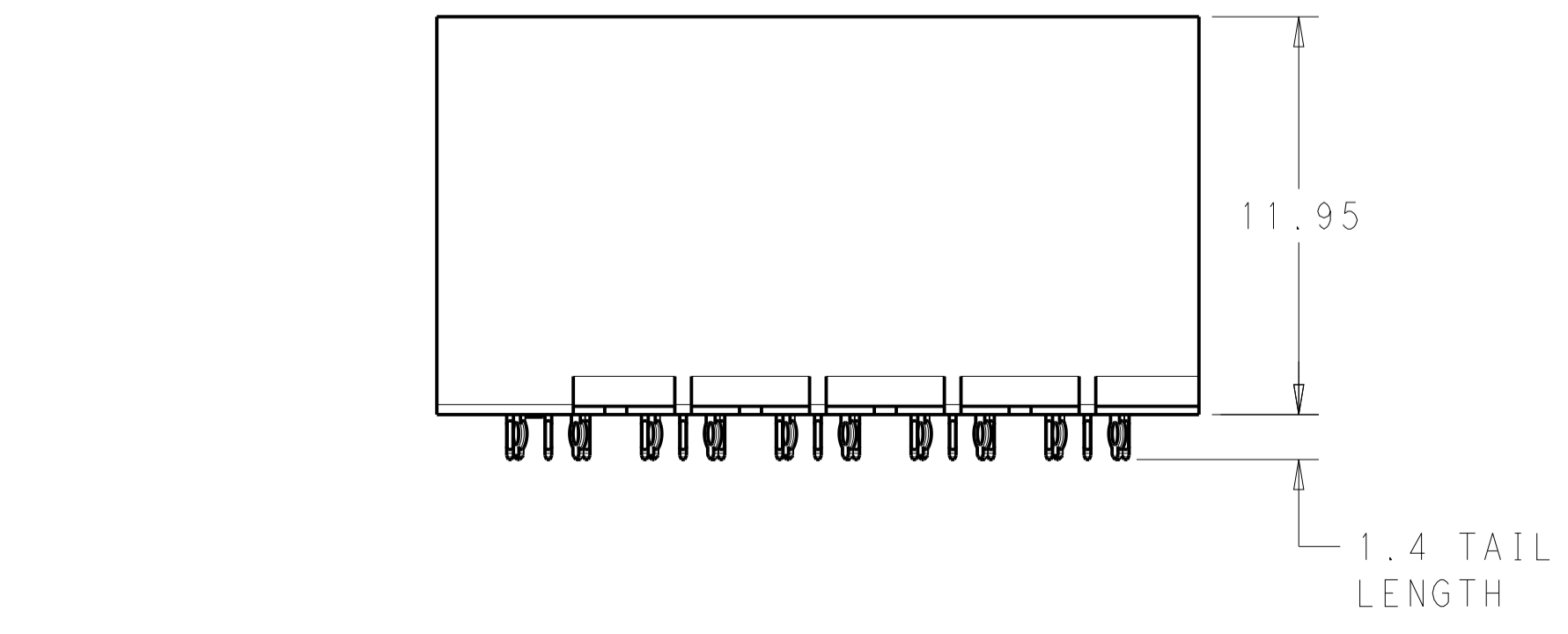
⚠ MATERIAL:
HOUSING: LCP, GLASS FILLED, UL94V-0.
TERMINALS: HIGH PERFORMANCE COPPER ALLOY.

⚠ FINISH:
30μ" MIN GOLD IN CONTACT AREA. SELECTIVE TIN
ON PCB TAILS, NICKEL OVERALL.



UNGUIDED
BACKPLANE HOLE PATTERN
(CONNECTOR SIDE)

REFER TO WWW.TE.COM
FOR PRODUCT AVAILABILITY



2	5.5	2143568-2
2	4.9	2143568-1
FINISH	DIM M	PART NUMBER

THIS DRAWING IS A CONTROLLED DOCUMENT.		OWN: B. CARBO 03AUG2011	NAME: IMPACT, ORTHOGONAL, 5 PAIR, 10 COLUMN HEADER, UNGUIDED, DUAL END WALL SIGNAL MODULE, 0.46 PTH
DIMENSIONS: mm		CHK: J. EARY 03AUG2011	
TOLERANCES UNLESS OTHERWISE SPECIFIED:		APVD: J. EARY 03AUG2011	PRODUCT SPEC: -
0 PLC ±0.25			APPLICATION SPEC: -
2 PLC ±0.13			SIZE: -
3 PLC ±			WEIGHT: -
4 PLC ±			RESTRICTED TO: -
ANGLES ±			SCALE: 5:1
MATERIAL: -		FINISH: SEE TABLE	SHEET 1 OF 1
CUSTOMER DRAWING		SEE TABLE	REV B