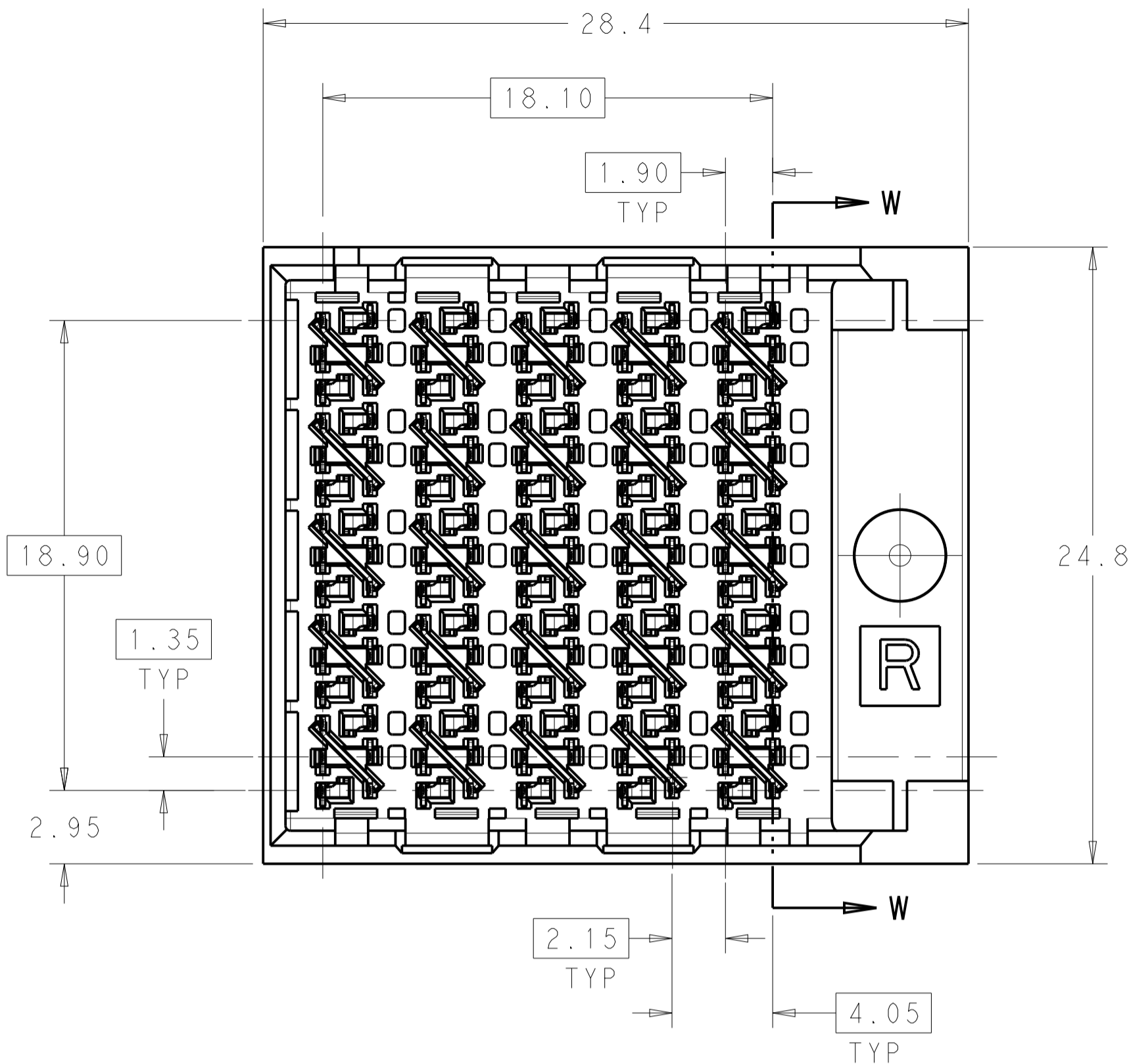
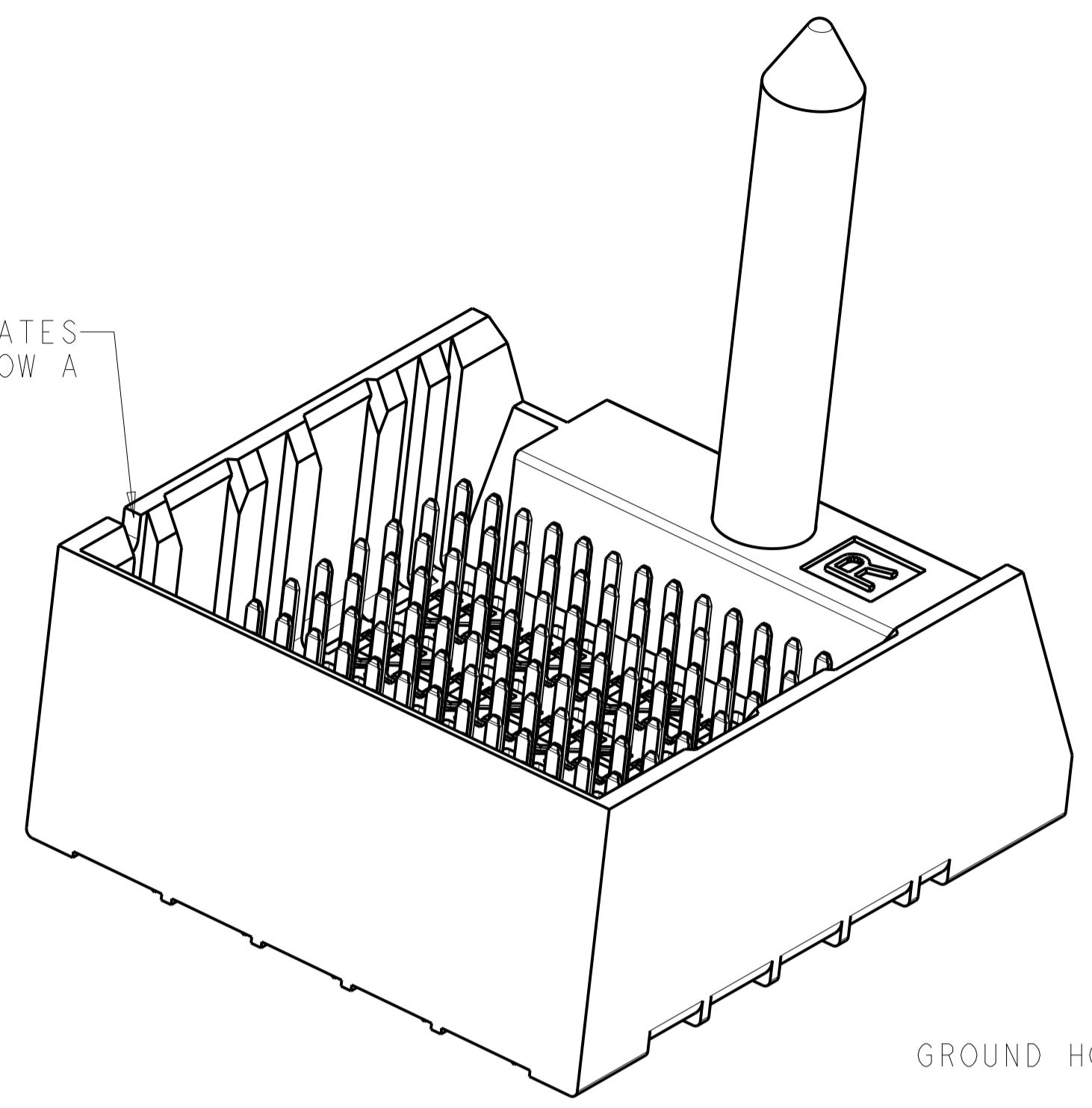


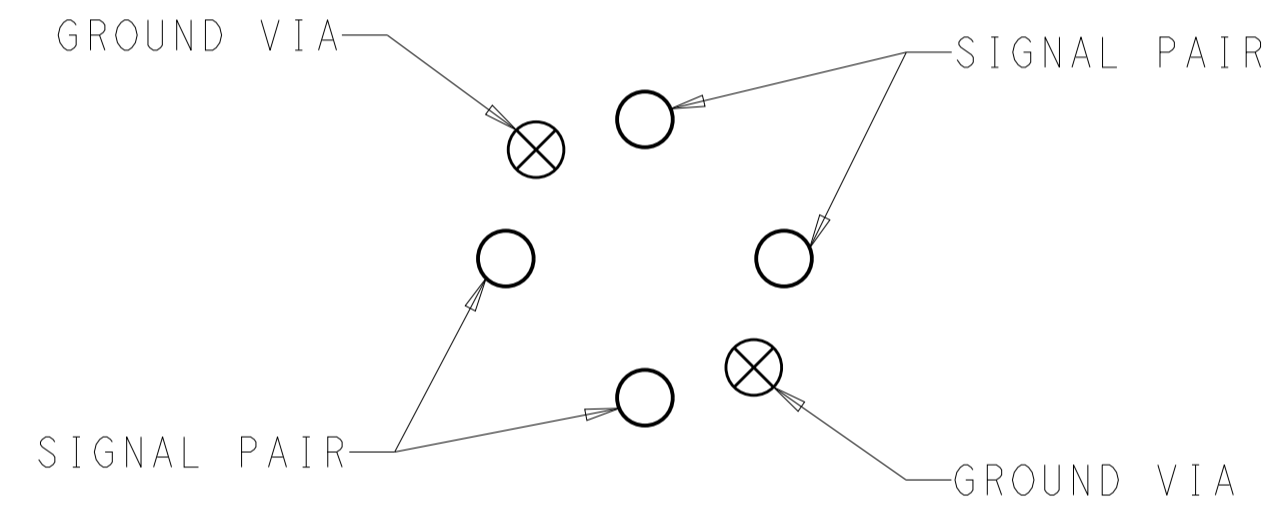
REVISIONS				
REV	LTN	DESCRIPTION	DATE	APV
B		REVISED PER ECO-14-013272	09SEP2014	AP DD



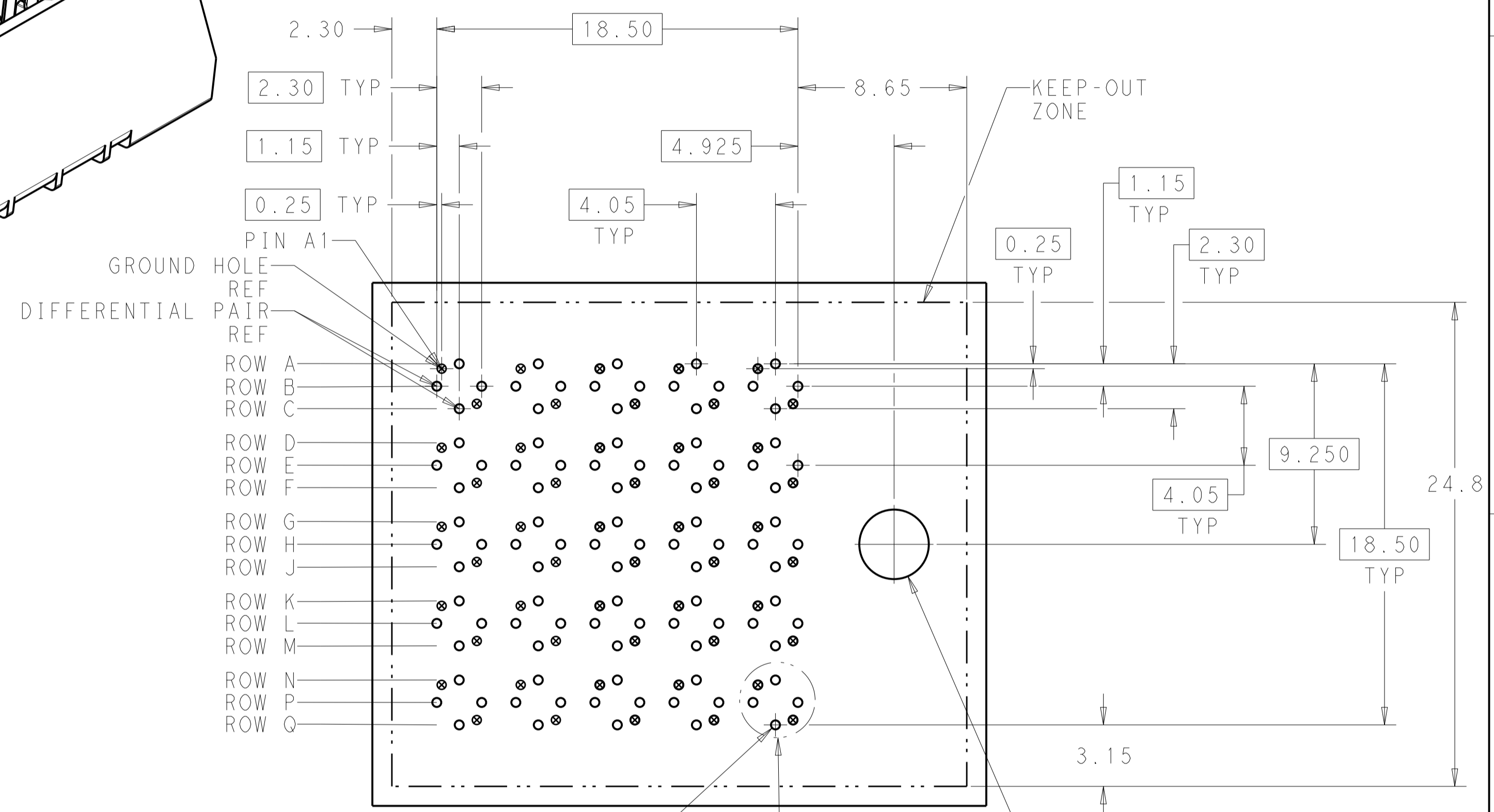
NOTCH DESIGNATES ROW A



- 1 MATERIAL:
HOUSING: LCP, GLASS FILLED, UL94V-0.
TERMINALS: HIGH PERFORMANCE COPPER ALLOY.
- 2 FINISH:
30µ" MIN GOLD IN CONTACT AREA. SELECTIVE TIN ON PCB TAILS, NICKEL OVERALL.
- 3. SCREWS PACKAGED IN END OF PACKAGING TUBE.
- 4 FOR GROUNDED GUIDE PIN USE $\varnothing 3.56 \pm 0.08$ PTH, $\varnothing 3.66$ DRILL, AND $\varnothing 6.5$ PAD.

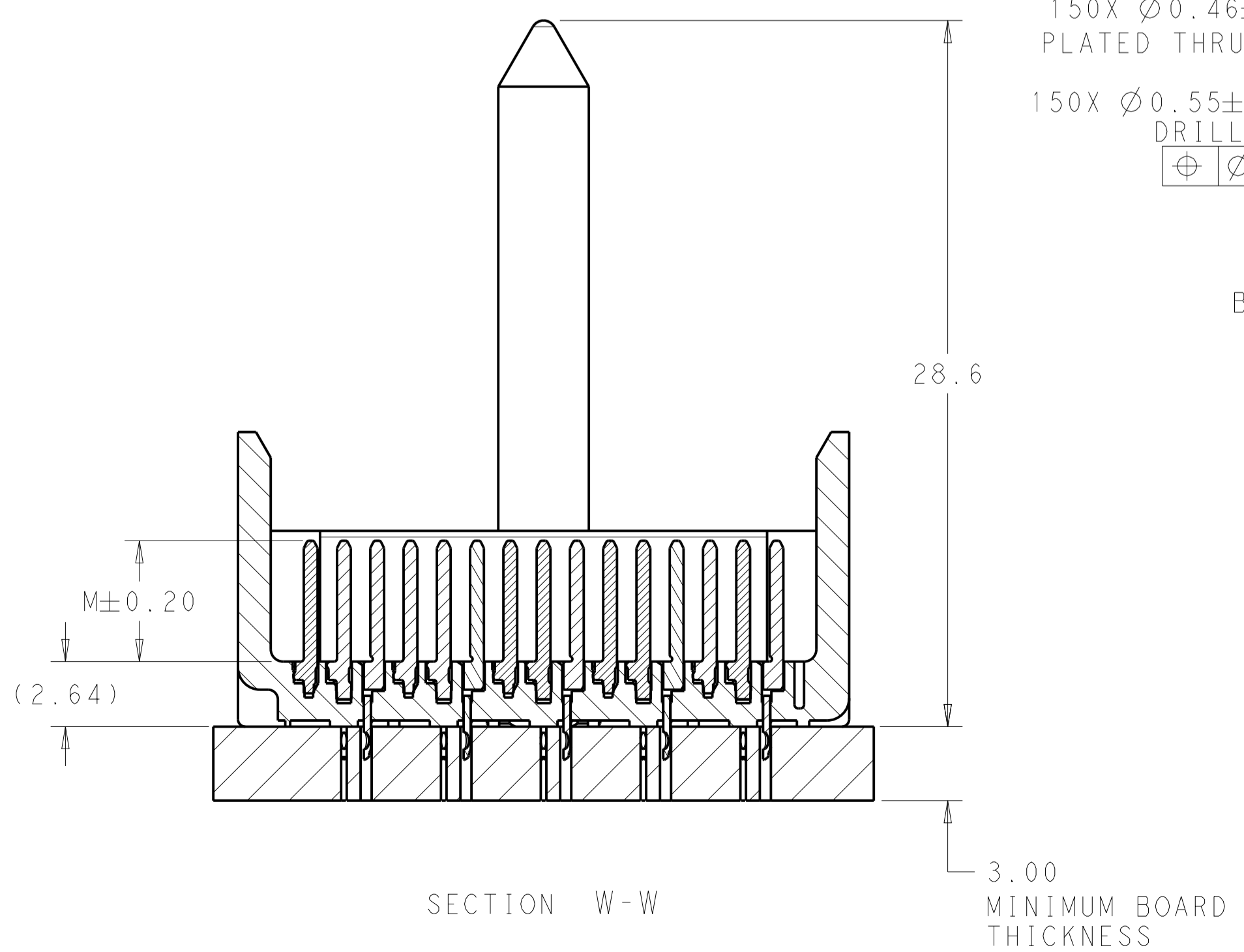
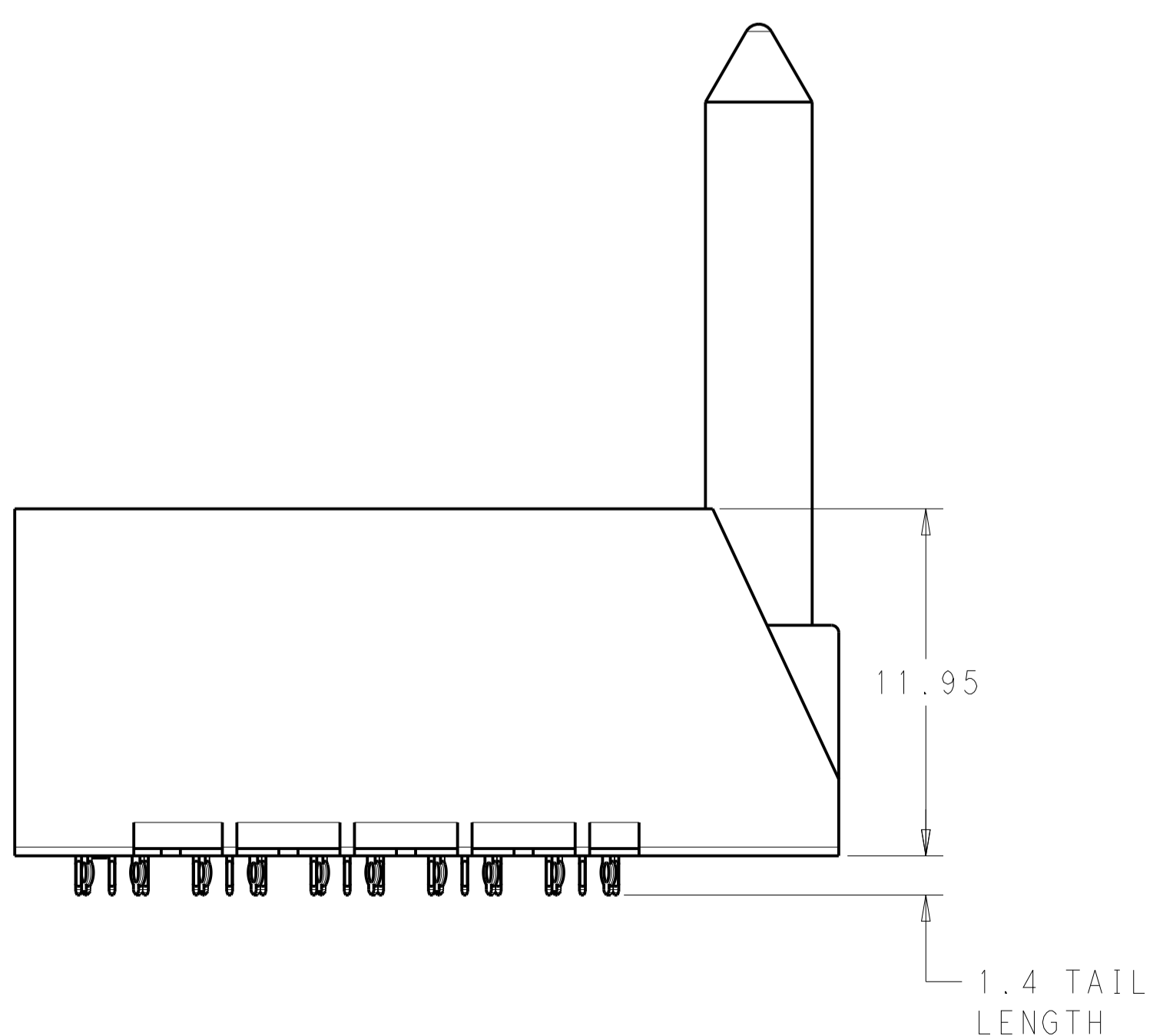


DETAIL X
SCALE 16:1



RIGHT GUIDED
BACKPLANE HOLE PATTERN
(CONNECTOR SIDE)

REFER TO WWW.TE.COM
FOR PRODUCT AVAILABILITY



2	5.5	2143566-2
2	4.9	2143566-1
FINISH	DIM M	PART NUMBER

THIS DRAWING IS A CONTROLLED DOCUMENT.		OWN: HIRAN HOLA 12DEC2012	TE Connectivity
DIMENSIONS: mm		CHK: D. DIXON 12DEC2012	NAME: IMPACT, ORTHOGONAL, 5 PAIR, 10 COLUMN HEADER, RIGHT GUIDED, LEFT END WALL SIGNAL MODULE, 0.46 PTH
TOLERANCES UNLESS OTHERWISE SPECIFIED:		APV: D. DIXON 12DEC2012	
0 PLC	±	PRODUCT SPEC	SIZE: CAGE CODE DRAWING NO. RESTRICTED TO
1 PLC	±0.25	APPLICATION SPEC	A100779C=2143566
2 PLC	±0.13	WEIGHT	SCALE 5:1 SHEET 1 OF 1 REV B
3 PLC	±	CUSTOMER DRAWING	
4 PLC	±		
ANGLES	±		
MATERIAL	SEE TABLE		