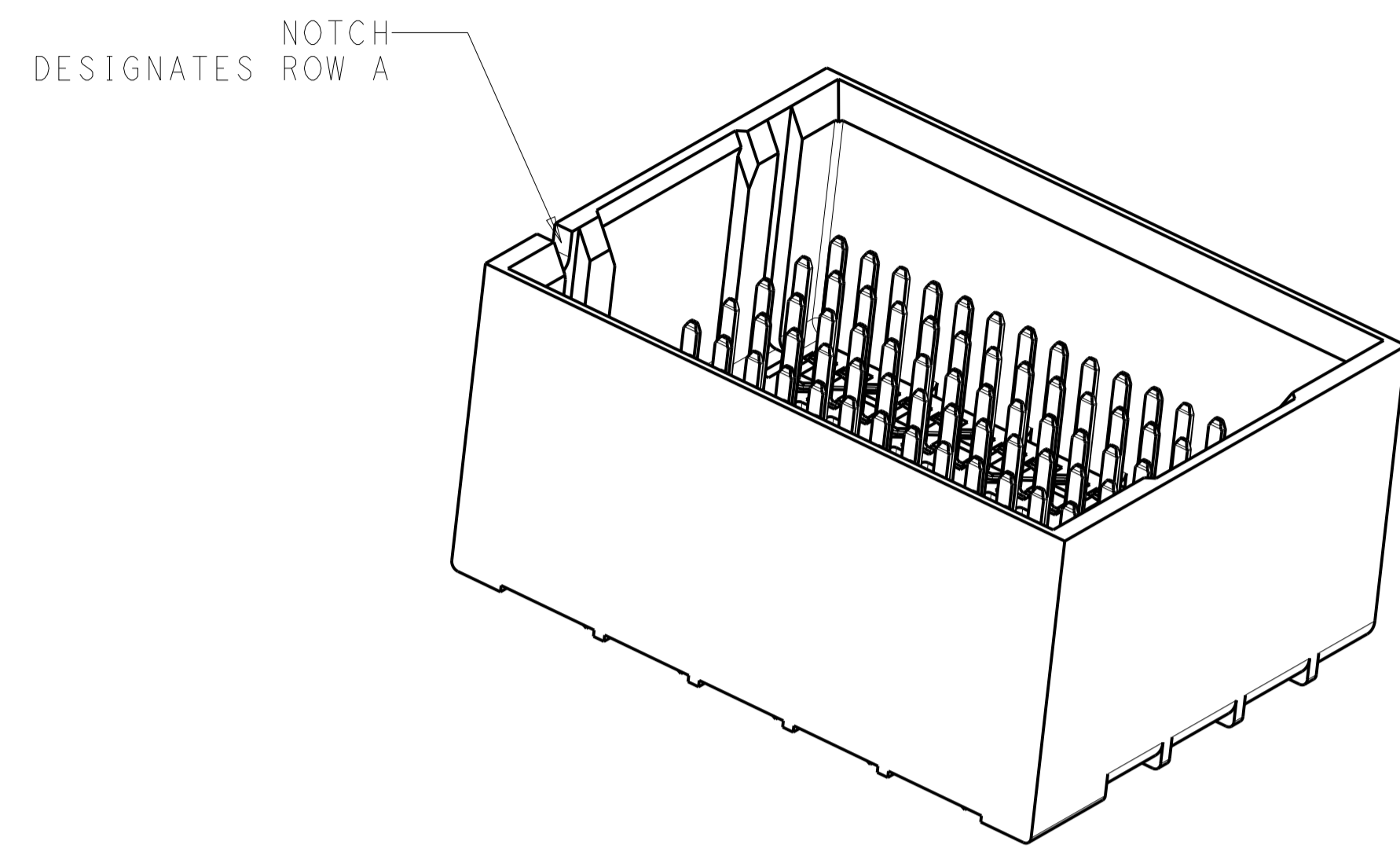
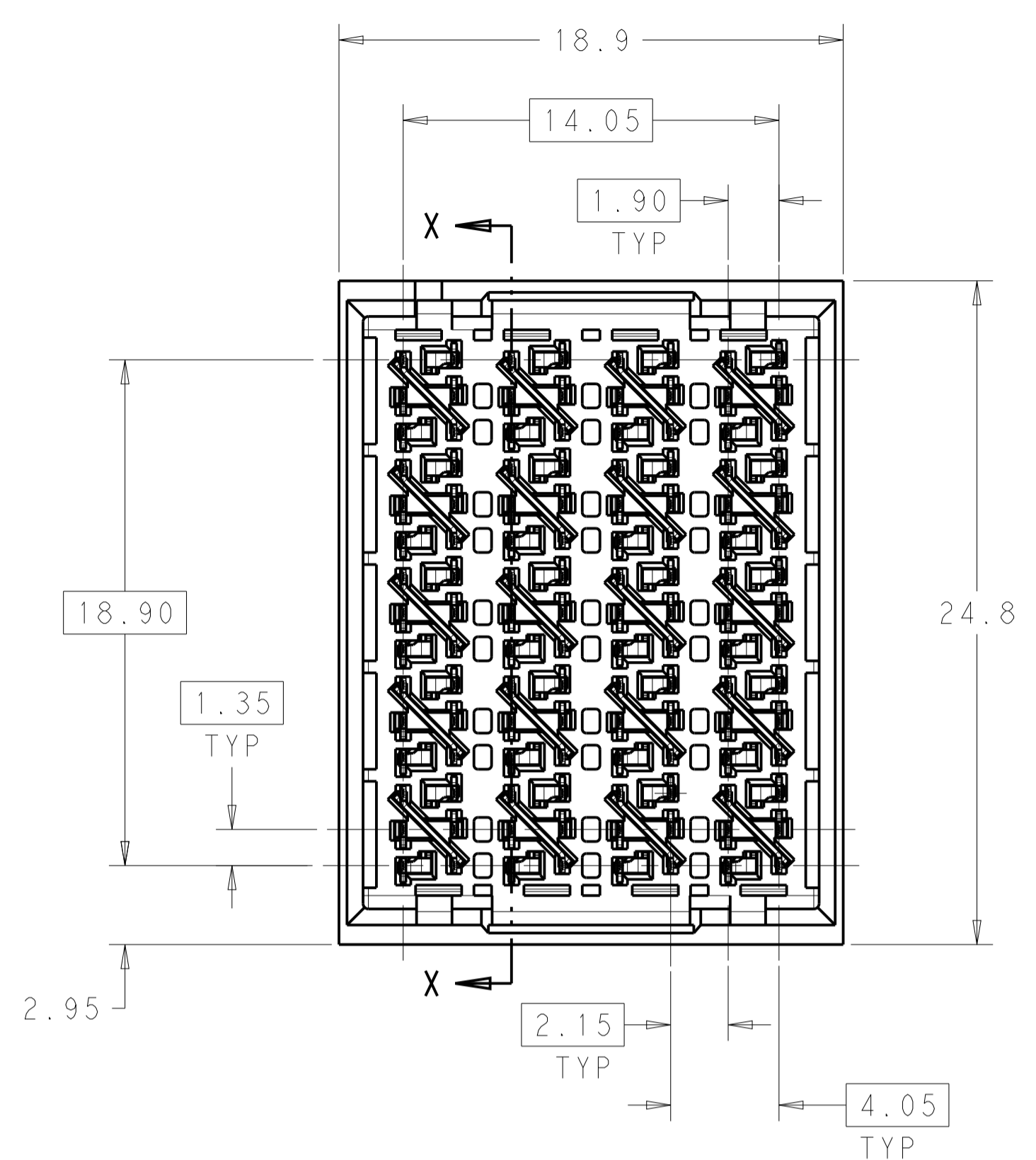
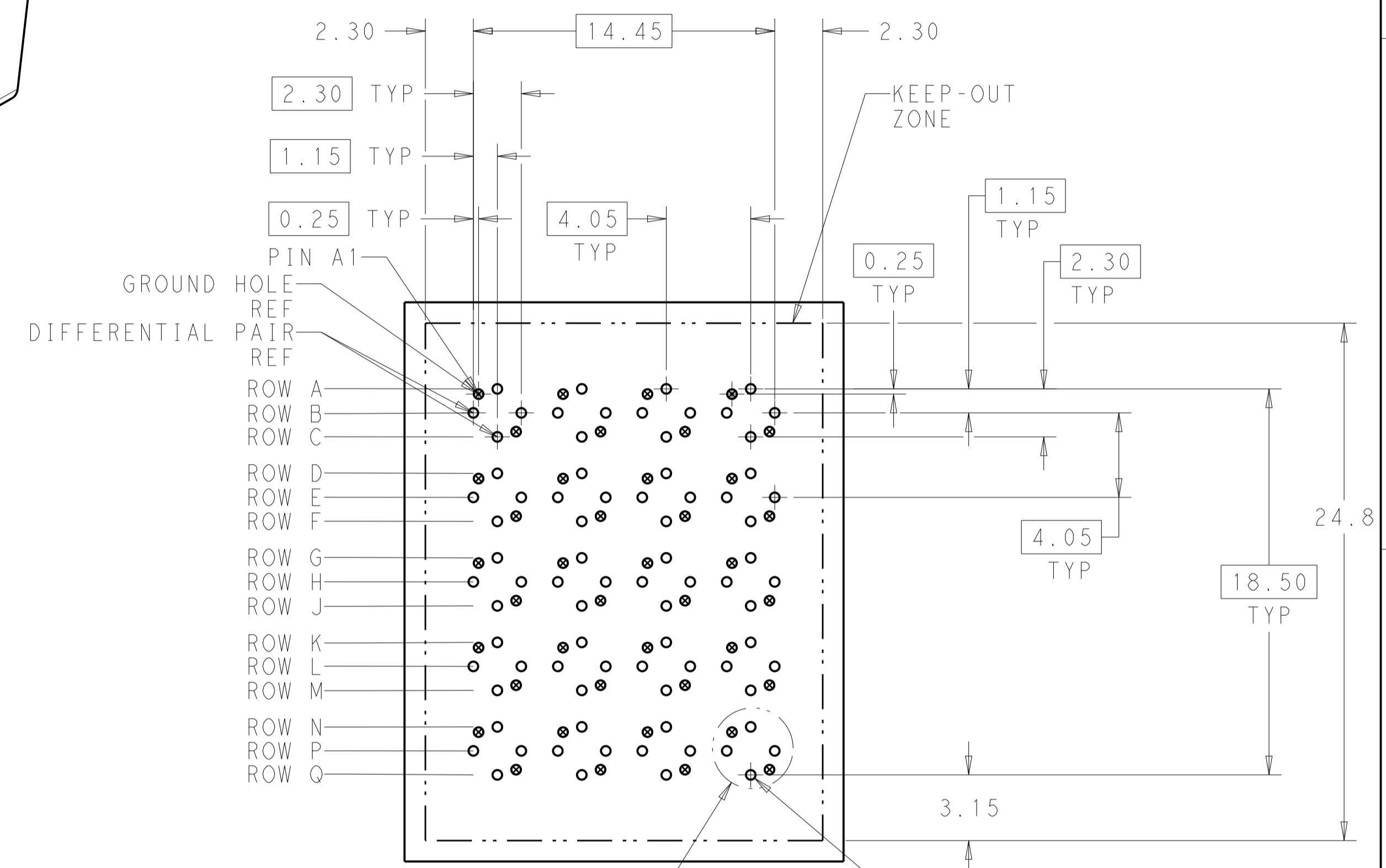
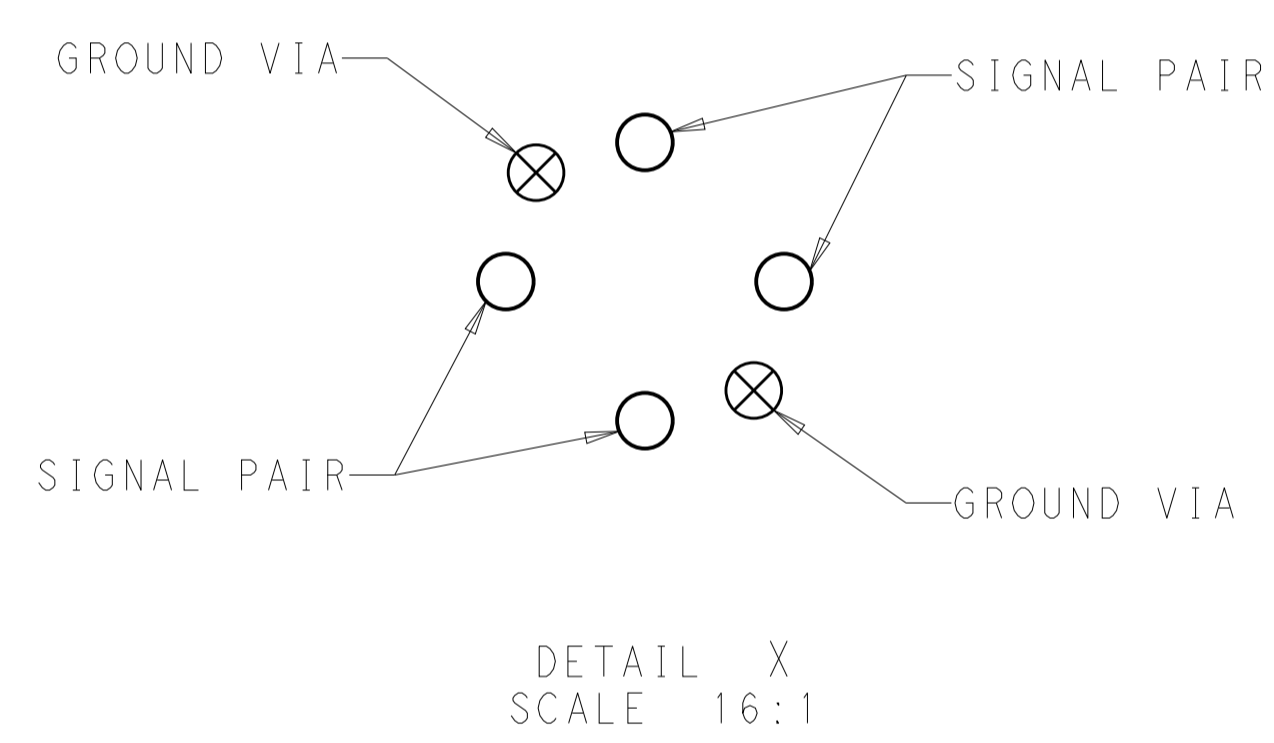


| REVISIONS |     |                           |           |       |
|-----------|-----|---------------------------|-----------|-------|
| P.        | LTN | DESCRIPTION               | DATE      | APV'D |
| B         |     | REVISED PER ECO-14-013272 | 08SEP2014 | AP DD |



△ MATERIAL:  
HOUSING: LCP, GLASS FILLED, UL94V-0.  
TERMINALS: HIGH PERFORMANCE COPPER ALLOY.

△ FINISH:  
30μ" MIN GOLD IN CONTACT AREA. SELECTIVE TIN ON PCB TAILS, NICKEL OVERALL.

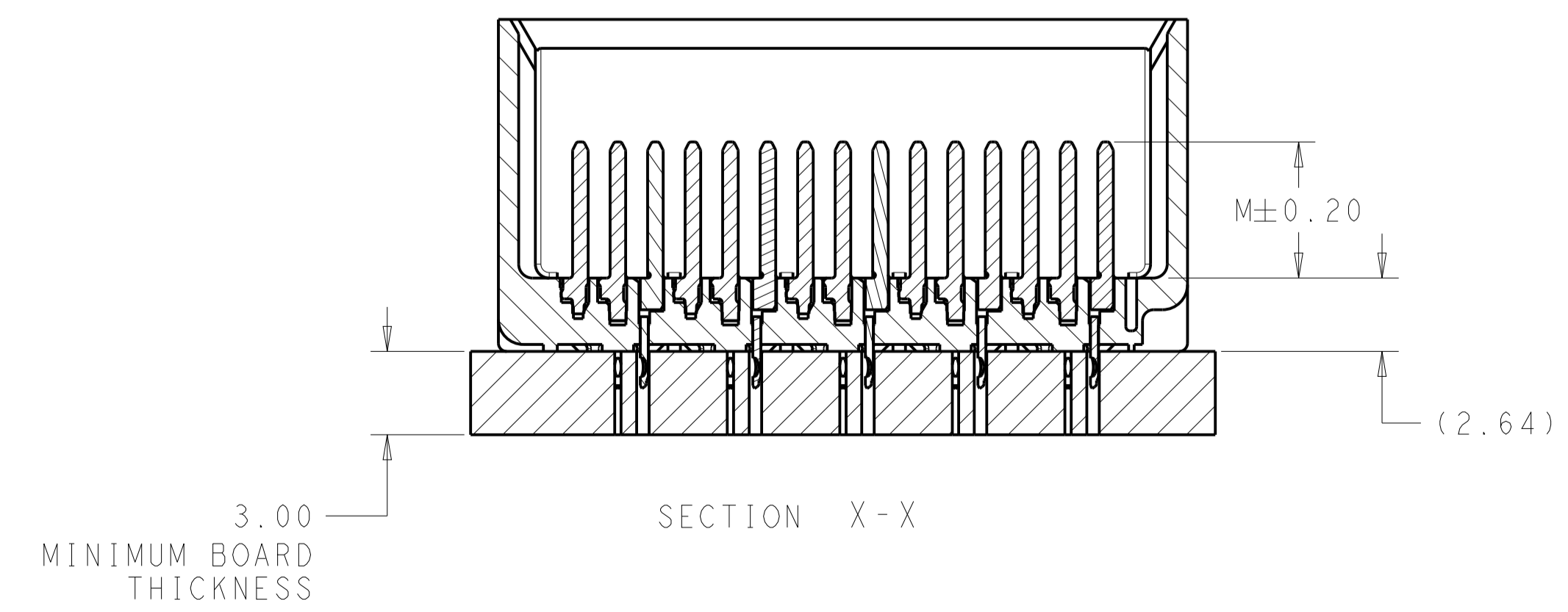
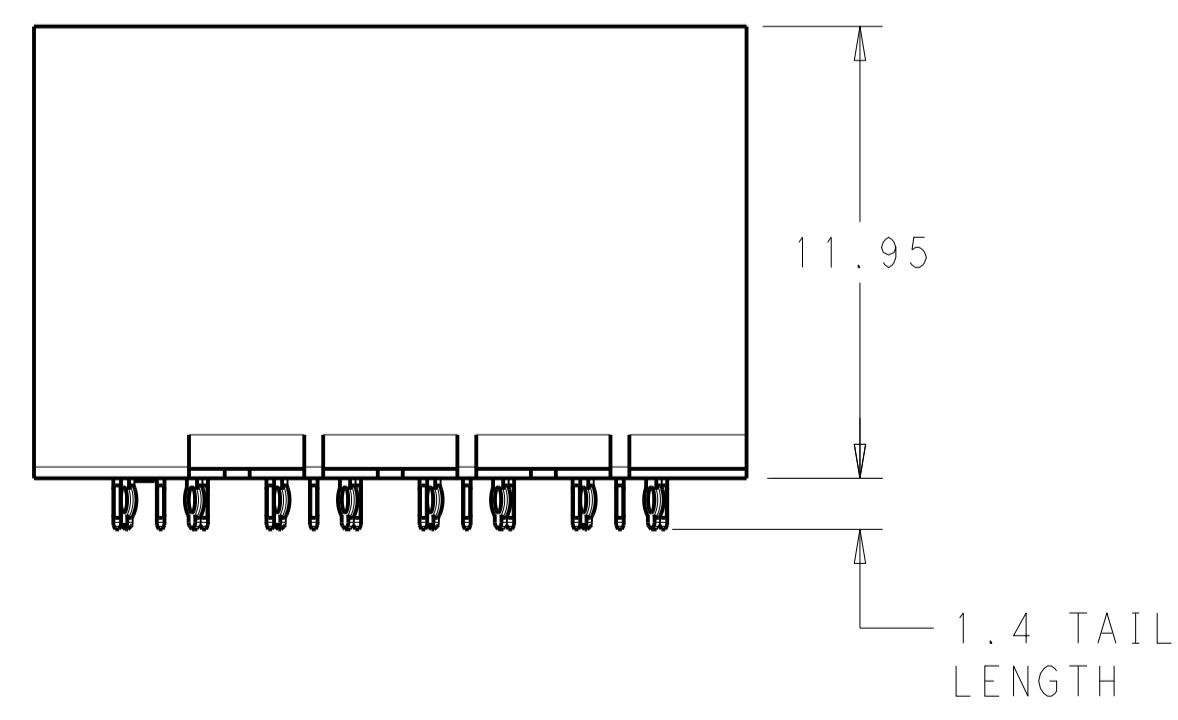


120X Ø0.46±0.08 PLATED THRU HOLE

120X Ø0.55±0.013 DRILL HOLE  
⊕ Ø0.10

UNGUIDED BACKPLANE HOLE PATTERN (CONNECTOR SIDE)

REFER TO WWW.TE.COM FOR PRODUCT AVAILABILITY



| FINISH | DIM M | PART NUMBER |
|--------|-------|-------------|
| △      | 5.5   | 2143556-2   |
| △      | 4.9   | 2143556-1   |

|  |  |                           |  |  |  |
|--|--|---------------------------|--|--|--|
| THIS DRAWING IS A CONTROLLED DOCUMENT. |  | DWN: KIRAN HOLH 30NOV2012 |  | TE Connectivity  |  |
| DIMENSIONS: mm                         |  | CHK: D. DIXON 30NOV2012   |  | NAME: IMPACT, ORTHOGONAL, 5 PAIR, 8 COLUMN HEADER, UNGUIDED, DUAL END WALL SIGNAL MODULE, 0.46 PTH |  |
| TOLERANCES UNLESS OTHERWISE SPECIFIED: |  | APV'D: D. DIXON 30NOV2012 |  | SIZE: CAGE CODE DRAWING NO. RESTRICTED TO  |  |
| 0 PLC ±0.25                            |  | PRODUCT SPEC              |  | A100779C=2143556   |  |
| 2 PLC ±0.13                            |  | APPLICATION SPEC          |  | SCALE: 5:1 SHEET 1 OF 1 REV B  |  |
| 3 PLC ±                                |  | WEIGHT                    |  |  |  |
| 4 PLC ±                                |  | CUSTOMER DRAWING          |  |  |  |
| ANGLES ±                               |  |                           |  |  |  |
| FINISH SEE TABLE                       |  |                           |  |  |  |