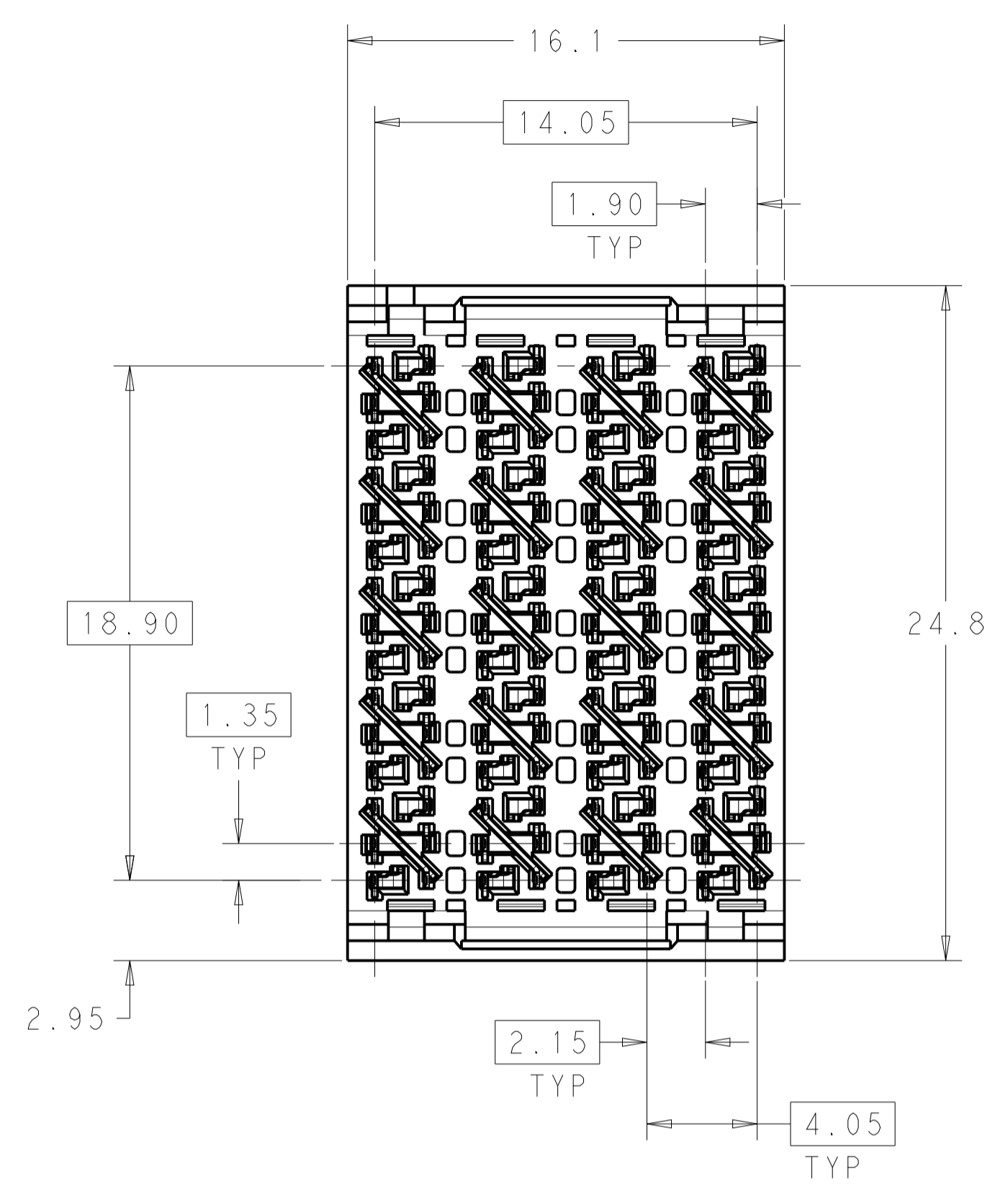
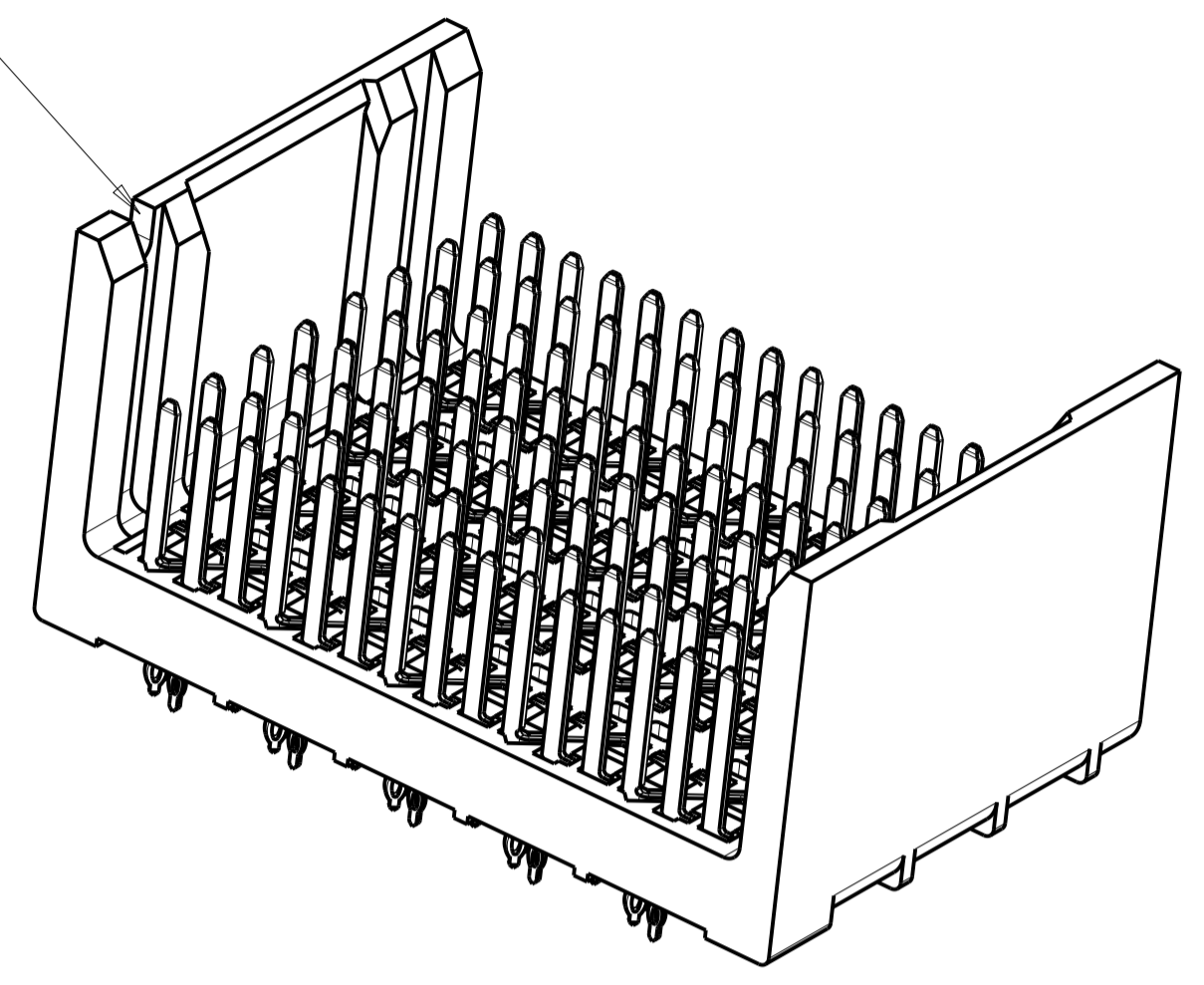


REVISIONS				
P.	LTN	DESCRIPTION	DATE	APV
B		REVISED PER ECO-14-013272	08SEP2014	AP DD

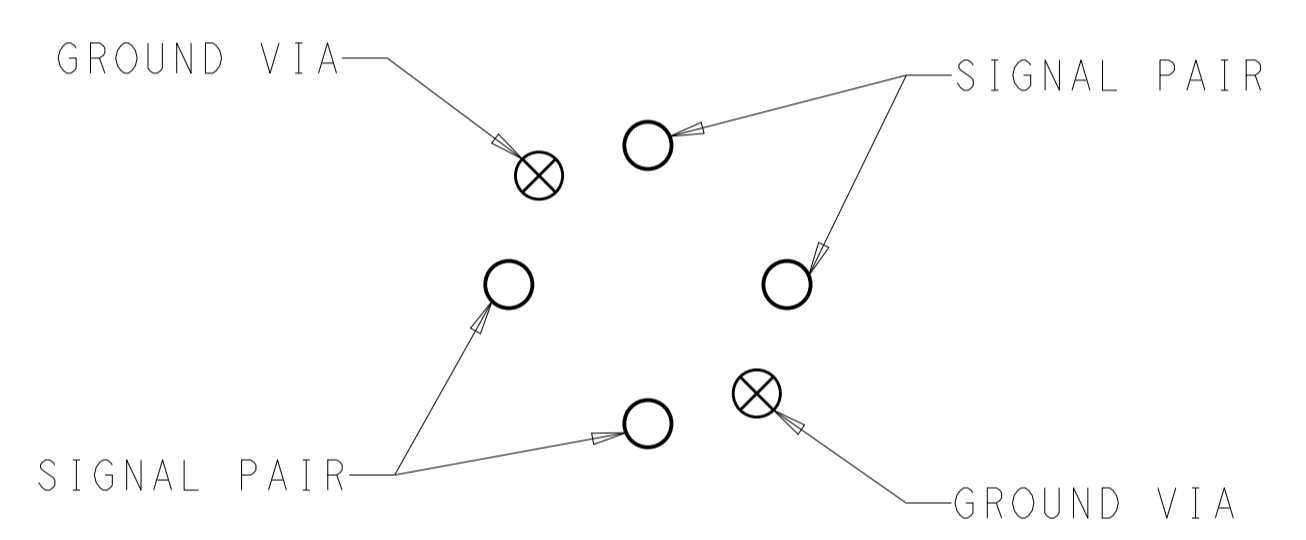


NOTCH DESIGNATES ROW A

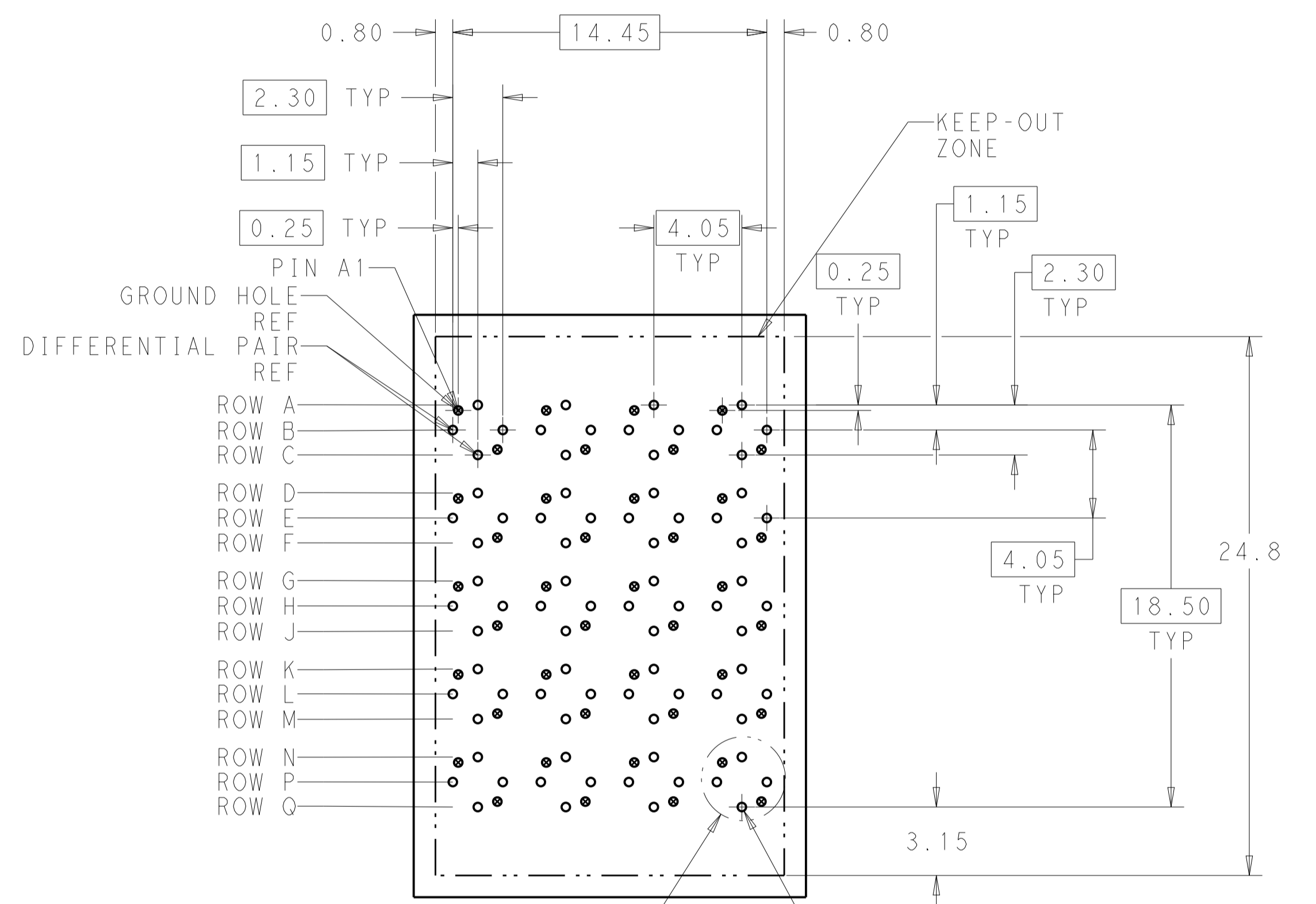


△ MATERIAL:
HOUSING: LCP, GLASS FILLED, UL94V-0.
TERMINALS: HIGH PERFORMANCE COPPER ALLOY.

△ FINISH:
30μ" MIN GOLD IN CONTACT AREA. SELECTIVE TIN ON PCB TAILS, NICKEL OVERALL.



DETAIL X
SCALE 16:1



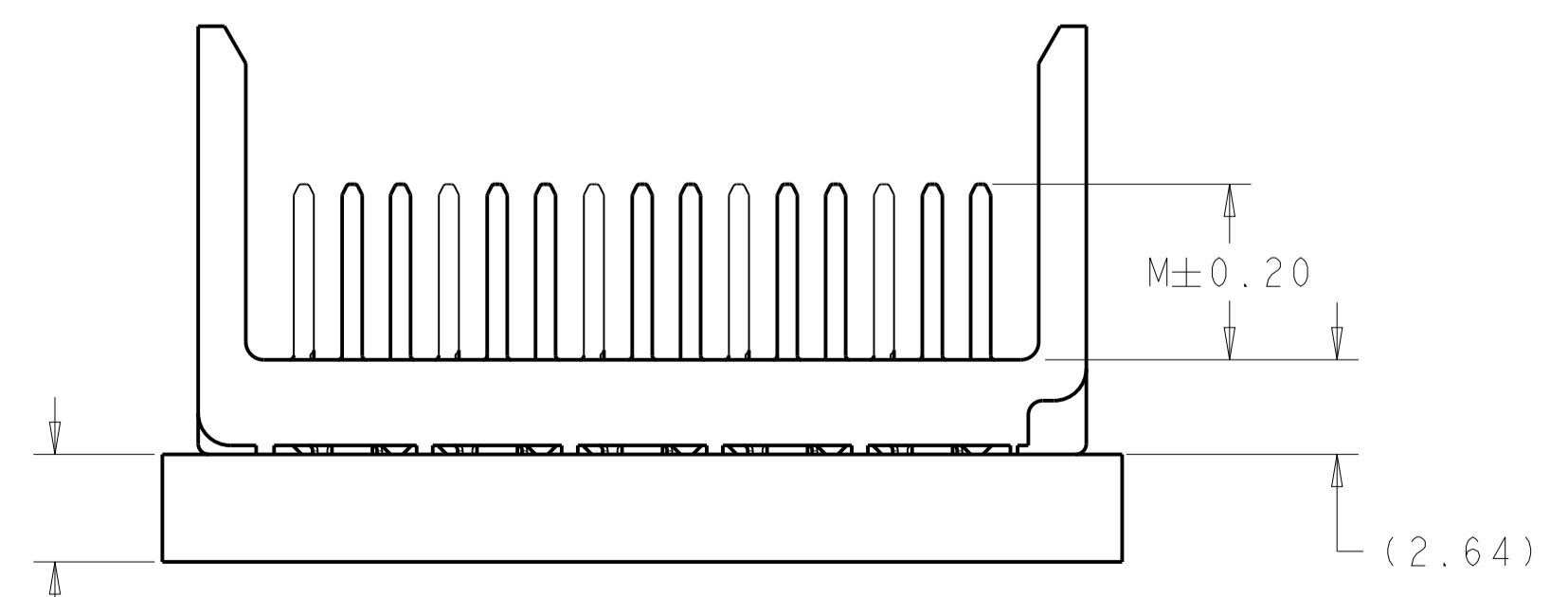
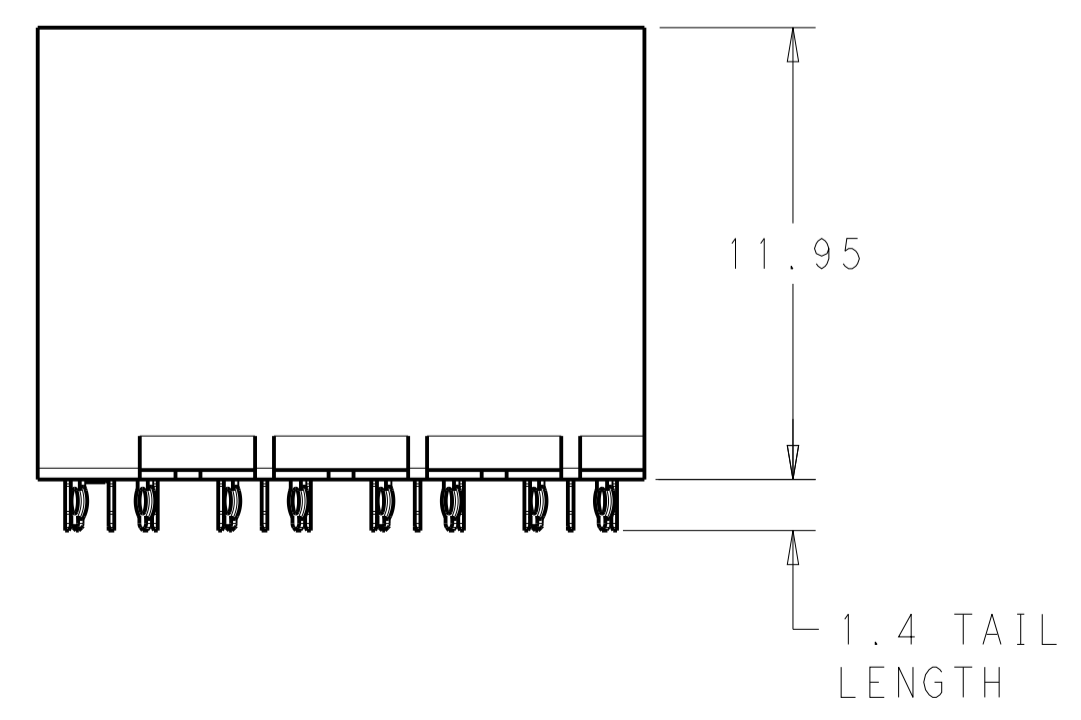
SEE DETAIL X

120X Ø0.39±0.08 PLATED THRU HOLE

120X Ø0.48±0.013 DRILL HOLE
⊕ Ø0.10

UNGUIDED BACKPLANE HOLE PATTERN (CONNECTOR SIDE)

REFER TO WWW.TE.COM FOR PRODUCT AVAILABILITY



3.00 MINIMUM BOARD THICKNESS

△	5.5	2143549-2
△	4.9	2143549-1
FINISH	DIM M	PART NUMBER

THIS DRAWING IS A CONTROLLED DOCUMENT.		DWN: KIRAN HOLAL 14NOV2013	TE Connectivity
DIMENSIONS: mm		CHK: D. DIXON 14NOV2013	
TOLERANCES UNLESS OTHERWISE SPECIFIED:		APV: D. DIXON 14NOV2013	NAME: IMPACT, ORTHOGONAL, 5 PAIR, 8 COLUMN HEADER, UNGUIDED, OPEN END WALL SIGNAL MODULE, 0.39 PTH SIZE: CAGE CODE DRAWING NO: A100779 ©=2143549 RESTRICTED TO: Customer Drawing
0 PLC ± 2 PLC ±0.25 3 PLC ±0.13 4 PLC ± ANGLES ±		PRODUCT SPEC: APPLICATION SPEC: WEIGHT: SCALE: 5:1 SHEET 1 OF 1 REV B	