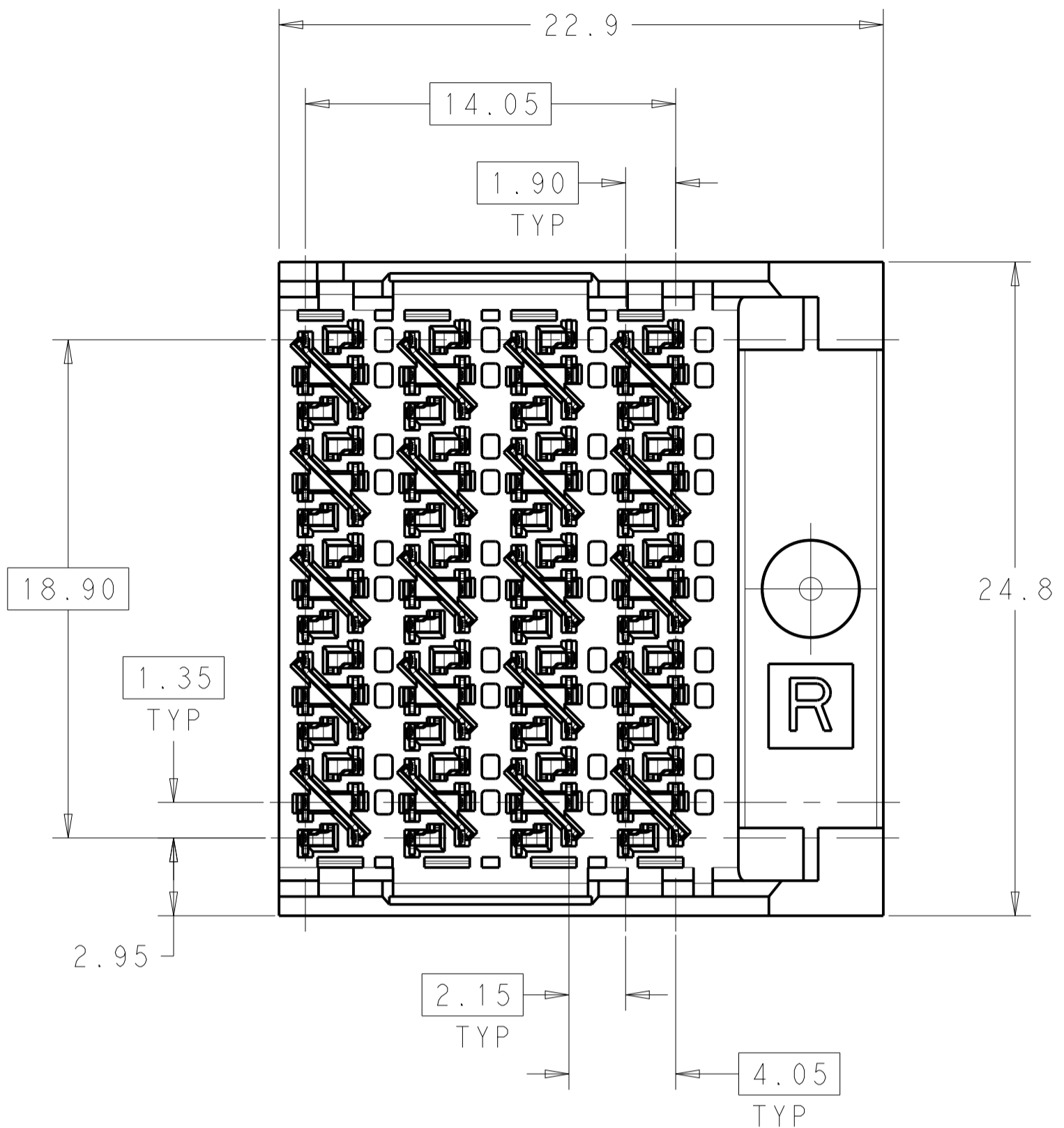
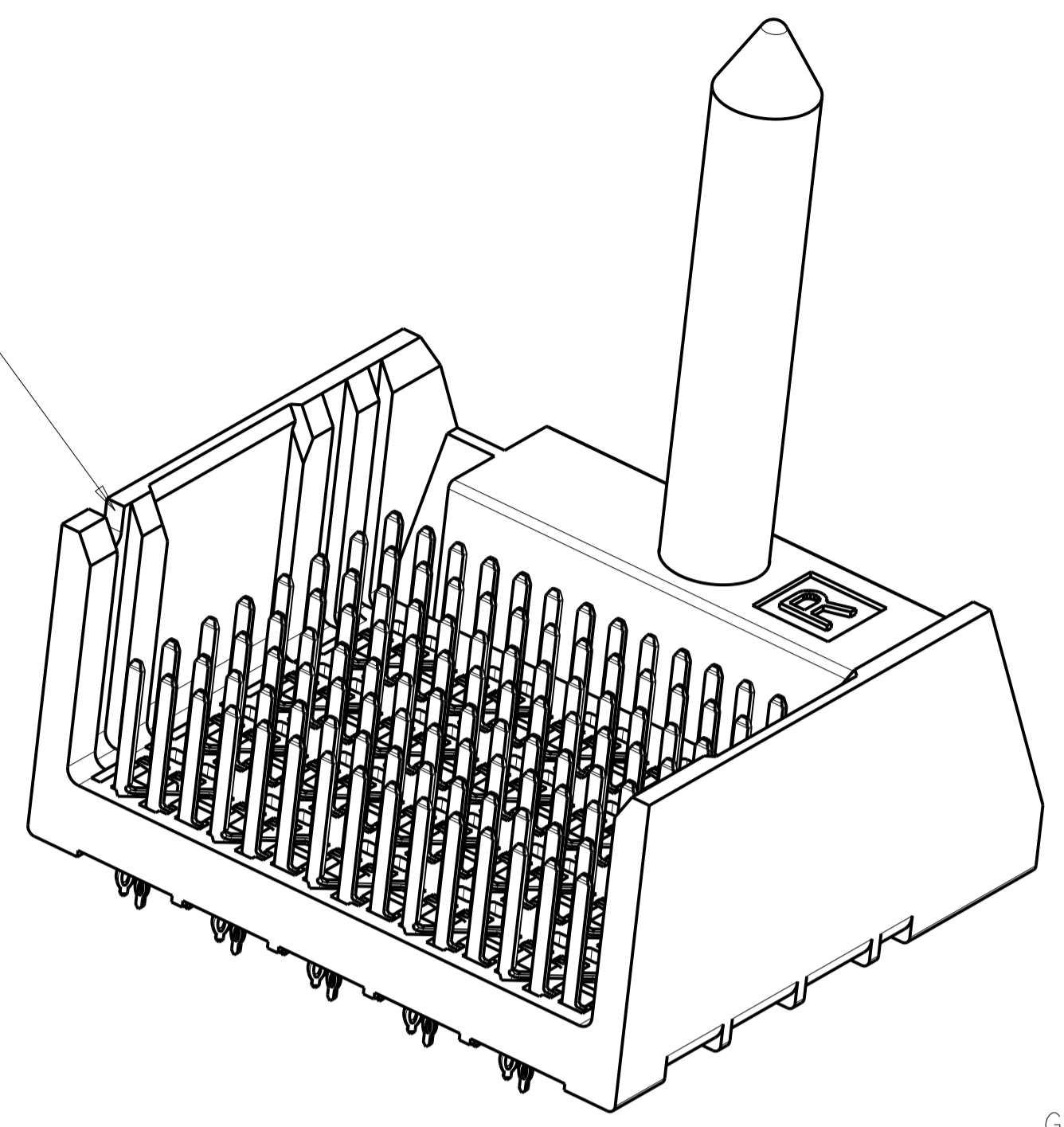


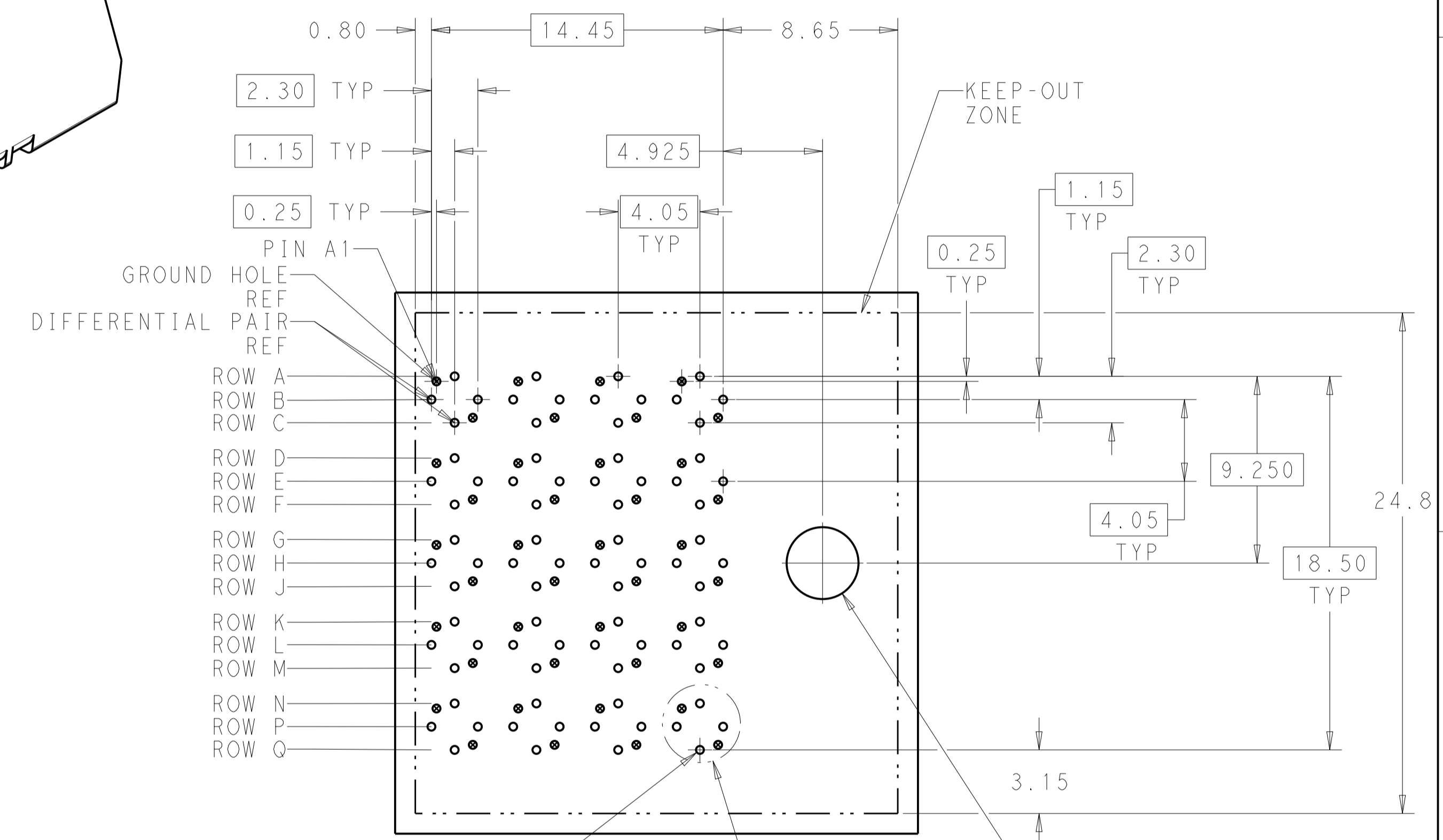
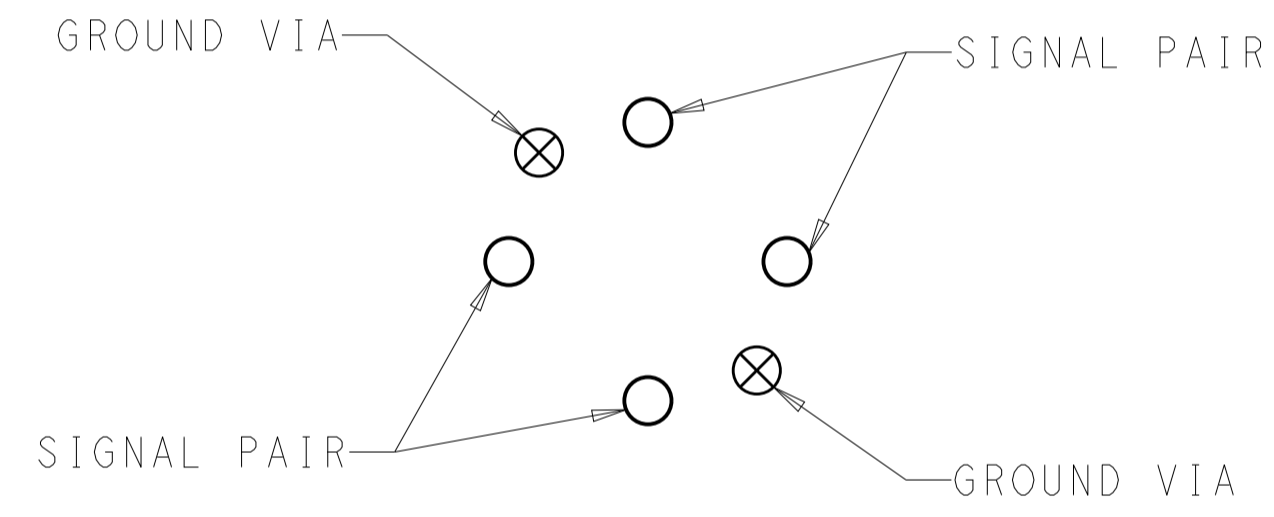
REVISIONS				
REV	LTN	DESCRIPTION	DATE	APV
B		REVISED PER ECO-14-013272	08SEP2014	AP DD



NOTCH DESIGNATES ROW A



- 1 MATERIAL:
HOUSING: LCP, GLASS FILLED, UL94V-0.
TERMINALS: HIGH PERFORMANCE COPPER ALLOY.
- 2 FINISH:
30μ" MIN GOLD IN CONTACT AREA. SELECTIVE TIN ON PCB TAILS, NICKEL OVERALL.
- 3. SCREWS PACKAGED IN END OF PACKAGING TUBE.
- 4 FOR GROUNDED GUIDE PIN USE $\varnothing 3.56 \pm 0.08$ PTH, $\varnothing 3.66$ DRILL, AND $\varnothing 6.5$ PAD.

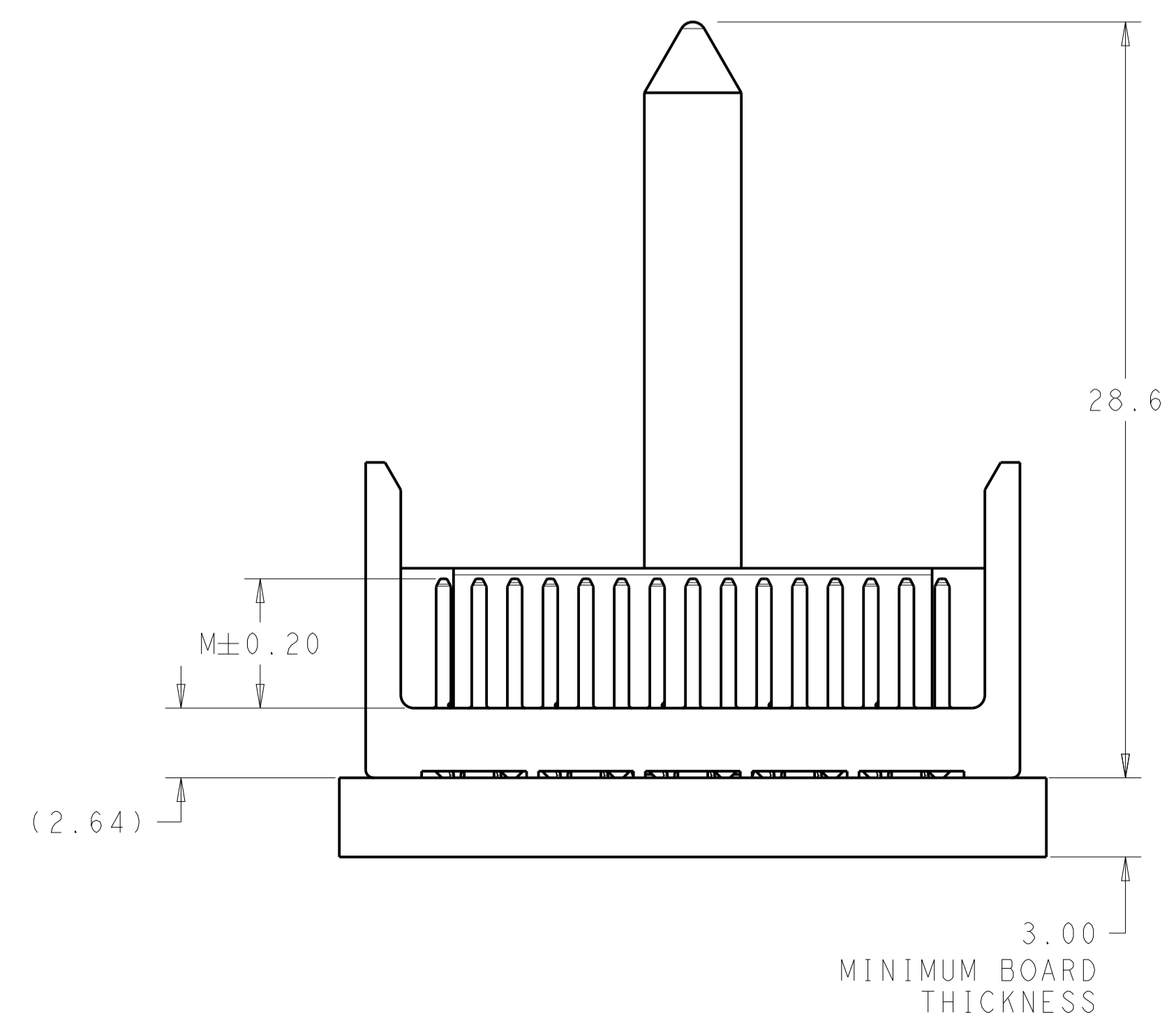
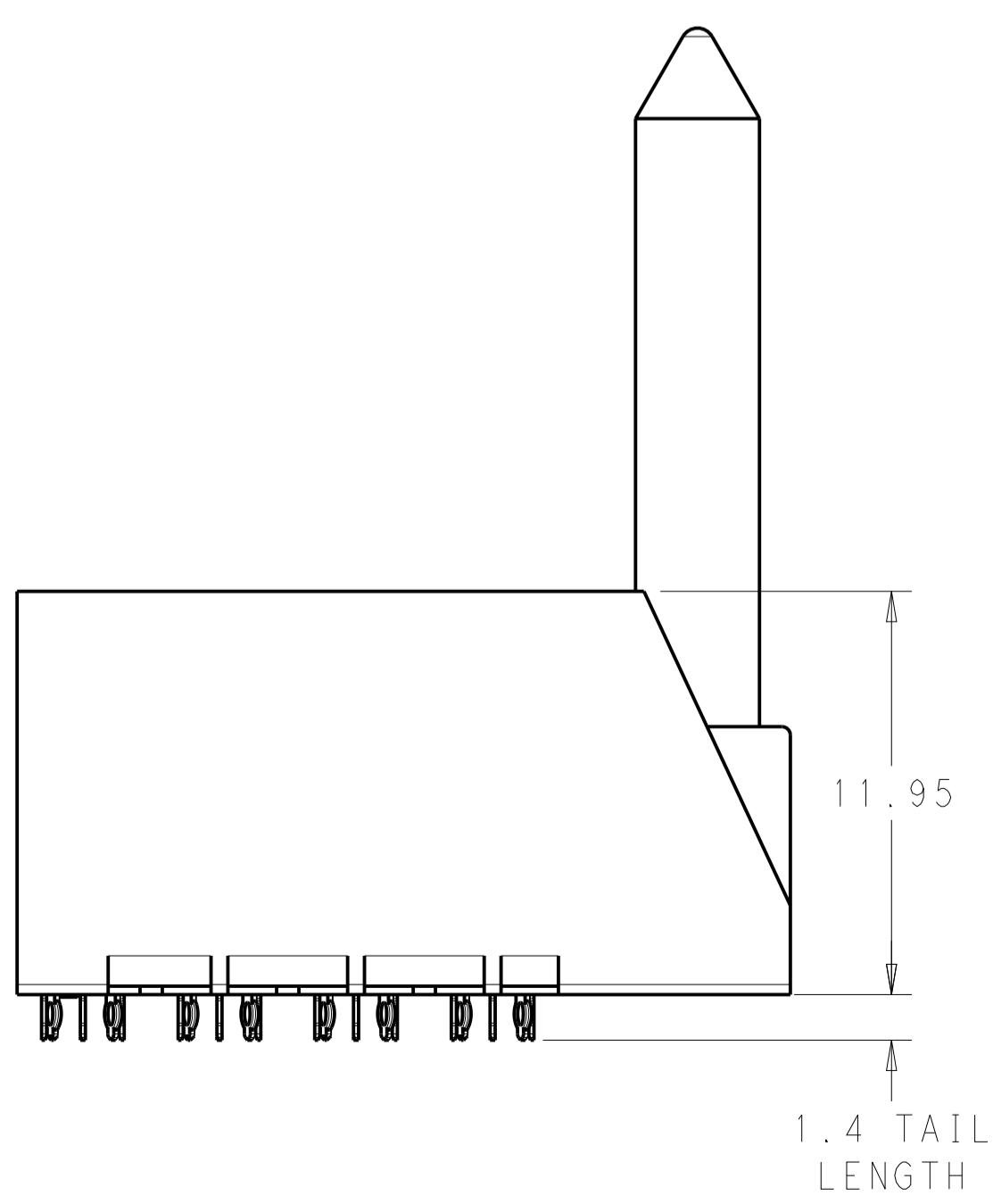


120X $\varnothing 0.39 \pm 0.08$ PLATED THRU HOLE
120X $\varnothing 0.48 \pm 0.013$ DRILL HOLE
 $\varnothing 0.10$

RIGHT GUIDED BACKPLANE HOLE PATTERN (CONNECTOR SIDE)

$\varnothing 3.56 \pm 0.08$
 $\varnothing 0.15$ UNPLATED SCREW HOLE 4

REFER TO WWW.TE.COM FOR PRODUCT AVAILABILITY



2	5.5	2143547-2
2	4.9	2143547-1
FINISH	DIM M	PART NUMBER

THIS DRAWING IS A CONTROLLED DOCUMENT.		OWN: KIRAN HOLAL 11DEC2012	NAME: IMPACT, ORTHOGONAL, 5 PAIR, 8 COLUMN HEADER, RIGHT GUIDED, OPEN END WALL SIGNAL MODULE, 0.39 PTH
DIMENSIONS: mm		CHK: D. DIXON 11DEC2012	SIZE: A1
TOLERANCES UNLESS OTHERWISE SPECIFIED:		APV: D. DIXON 11DEC2012	SCALE: 5:1
0 PLC	±	PRODUCT SPEC	SHEET 1 OF 1
1 PLC	±0.25	APPLICATION SPEC	REV B
2 PLC	±0.13	WEIGHT	
3 PLC	±	Customer Drawing	
4 PLC	±		
ANGLES	±		
MATERIAL	SEE TABLE		