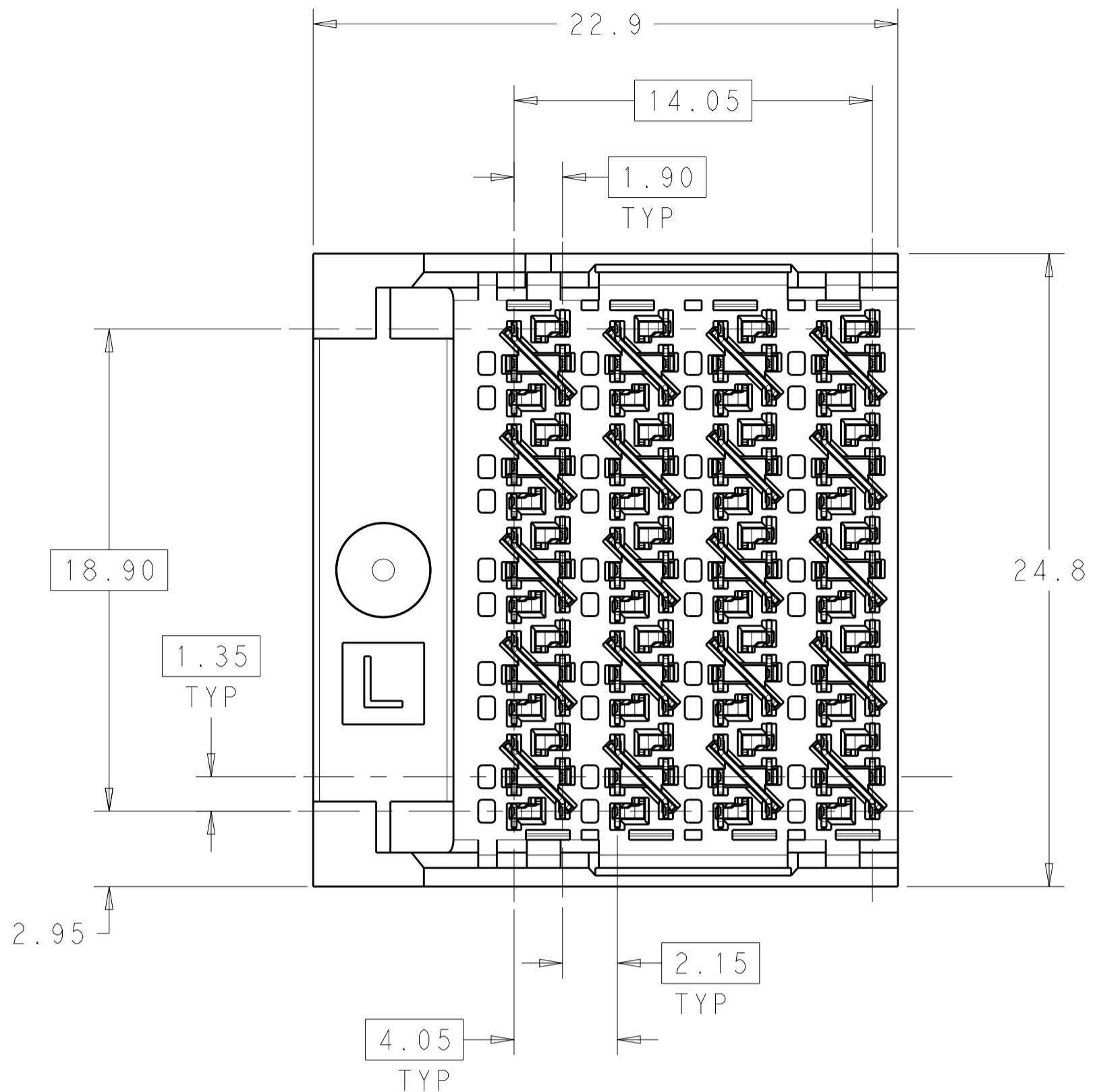
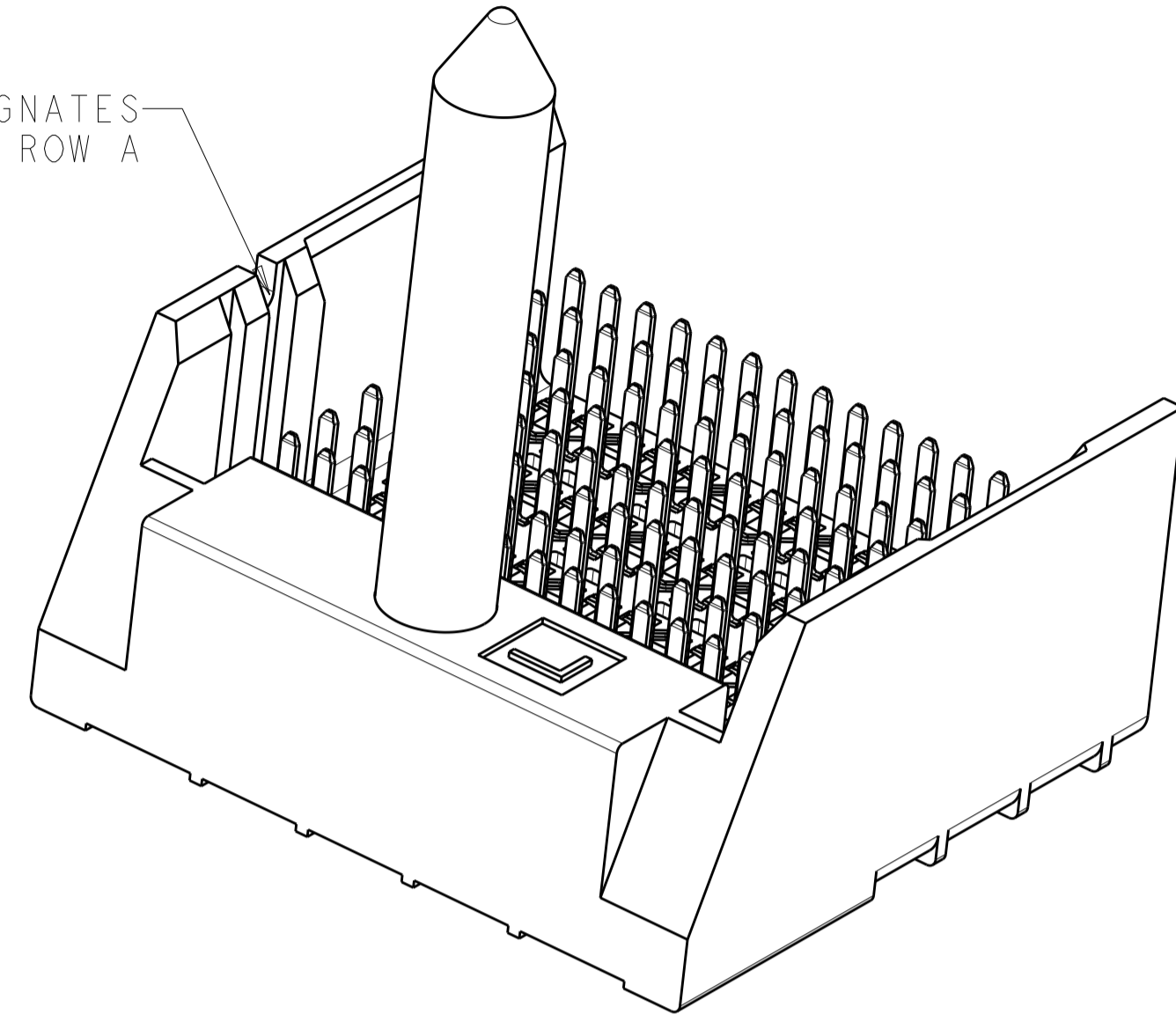


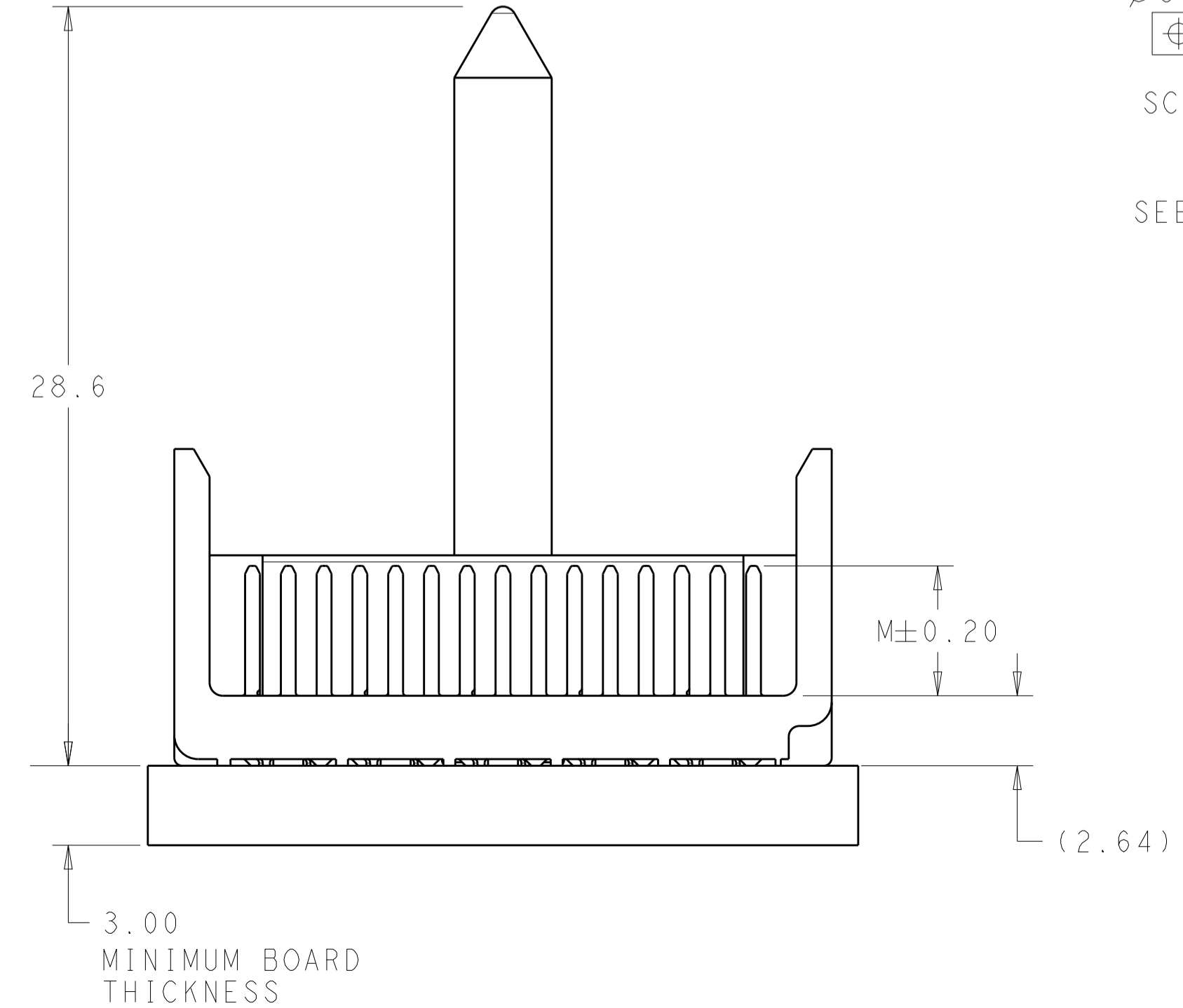
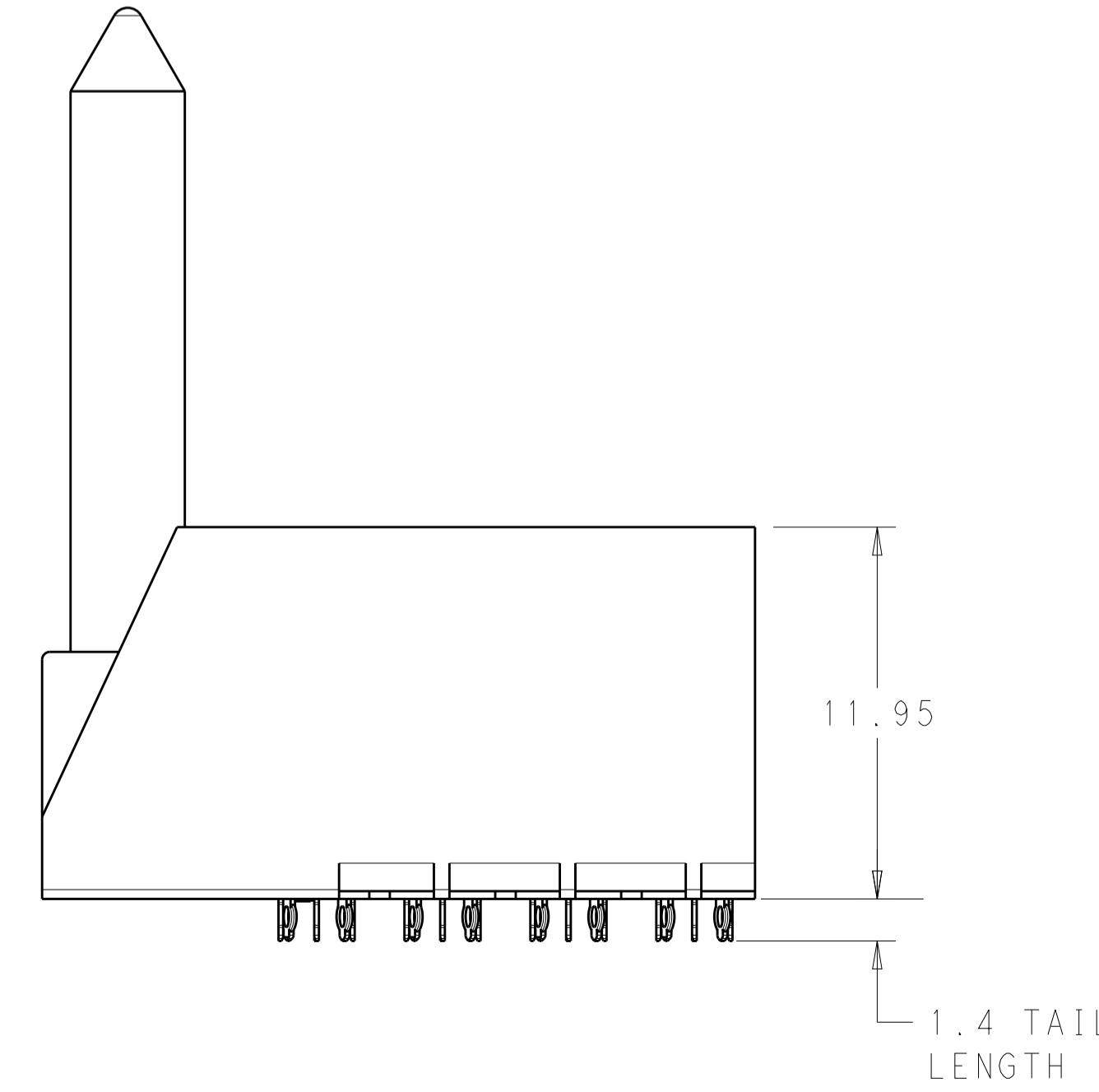
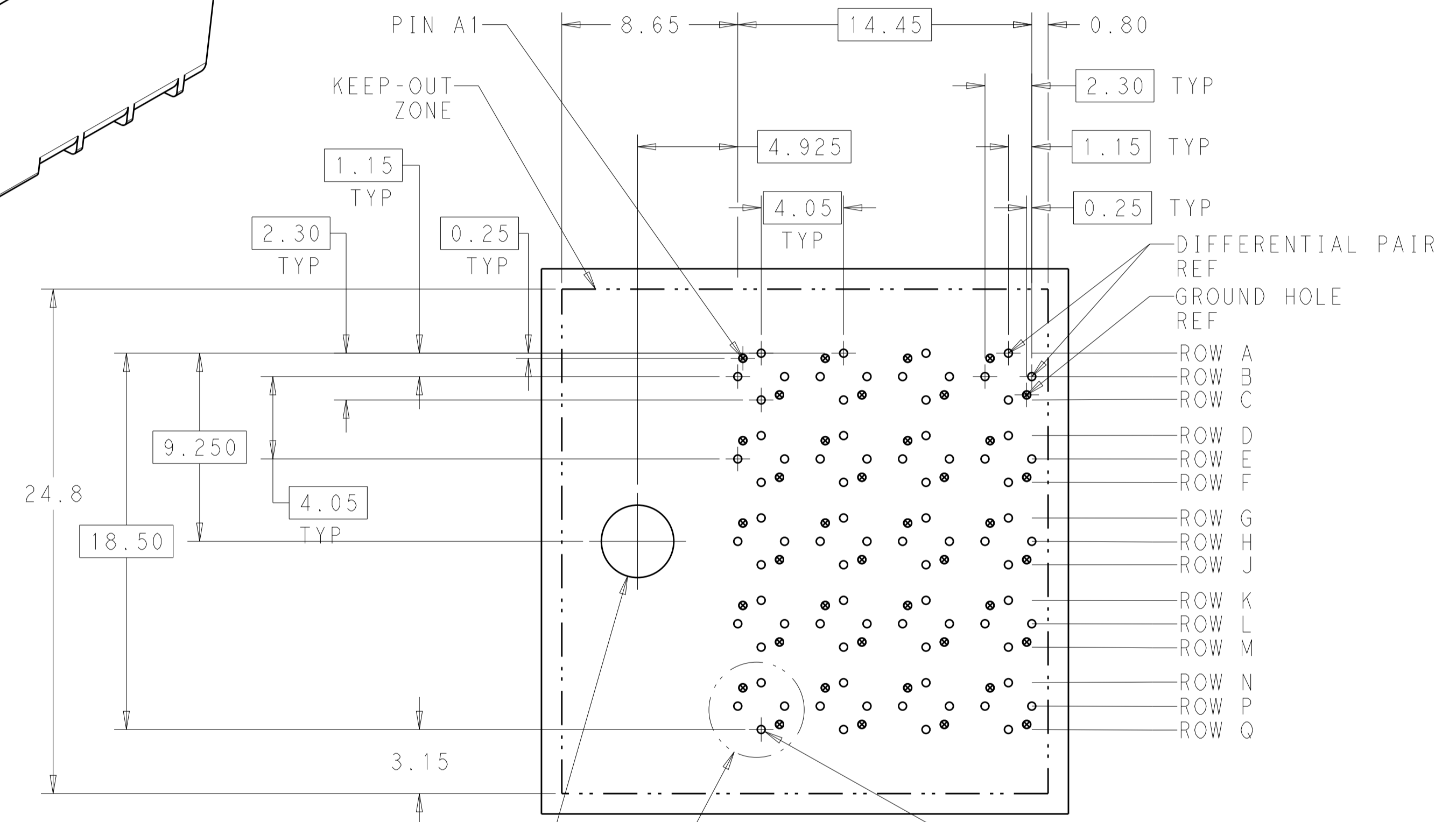
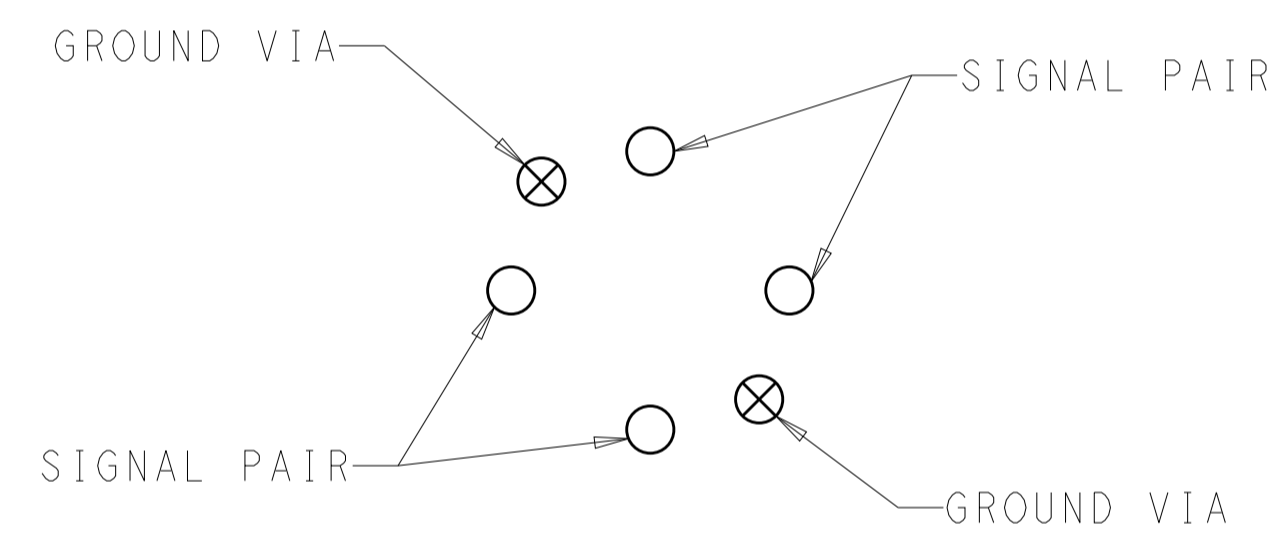
REVISIONS				
P.	LTM	DESCRIPTION	DATE	OWN APVD
B		REVISED PER ECO-14-013272	08SEP2014	AP DD



NOTCH DESIGNATES ROW A



- 1 MATERIAL:  
HOUSING: LCP, GLASS FILLED, UL94V-0.  
TERMINALS: HIGH PERFORMANCE COPPER ALLOY.
- 2 FINISH:  
30μ" MIN GOLD IN CONTACT AREA. SELECTIVE TIN ON PCB TAILS, NICKEL OVERALL.
- 3. SCREWS PACKAGED IN END OF PACKAGING TUBE.
- 4 FOR GROUNDED GUIDE PIN USE Ø3.56±0.08 PTH, Ø3.66 DRILL, AND Ø6.5 PAD.



Ø3.56±0.08 UNPLATED SCREW HOLE 4  
 120X Ø0.39±0.08 PLATED THRU HOLE  
 120X Ø0.48±0.013 DRILL HOLE  
 LEFT GUIDED BACKPLANE HOLE PATTERN (CONNECTOR SIDE)  
 SEE DETAIL X

REFER TO WWW.TE.COM FOR PRODUCT AVAILABILITY

FINISH	5.5	2143545-2
DIM M	4.9	2143545-1
PART NUMBER		

THIS DRAWING IS A CONTROLLED DOCUMENT.		OWN: KIRAN HOLAL 11DEC2012	TE Connectivity
DIMENSIONS: mm		CHK: D. DIXON 11DEC2012	
TOLERANCES UNLESS OTHERWISE SPECIFIED:		APVD: D. DIXON 11DEC2012	NAME: IMPACT, ORTHOGONAL, 5 PAIR 8 COLUMN LEFT GUIDE OPEN END WALL, HEADER ASSEMBLY, 0.39 PTH SIZE: CAGE CODE DRAWING NO: A100779C=2143545 RESTRICTED TO: Customer Drawing
0 PLC ±0.25 1 PLC ±0.13 2 PLC ±0.13 3 PLC ±0.13 4 PLC ±0.13 ANGLES ±0.13		WEIGHT: - SCALE: 5:1 SHEET 1 OF 1 REV B	