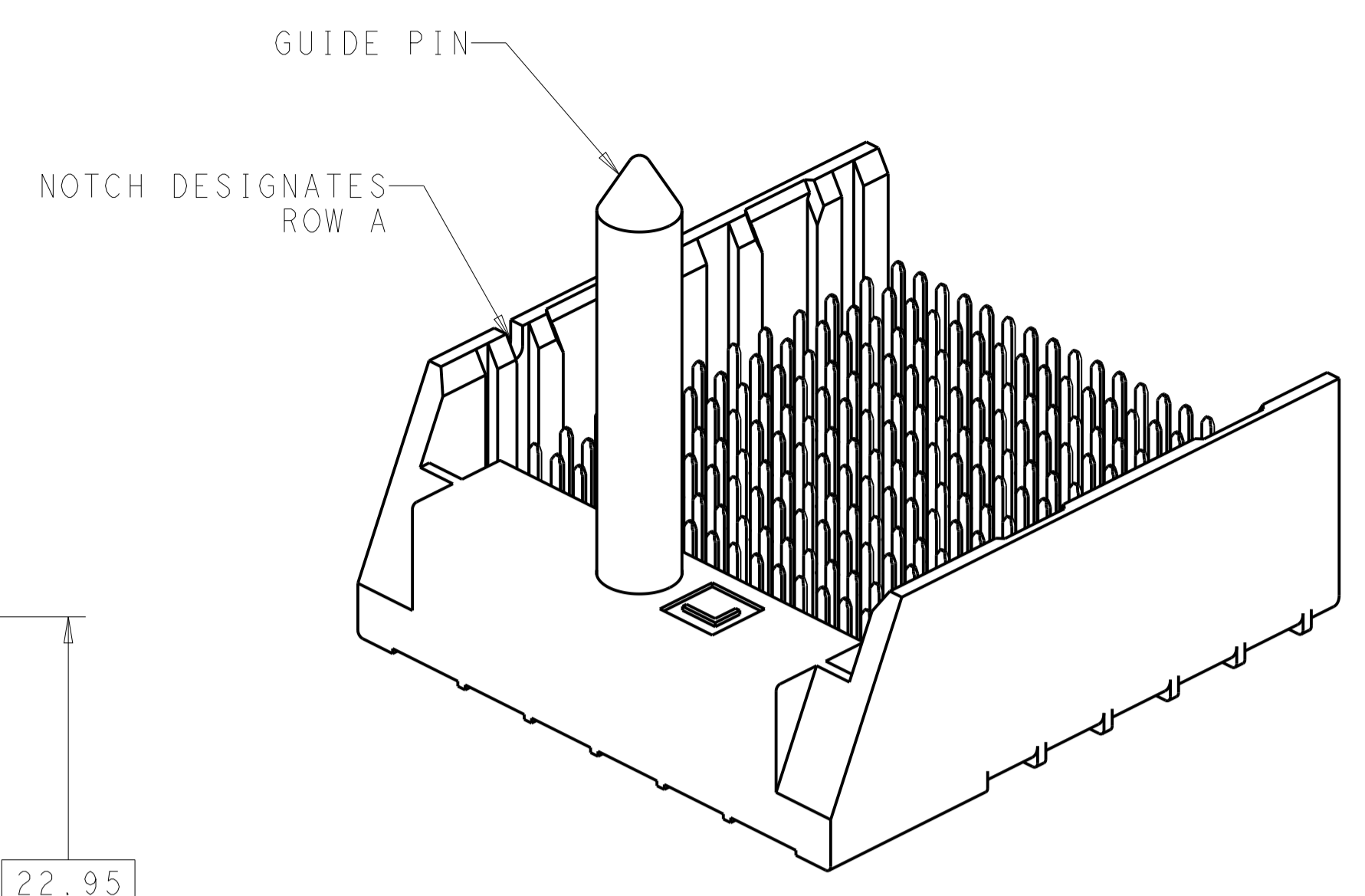
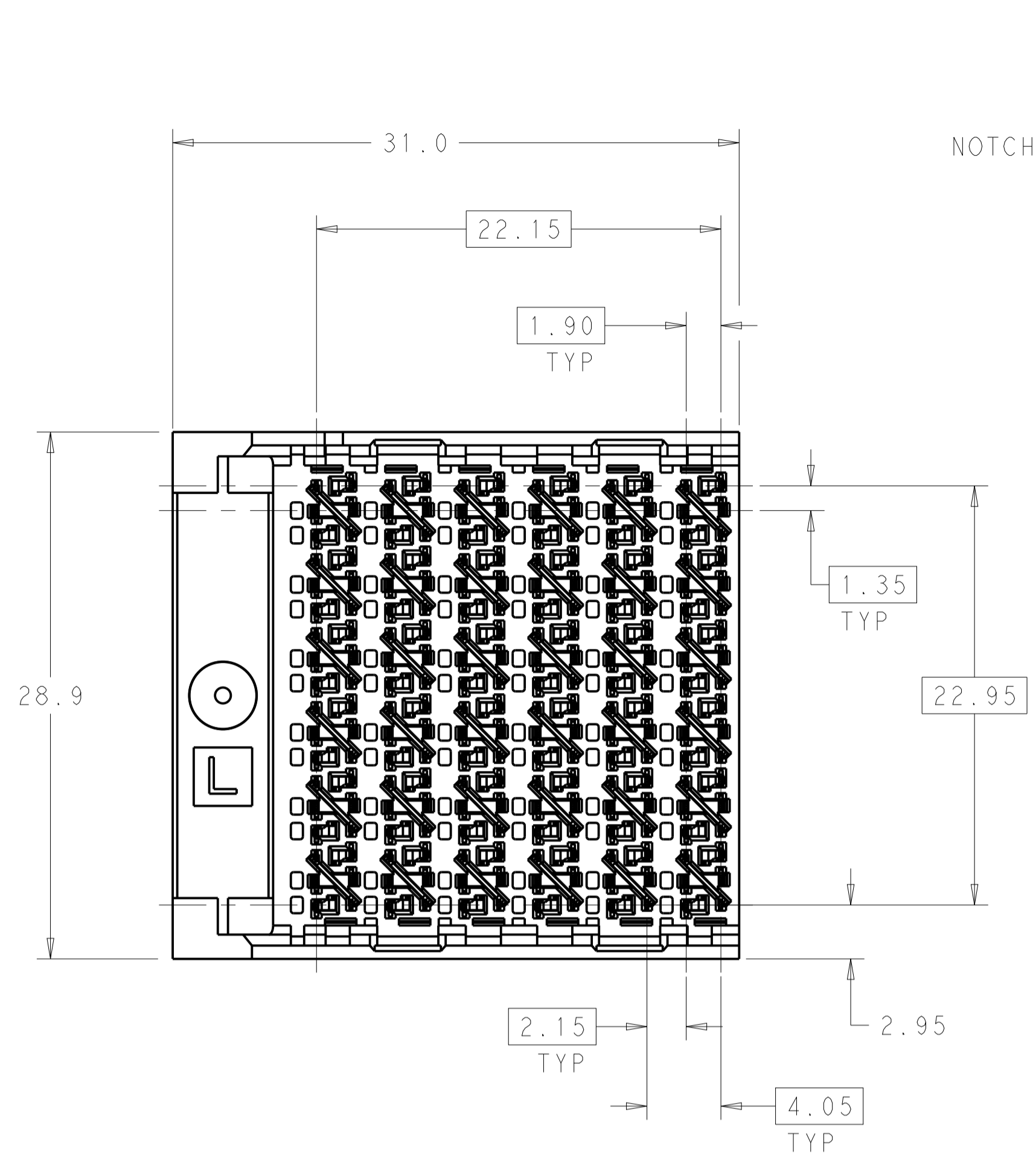
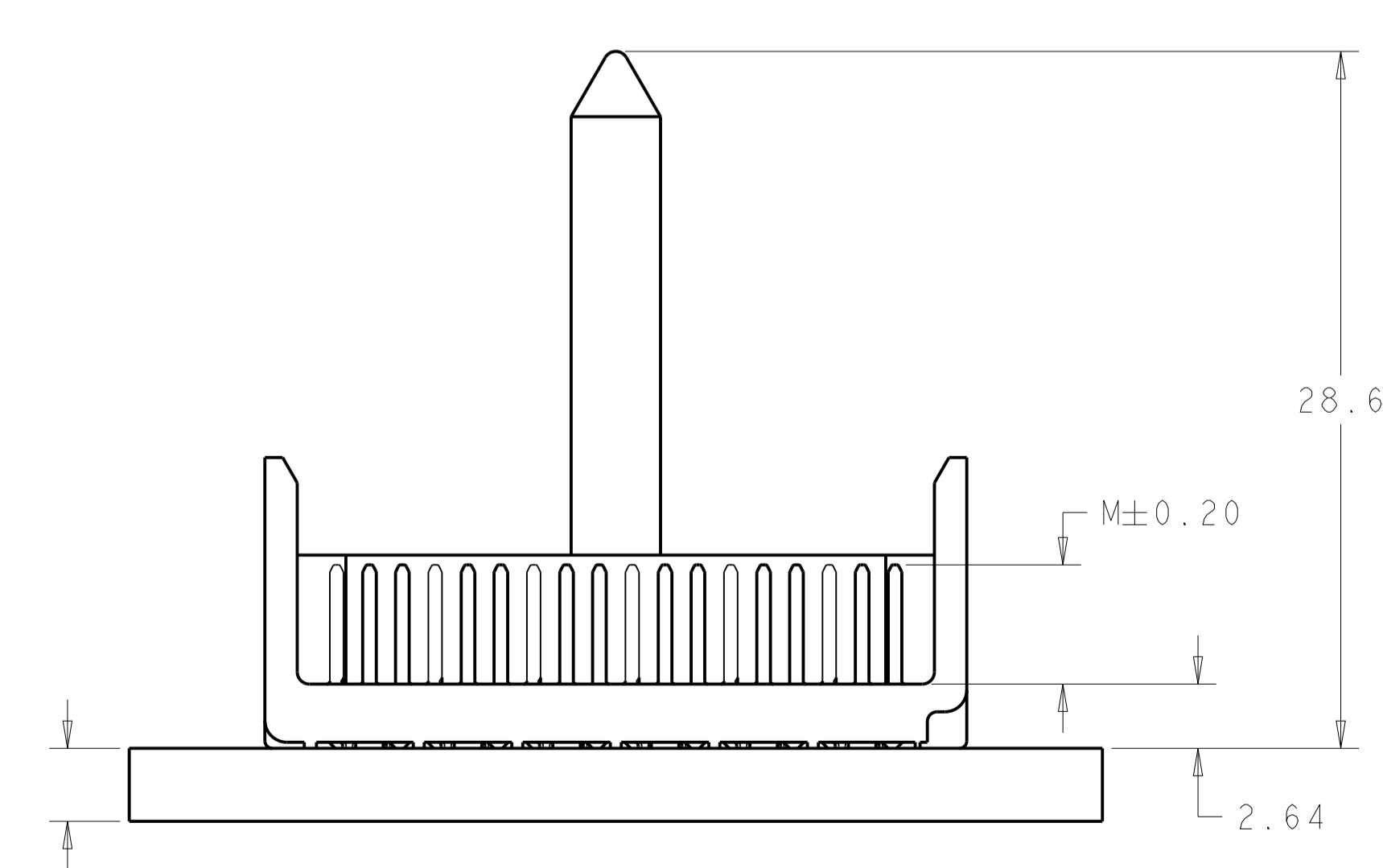
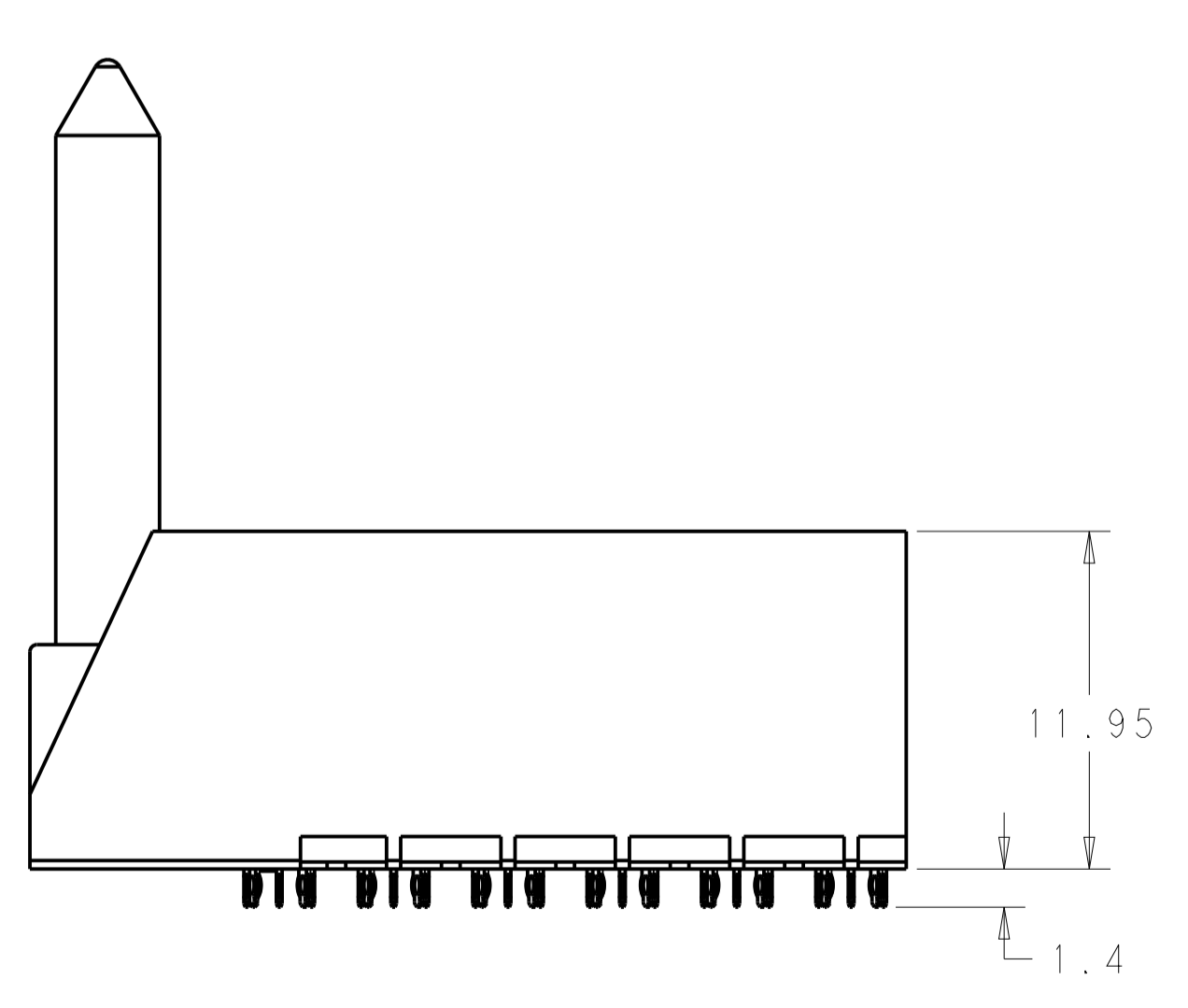
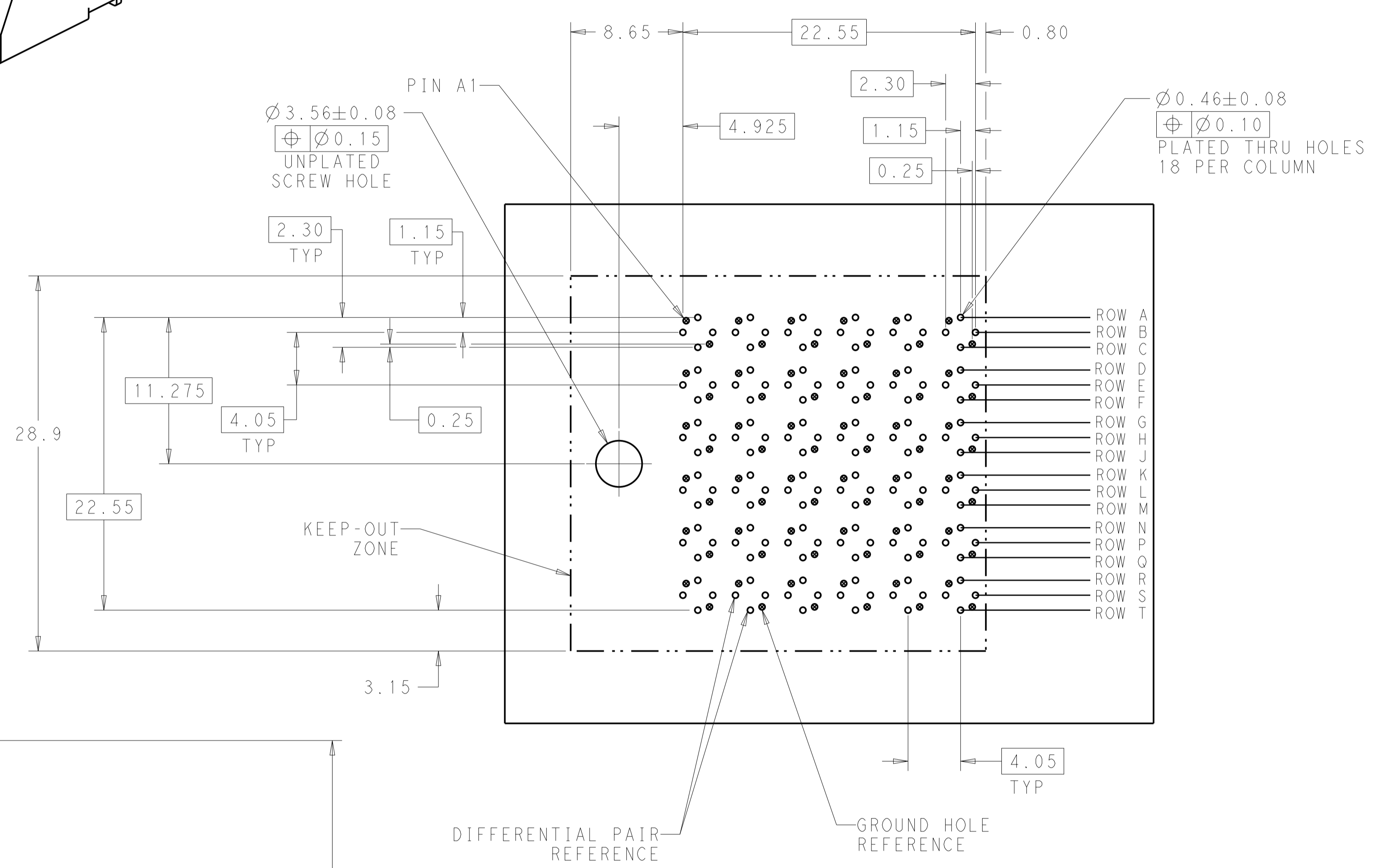


REVISIONS				
P.	LTN	DESCRIPTION	DATE	APVD
C		REVISED PER ECO-14-013273	04NOV2014	AP DD



- 1 MATERIAL:
HOUSING: LCP GLASS FILLED UL94V-0
TERMINALS: HIGH PERFORMANCE COPPER ALLOY
- 2 FINISH:
30μ" MIN GOLD IN CONTACT AREA
SELECTIVE TIN ON PCB TAILS.
NICKEL OVERALL.
- 3. SCREWS PACKAGED IN END OF PACKAGING TUBE



3.00 MIN BOARD THICKNESS

LEFT GUIDED BACKPLANE HOLE PATTERN (CONNECTOR SIDE) SCALE 4:1

2	5.5	2143273-2
2	4.9	2143273-1
FINISH	DIM M	PART NUMBER

THIS DRAWING IS A CONTROLLED DOCUMENT.		OWN J. K. SHOBER 28DEC2010	STE TE Connectivity	
DIMENSIONS: mm		CHK J. EARY 28DEC2010	NAME IMPACT, 6 PAIR, 12 COLUMN, LEFT GUIDED OPEN END WALL ASSEMBLY, ORTHOGONAL, 0.46 PTH	
TOLERANCES UNLESS OTHERWISE SPECIFIED:		APVD J. EARY 28DEC2010	PRODUCT SPEC	
0 PLC ±0.25		APPLICATION SPEC		
1 PLC ±0.13		SIZE CAGE CODE DRAWING NO RESTRICTED TO		
2 PLC ±0.10		A100779C=2143273		
3 PLC ±0.08		SCALE 4:1 SHEET 1 OF 1 REV C		
4 PLC ±0.05		CUSTOMER DRAWING		
ANGLES ±0				
FINISH SEE TABLE				