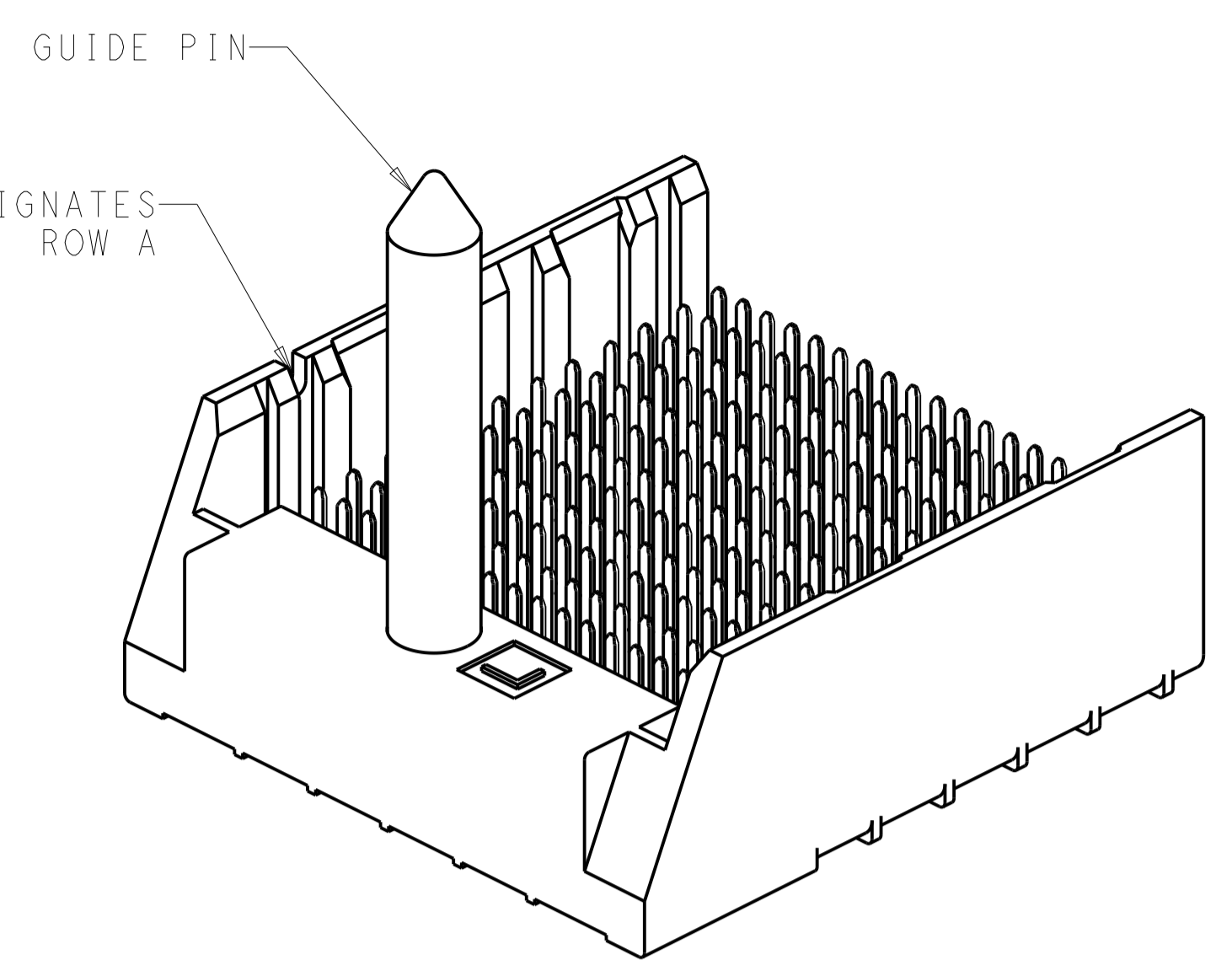
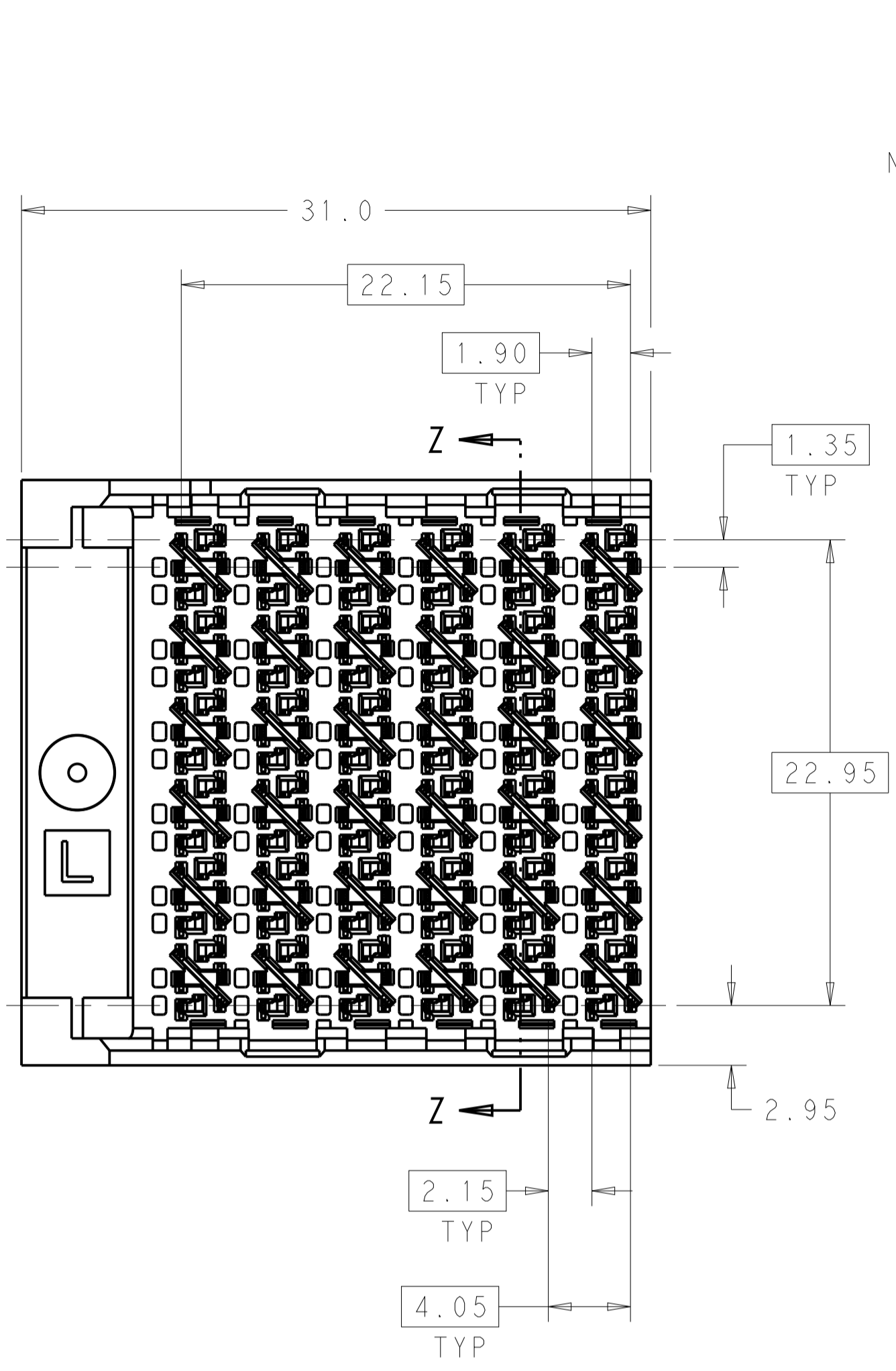
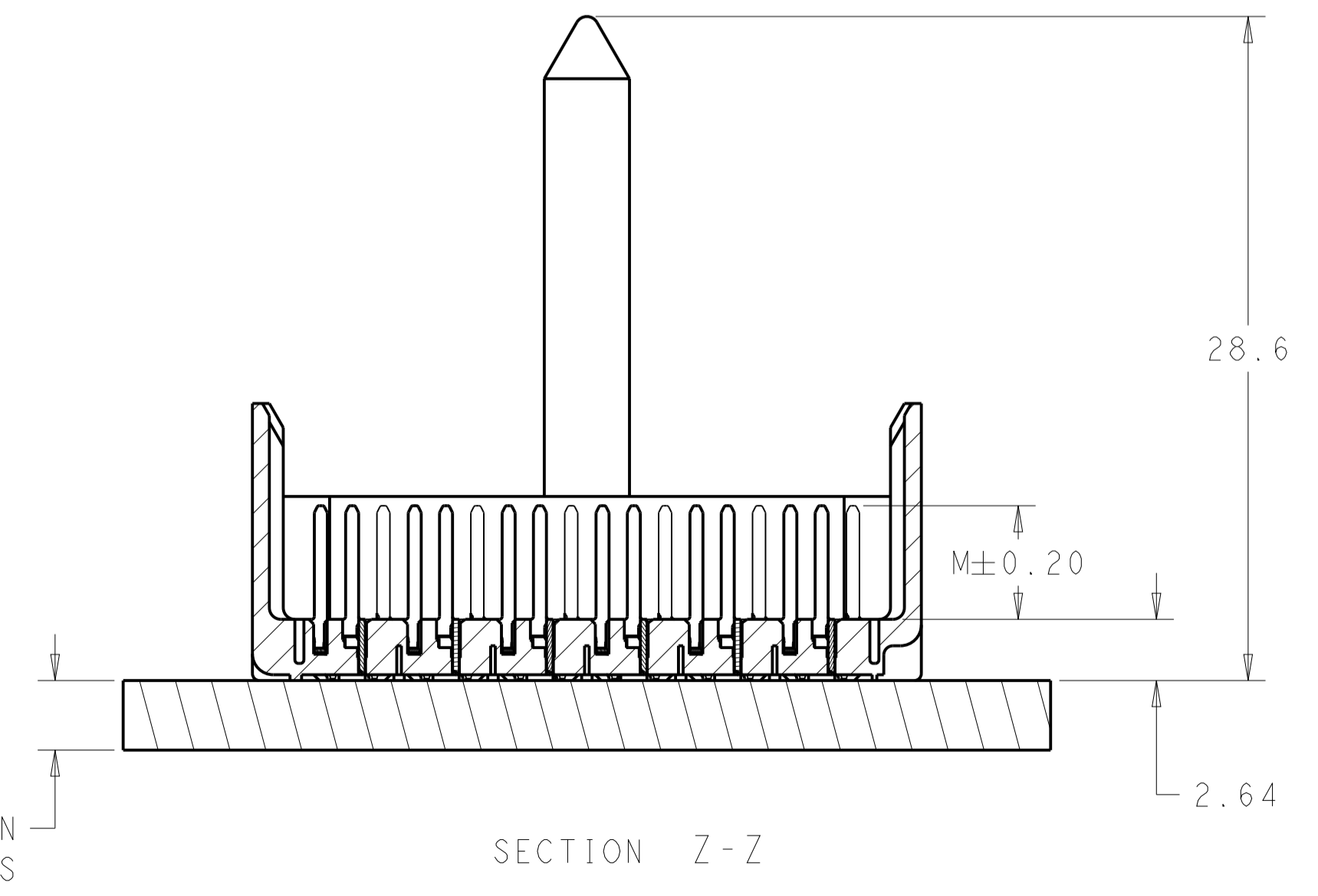
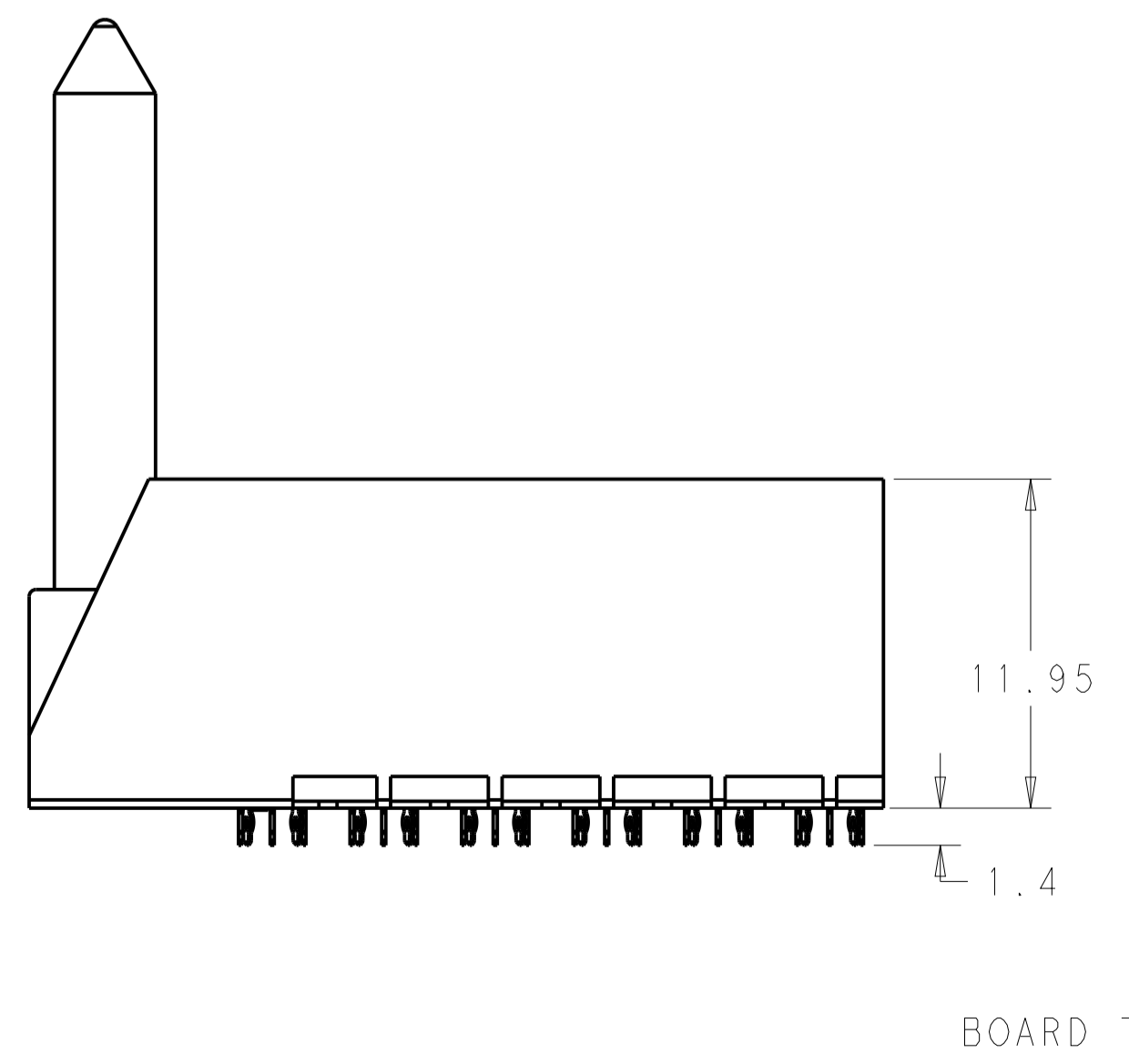
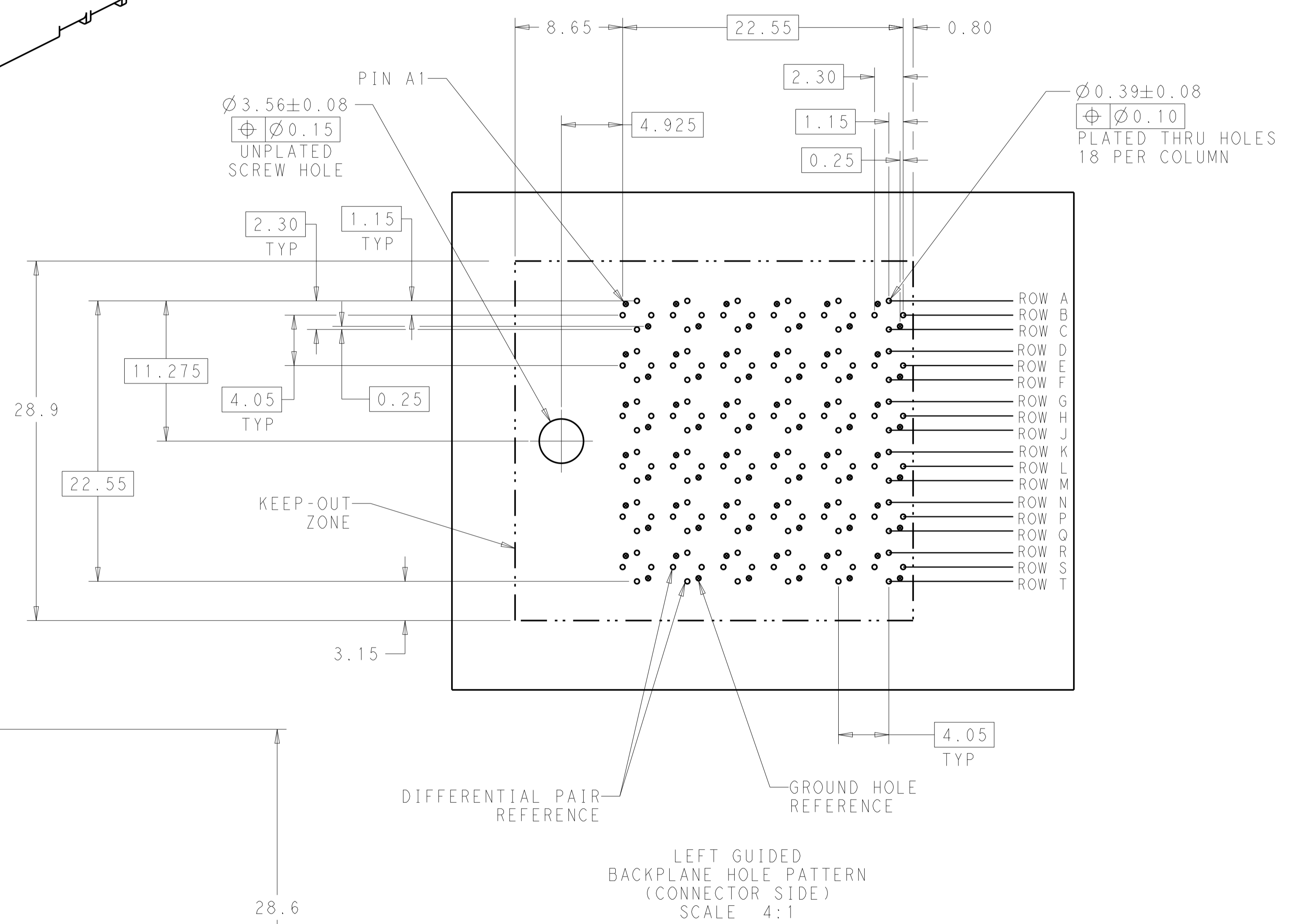


REVISIONS				
REV	LTN	DESCRIPTION	DATE	APVD
C		REVISED PER ECO-14-013273	04NOV2014	AP DD



- 1 MATERIAL:
HOUSING: LCP GLASS FILLED UL94V-0
TERMINALS: HIGH PERFORMANCE COPPER ALLOY
- 2 FINISH:
30μ" MIN GOLD IN CONTACT AREA
SELECTIVE TIN ON PCB TAILS.
NICKEL OVERALL.
- 3. SCREWS PACKAGED IN END OF PACKAGING TUBE



3.00 MIN BOARD THICKNESS

2	5.5	2143265-2
2	4.9	2143265-1
FINISH	DIM M	PART NUMBER

THIS DRAWING IS A CONTROLLED DOCUMENT. DIMENSIONS: mm. TOLERANCES UNLESS OTHERWISE SPECIFIED: 0 PLC ±, 1 PLC ±0.25, 2 PLC ±0.13, 3 PLC ±, 4 PLC ±, ANGLES ±.

OWN: J. K. SHOBER 29DEC2010
CHK: J. EARY 29DEC2010
APVD: J. EARY 29DEC2010

NAME: IMPACT, 6 PAIR, 12 COLUMN, LEFT GUIDED OPEN END WALL ASSEMBLY, ORTHOGONAL, 0.39 PTH

SIZE: A1 00779 C=2143265
SCALE: 4:1 SHEET 1 OF 1 REV C

CUSTOMER DRAWING