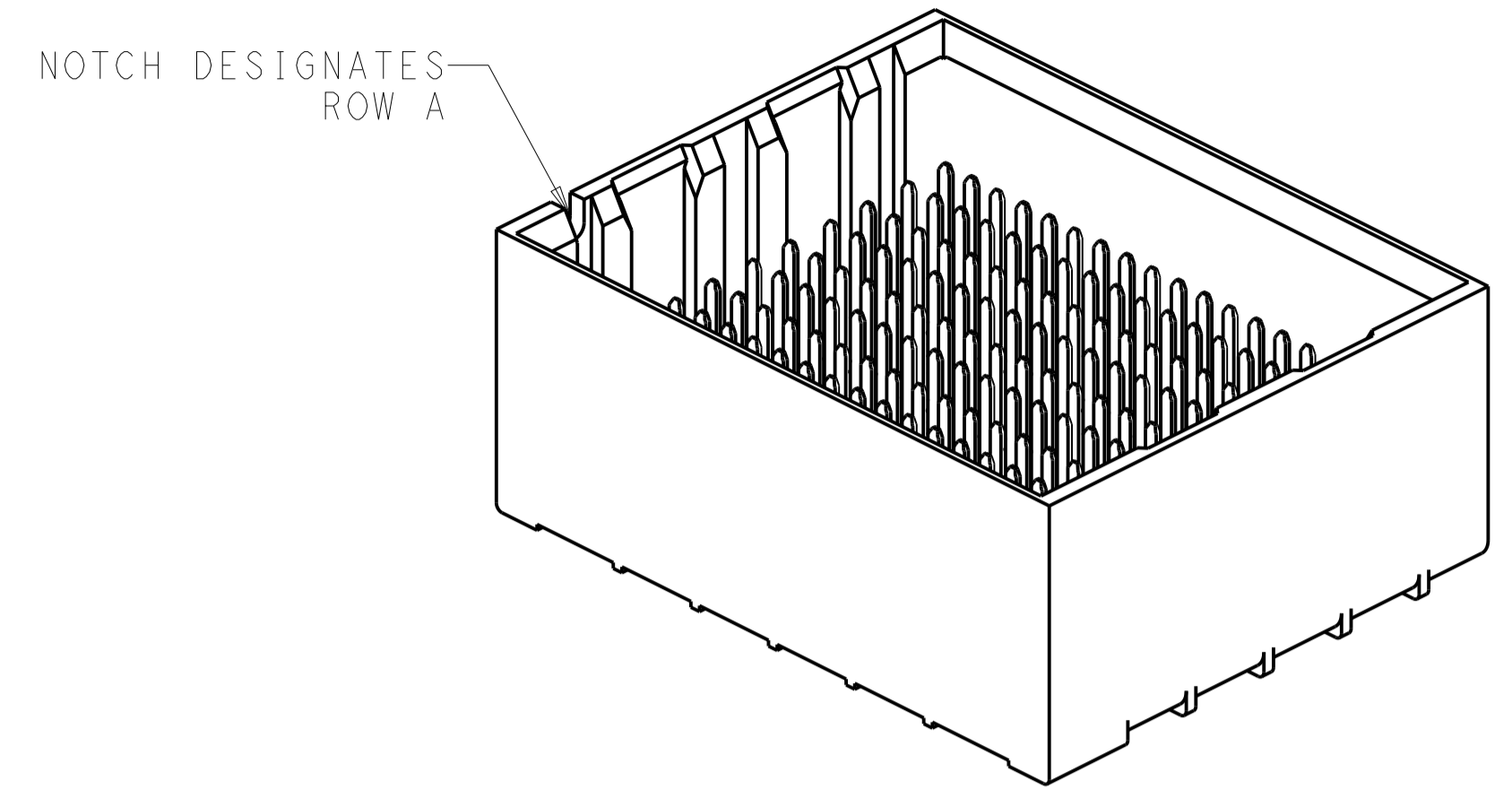
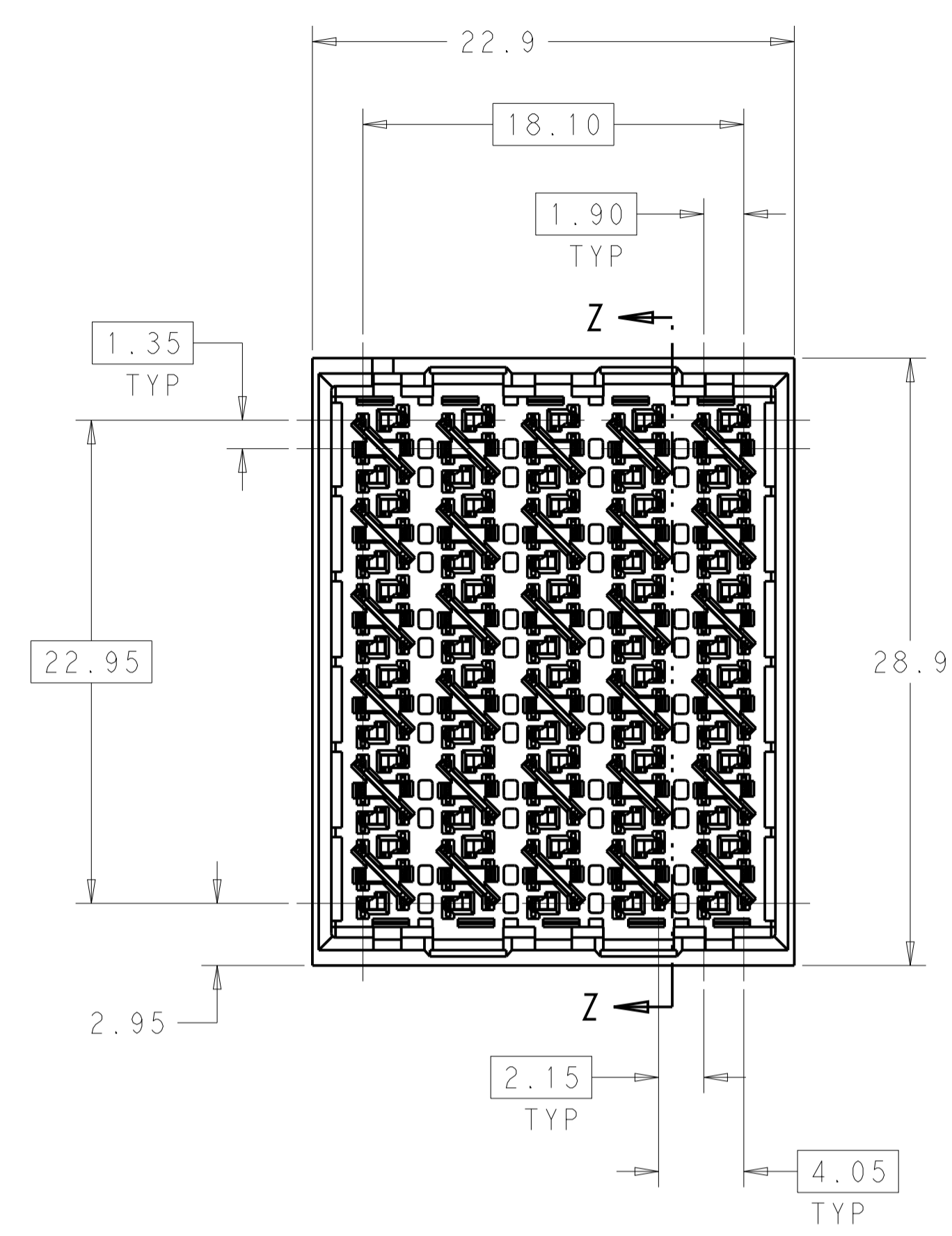
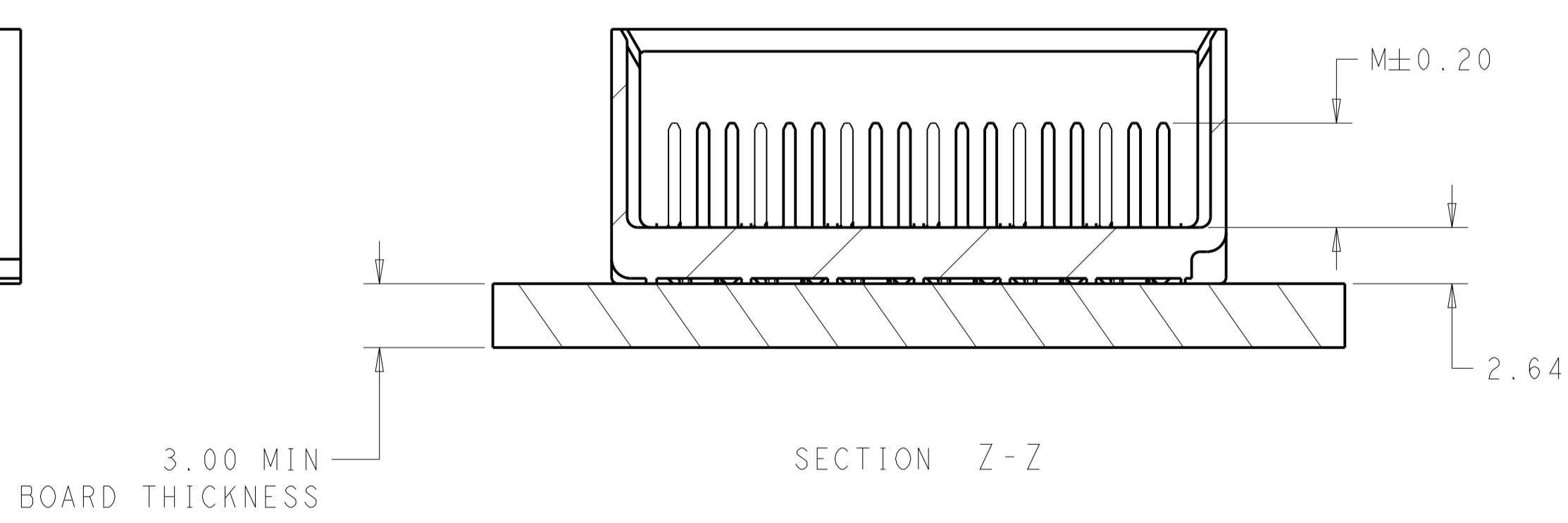
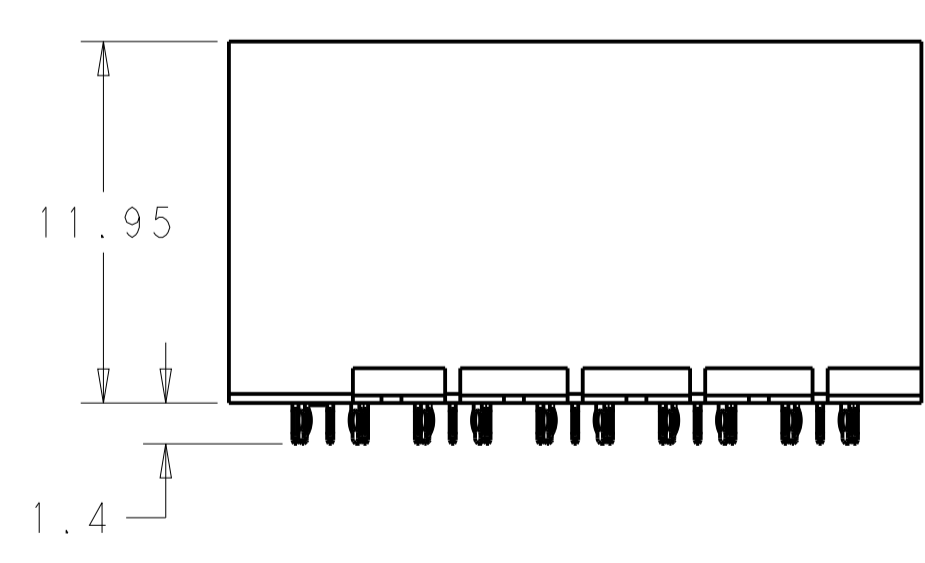
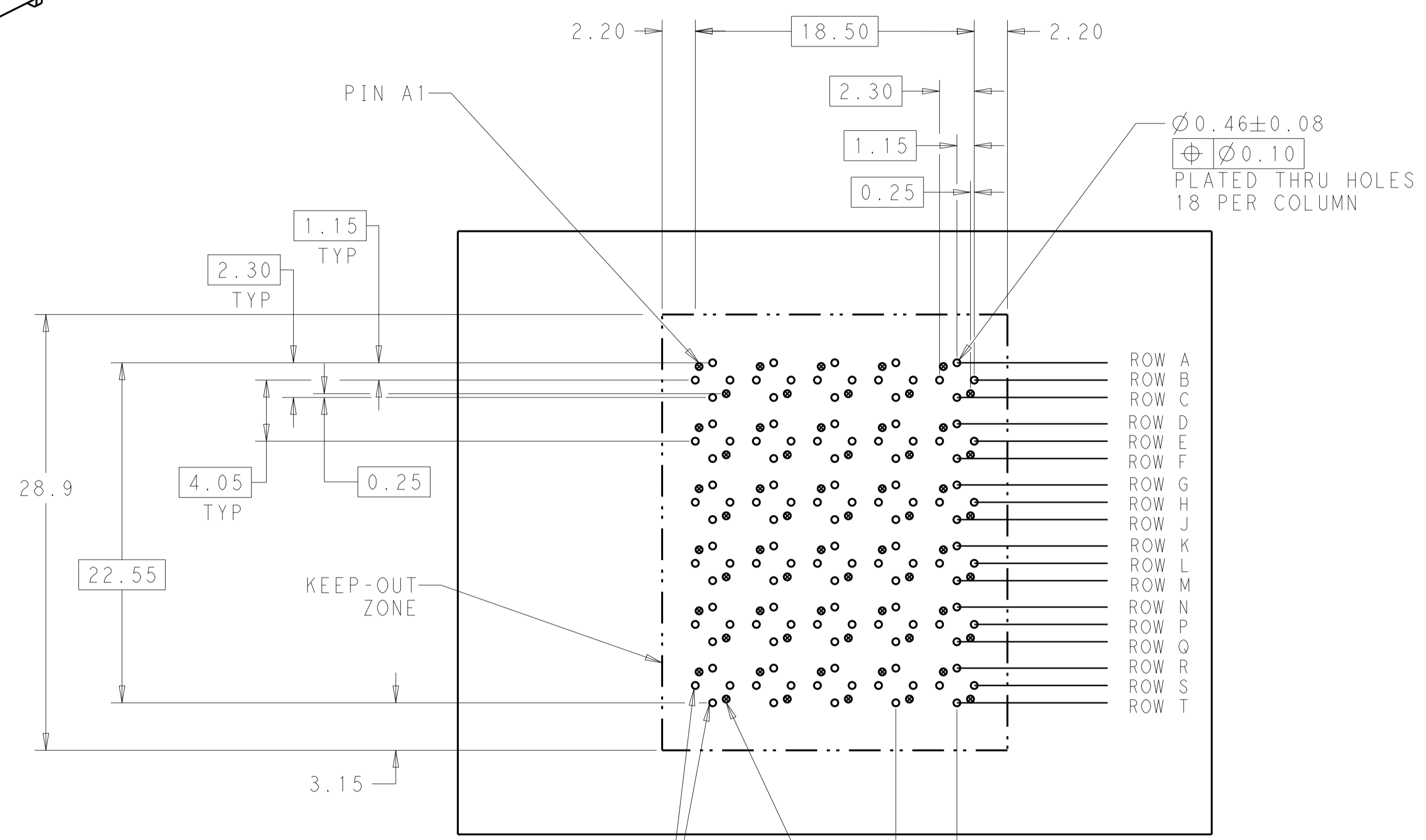


REVISIONS				
P.	LTN.	DESCRIPTION	DATE	APVD.
C		REVISED PER ECO-14-013273	31OCT2014	AP DD



⚠ MATERIAL:
HOUSING: LCP GLASS FILLED UL94V-0
TERMINALS: HIGH PERFORMANCE COPPER ALLOY

⚠ FINISH:
30μ" MIN GOLD IN CONTACT AREA
SELECTIVE TIN ON PCB TAILS.
NICKEL OVERALL.



DIFFERENTIAL PAIR REFERENCE

GROUND HOLE REFERENCE

LEFT GUIDED BACKPLANE HOLE PATTERN (CONNECTOR SIDE) SCALE 4:1

⚠	5.5	2143263-2
⚠	4.9	2143263-1
FINISH	DIM M	PART NUMBER

THIS DRAWING IS A CONTROLLED DOCUMENT.		OWN J. K. SHOBER 03DEC2011	 TE Connectivity
DIMENSIONS: mm		CHK J. EARY 03DEC2011	
TOLERANCES UNLESS OTHERWISE SPECIFIED:		APVD J. EARY 03DEC2011	
0 PLC ± 1 PLC ±0.25 2 PLC ±0.13 3 PLC ± 4 PLC ± ANGLES ±0		NAME IMPACT, 6 PAIR, 10 COLUMN, UNGUIDED DUAL END WALL ASSEMBLY, ORTHOGONAL, 0.46 PTH	
MATERIAL	SEE TABLE	WEIGHT	SIZE CAGE CODE DRAWING NO. RESTRICTED TO
CUSTOMER DRAWING		A100779C=2143263	SCALE 4:1 SHEET 1 OF 1 REV C