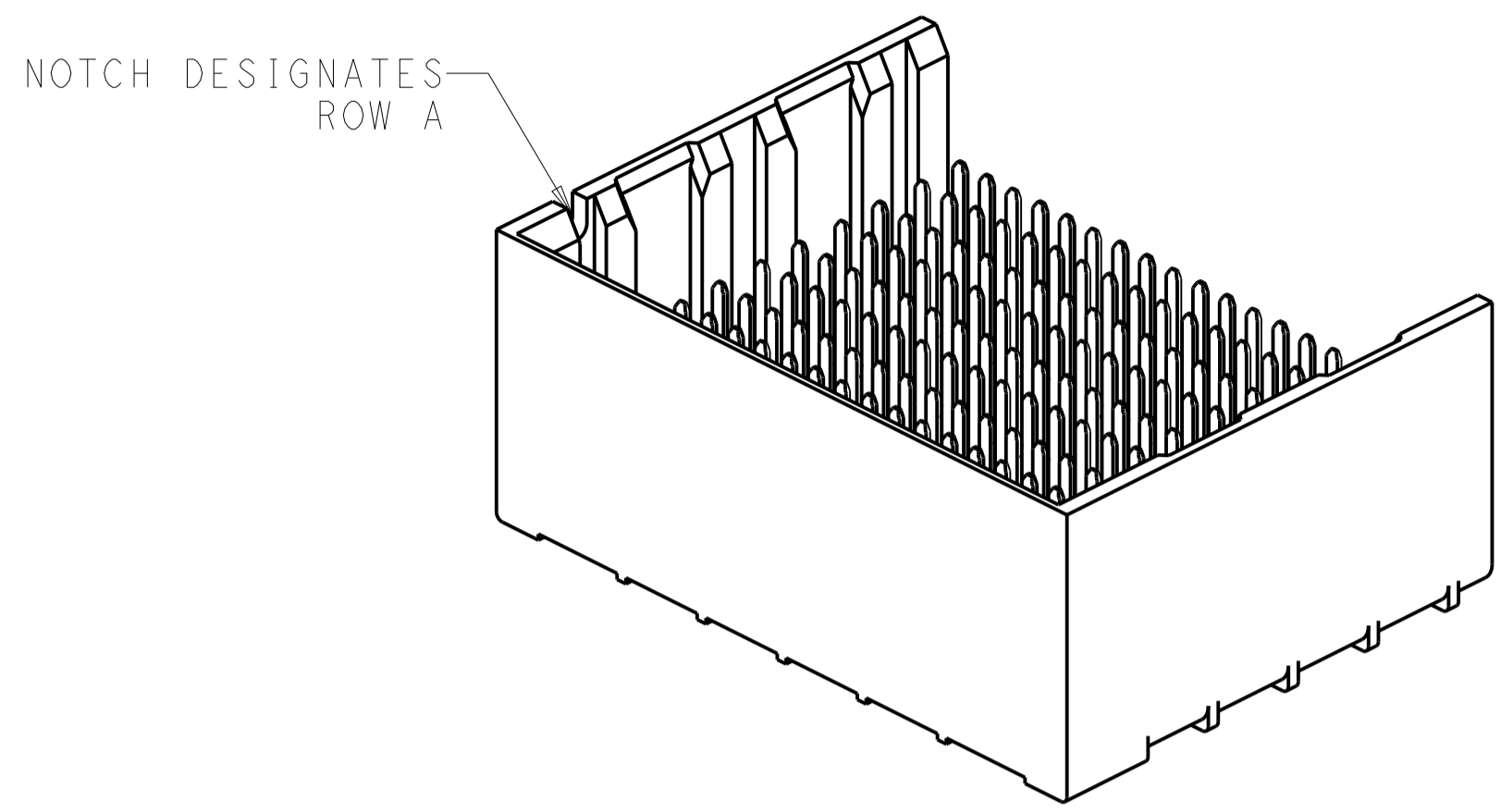
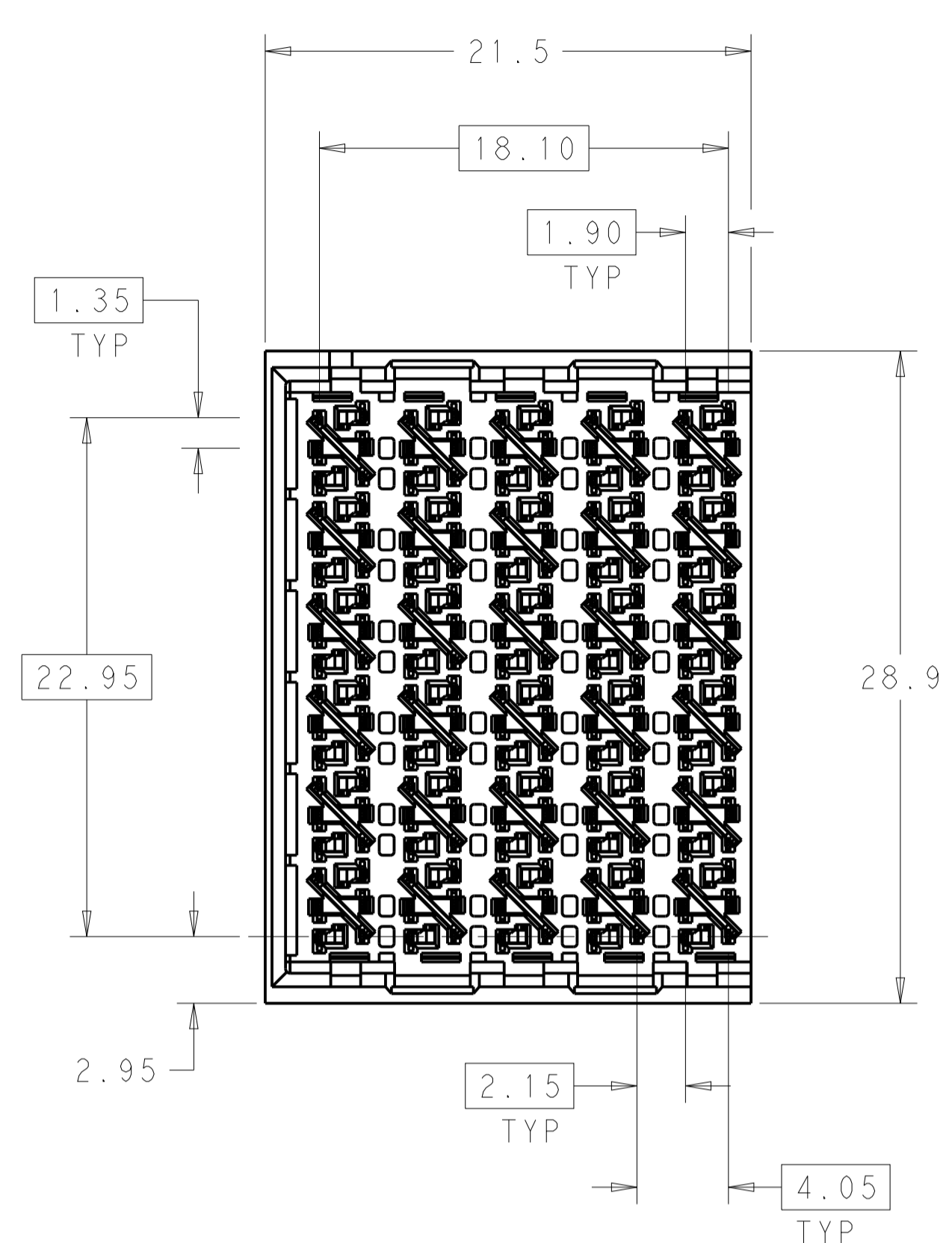
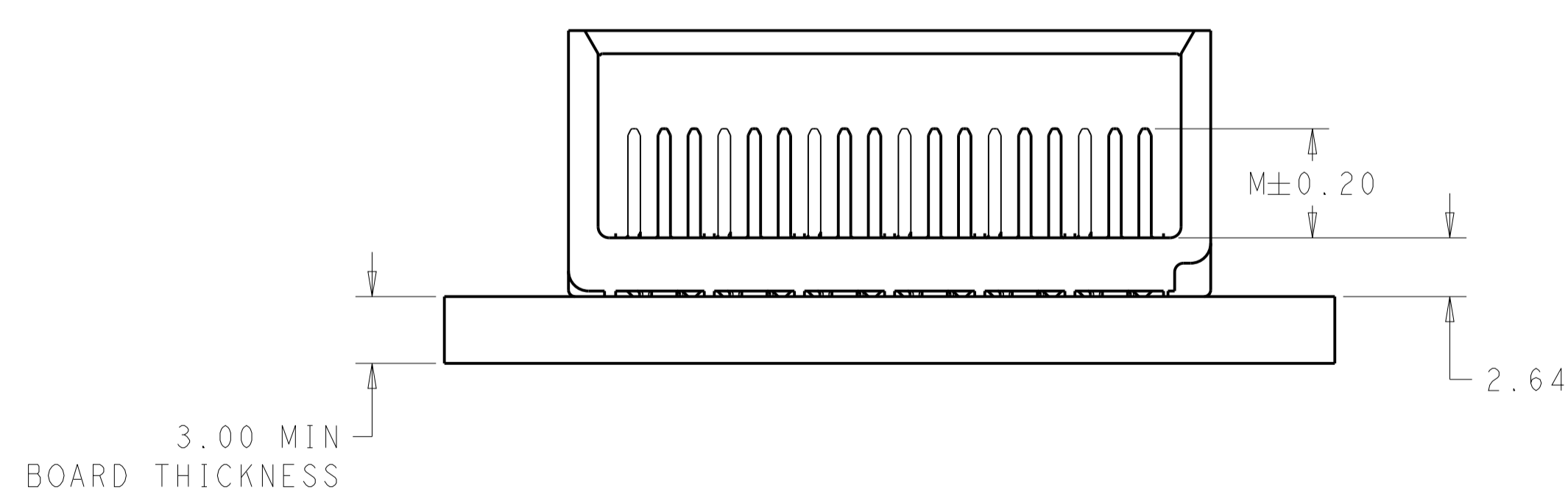
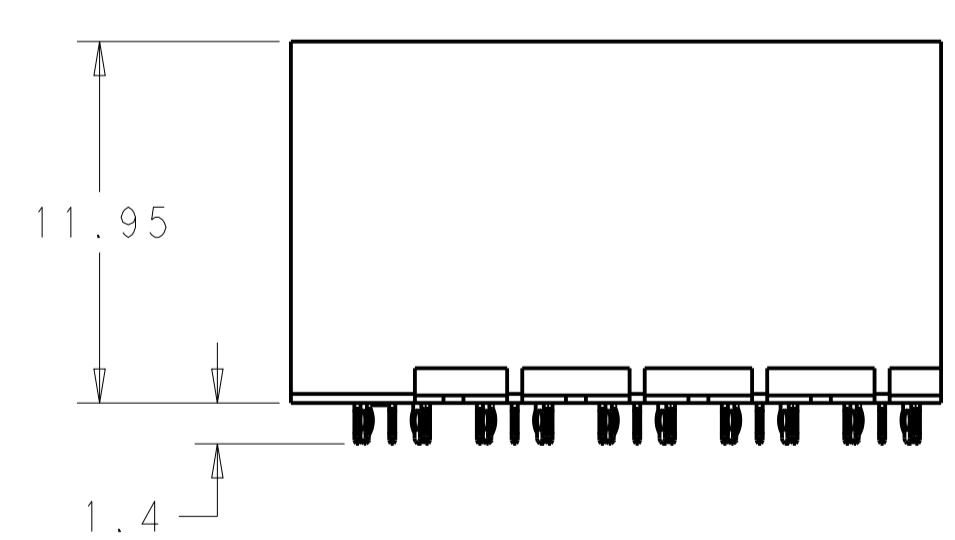
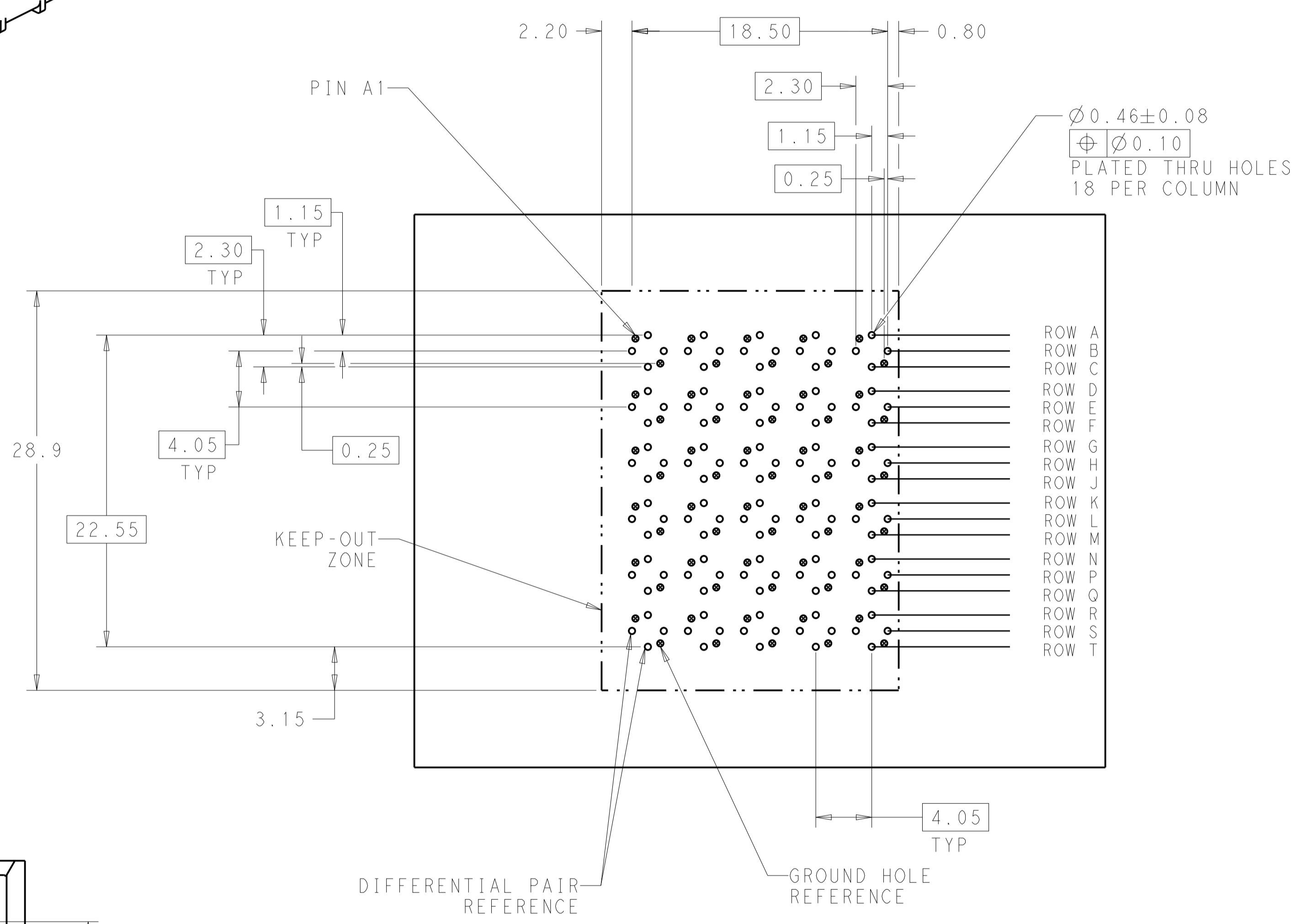


REVISIONS				
P.	LTN	DESCRIPTION	DATE	APVD
C		REVISED PER ECO-14-013273	31OCT2014	AP DD



- 1 MATERIAL:
HOUSING: LCP GLASS FILLED UL94V-0
TERMINALS: HIGH PERFORMANCE COPPER ALLOY
- 2 FINISH:
30μ" MIN GOLD IN CONTACT AREA
SELECTIVE TIN ON PCB TAILS.
NICKEL OVERALL.



LEFT GUIDED BACKPLANE HOLE PATTERN (CONNECTOR SIDE) SCALE 4:1

2	5.5	2143262-2
2	4.9	2143262-1
FINISH	DIM M	PART NUMBER

THIS DRAWING IS A CONTROLLED DOCUMENT.		DWN J. K. SHOBER 03JAN2011	TE Connectivity NAME: IMPACT, 6 PAIR, 10 COLUMN, UNGUIDED LEFT END WALL ASSEMBLY, ORTHOGONAL, 0.46 PTH SIZE: CAGE CODE DRAWING NO. RESTRICTED TO WEIGHT: A100779C=2143262 CUSTOMER DRAWING
DIMENSIONS: mm		CHK J. EARY 03JAN2011	
TOLERANCES UNLESS OTHERWISE SPECIFIED:		APVD J. EARY 03JAN2011	
0 PLC ± 1 PLC ±0.25 2 PLC ±0.13 3 PLC ± 4 PLC ± ANGLES ±0		PRODUCT SPEC APPLICATION SPEC	
MATERIAL: SEE TABLE		SCALE 4:1	SHEET 1 OF 1 REV C