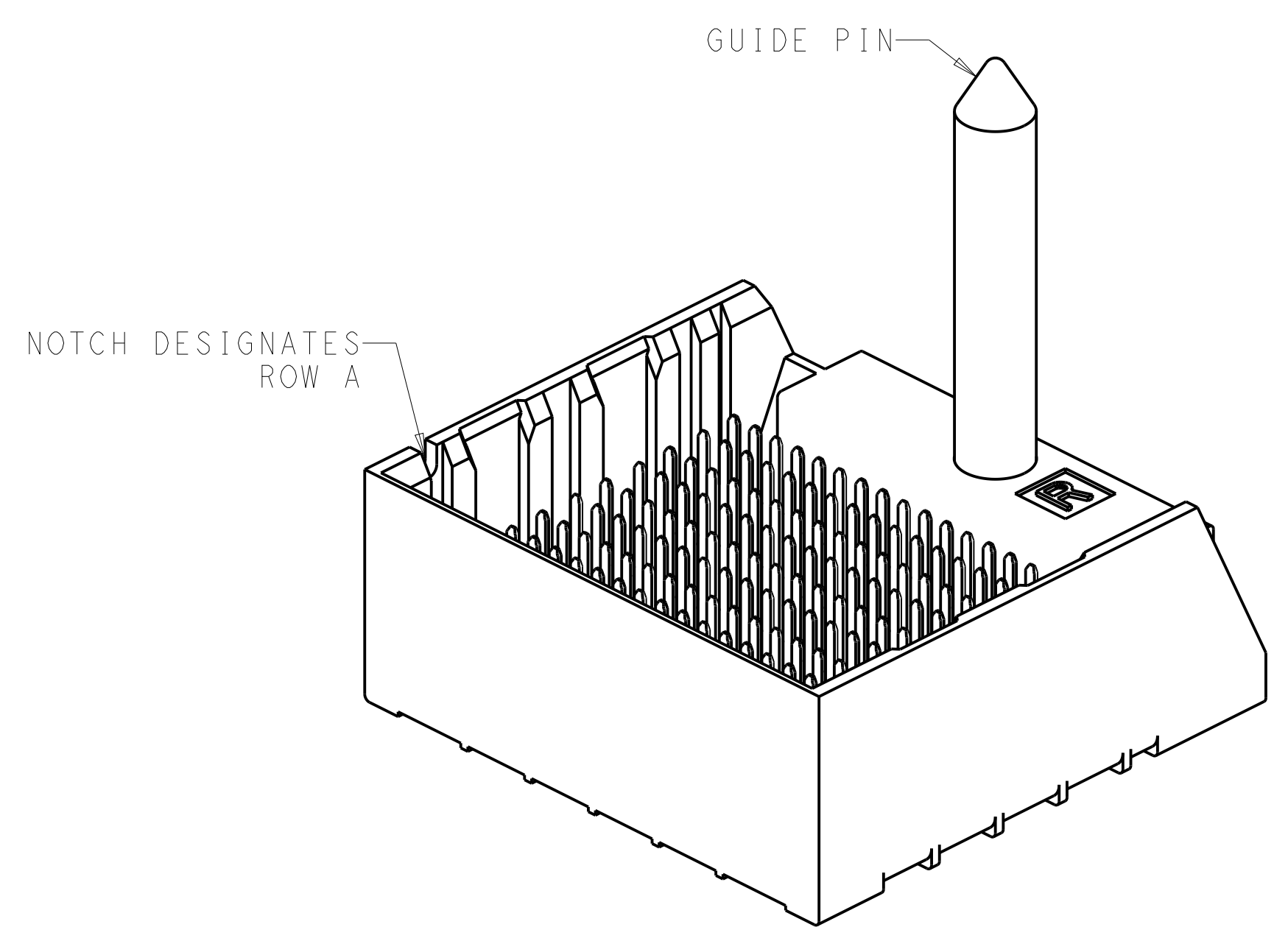
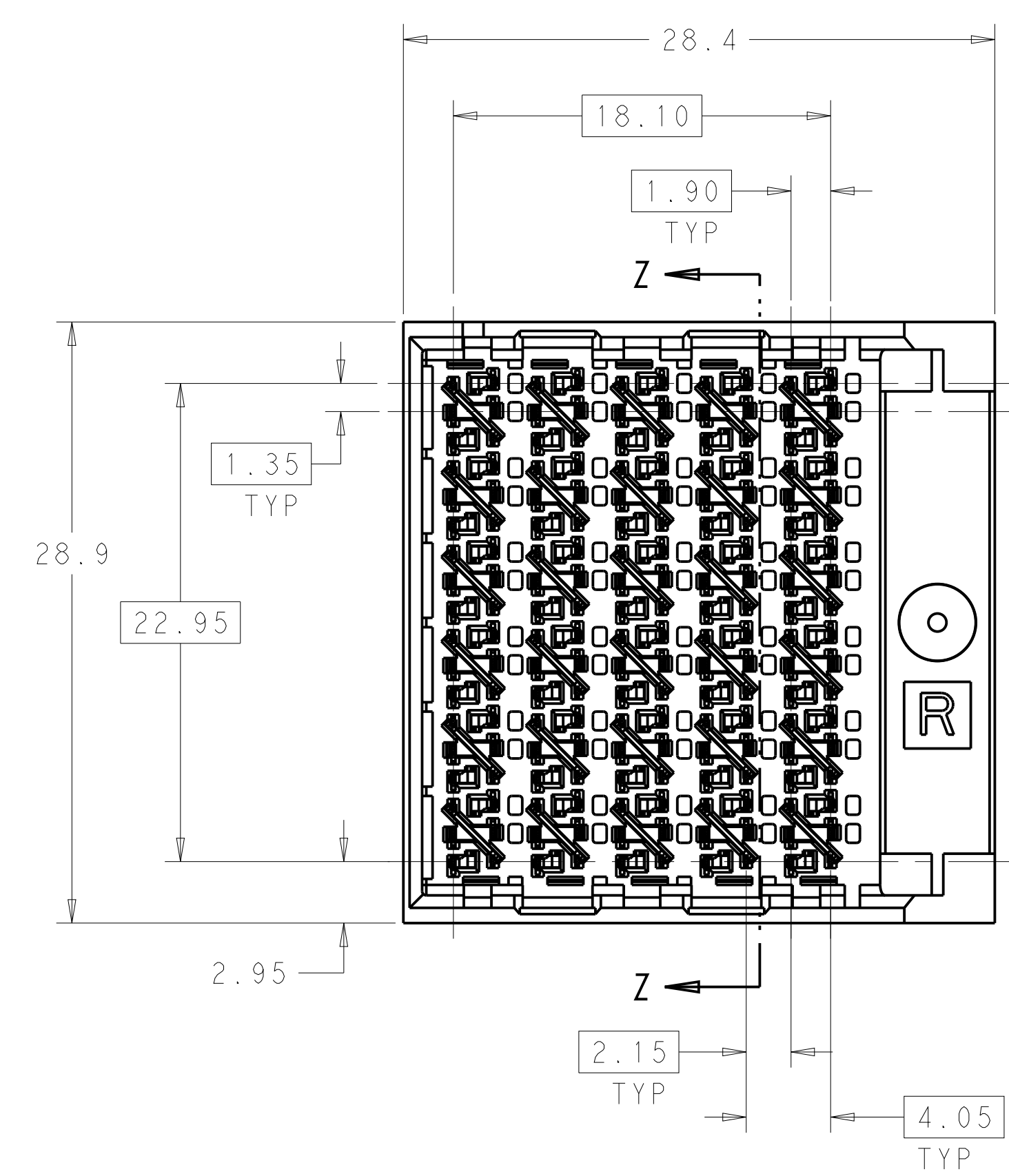
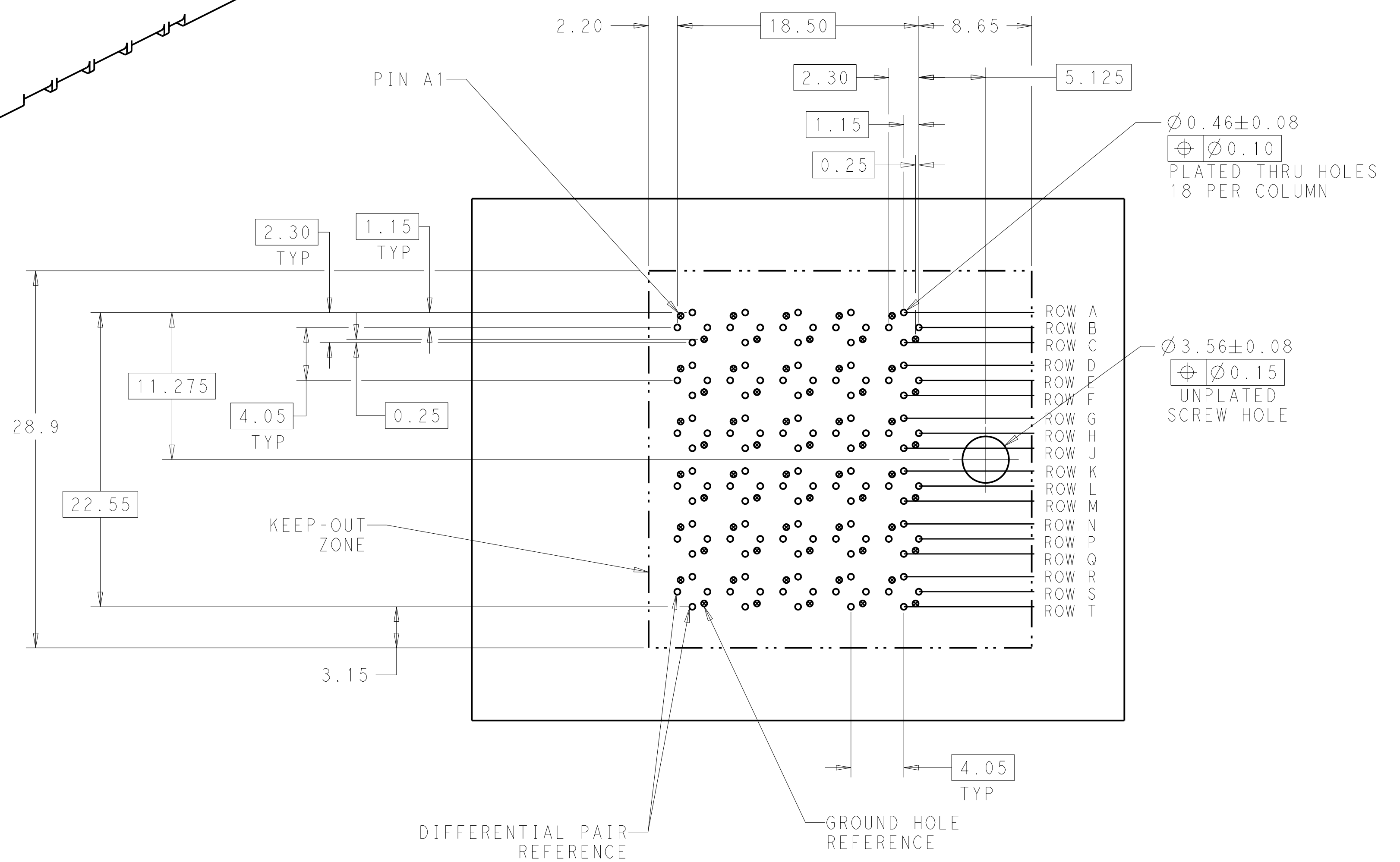


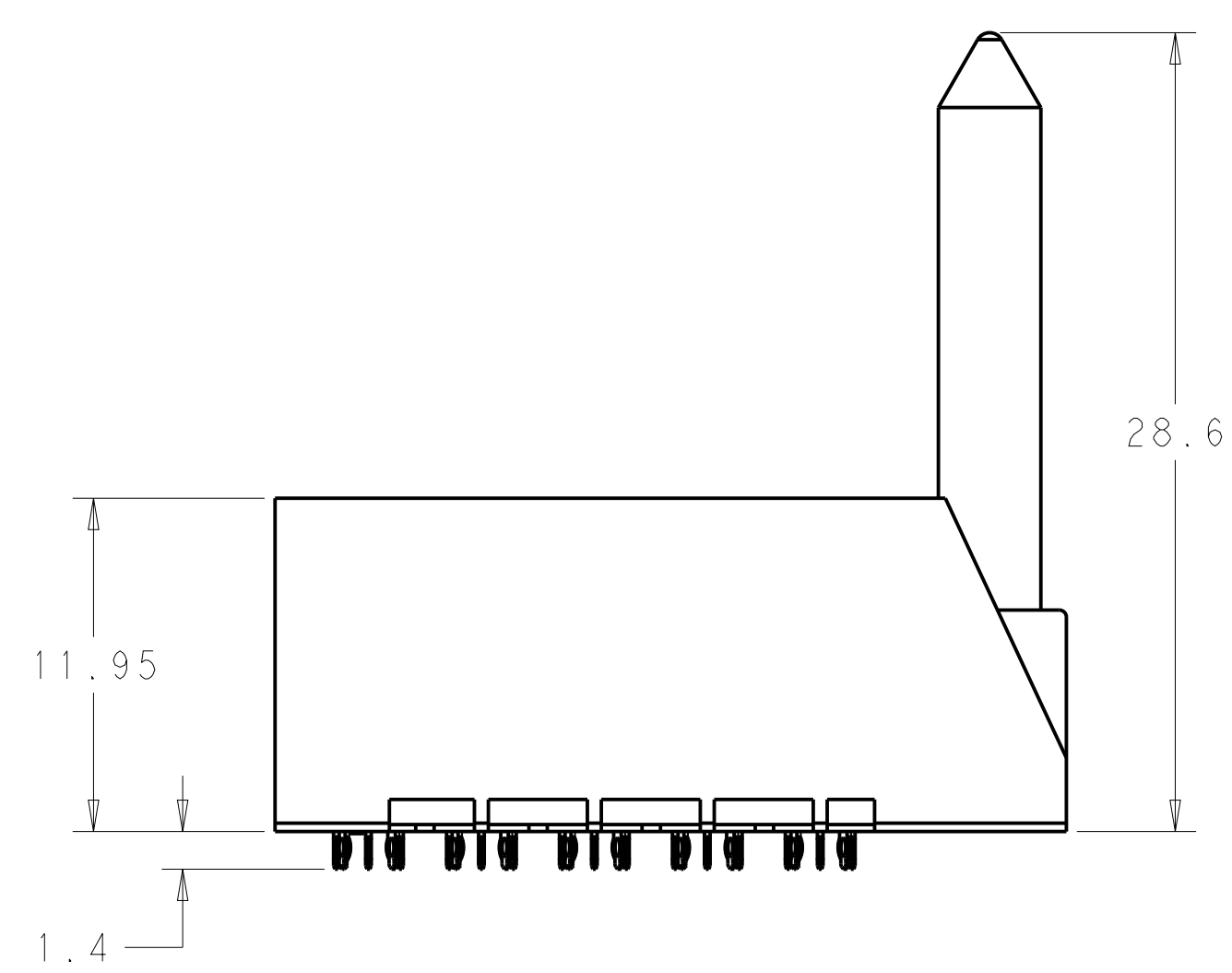
REVISIONS				
P.	LTN	DESCRIPTION	DATE	DMN APVD
C		REVISED PER ECO-14-013273	31OCT2014	AP DD



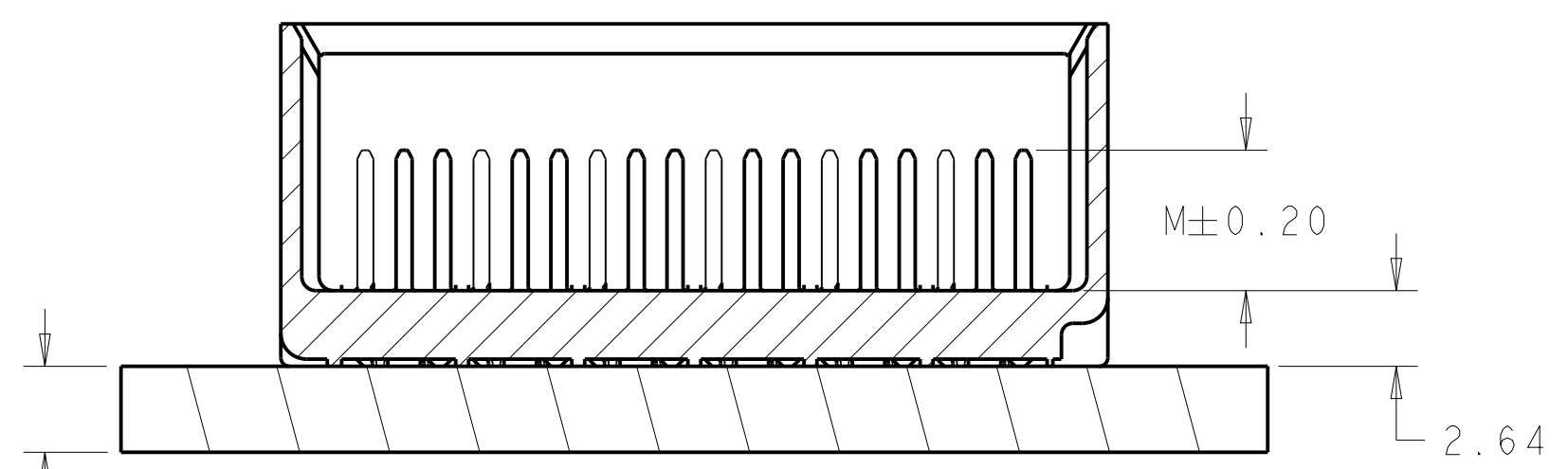
- 1 MATERIAL:
HOUSING: LCP GLASS FILLED UL94V-0
TERMINALS: HIGH PERFORMANCE COPPER ALLOY
- 2 FINISH:
30µ" MIN GOLD IN CONTACT AREA
SELECTIVE TIN ON PCB TAILS.
NICKEL OVERALL.
- 3. SCREWS PACKAGED IN END OF PACKAGING TUBE



LEFT GUIDED BACKPLANE HOLE PATTERN (CONNECTOR SIDE) SCALE 4:1



3.00 MIN BOARD THICKNESS



SECTION Z-Z

2	5.5	2143260-2
2	4.9	2143260-1
FINISH	DIM M	PART NUMBER

THIS DRAWING IS A CONTROLLED DOCUMENT.		DMN J. K. SHOBER 04JAN2011	TE Connectivity NAME IMPACT, 6 PAIR, 10 COLUMN, RIGHT GUIDED LEFT END WALL ASSEMBLY, ORTHOGONAL, 0.46 PTH SIZE CAGE CODE DRAWING NO RESTRICTED TO A100779C=2143260 SCALE 4:1 SHEET 1 OF 1 REV C
DIMENSIONS: mm		CHK J. EARY 04JAN2011	
TOLERANCES UNLESS OTHERWISE SPECIFIED:		APVD J. EARY 04JAN2011	
0 PLC ± 1 PLC ±0.25 2 PLC ±0.13 3 PLC ± 4 PLC ± ANGLES ±0		PRODUCT SPEC APPLICATION SPEC	
MATERIAL	FINISH	WEIGHT	CUSTOMER DRAWING