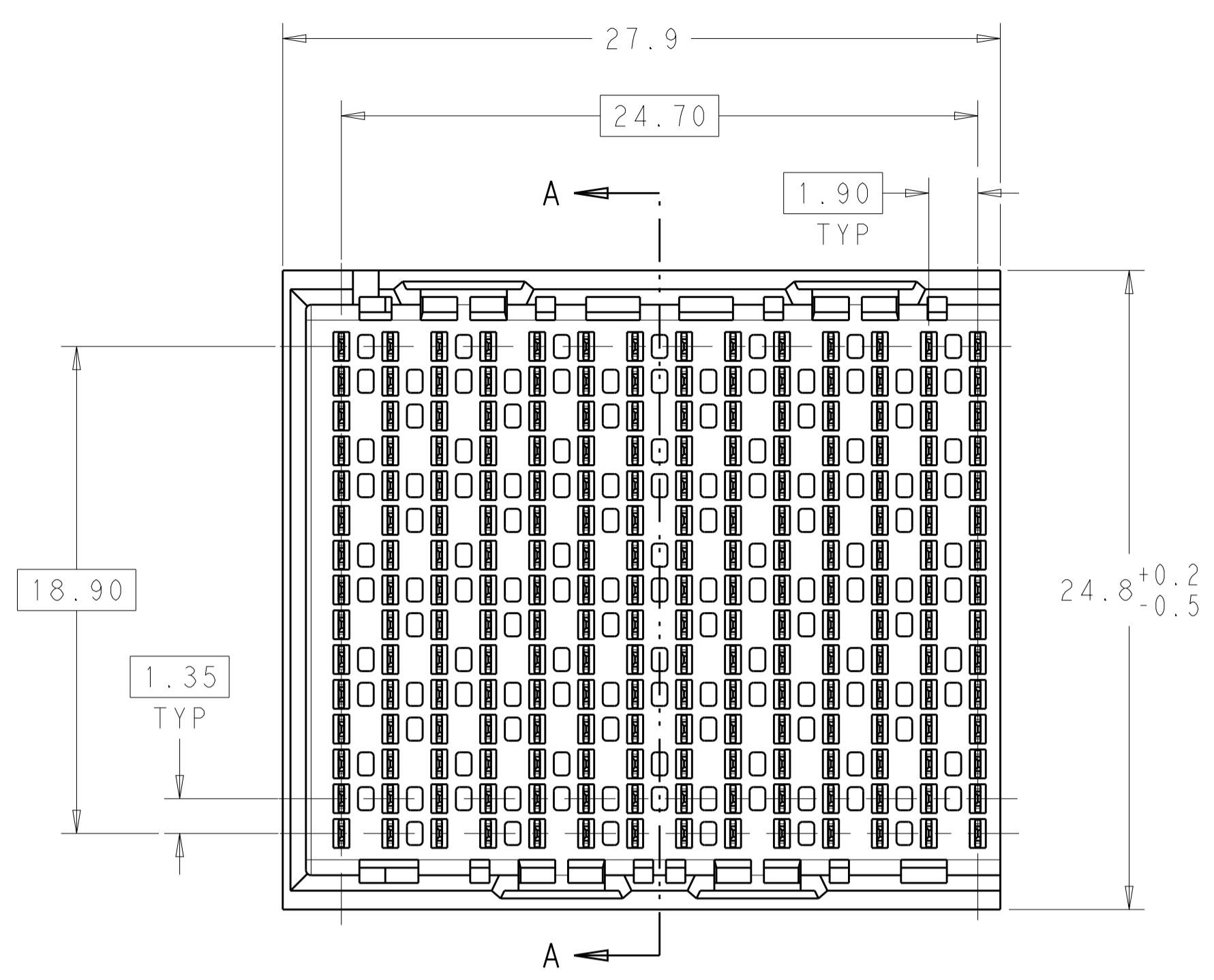
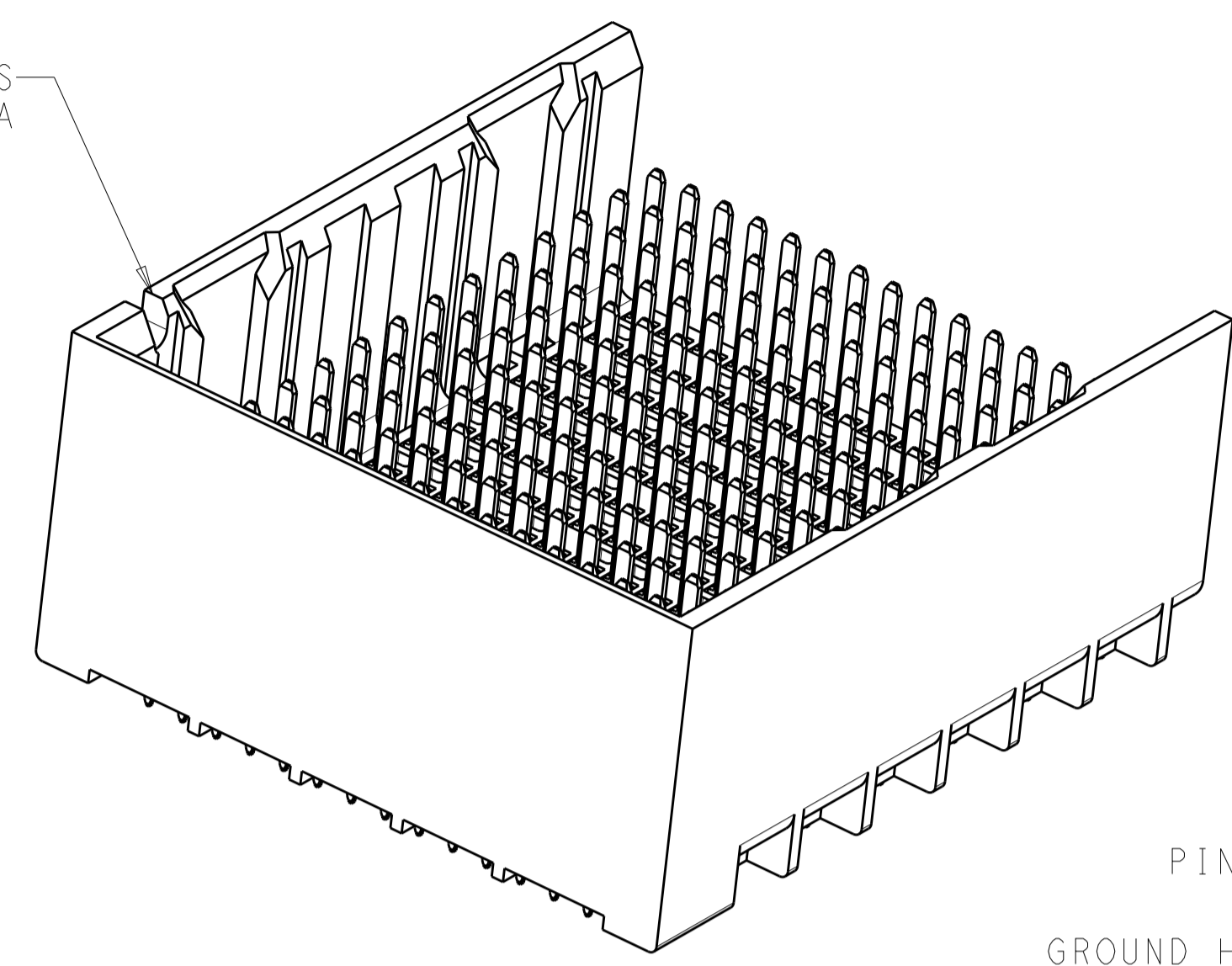


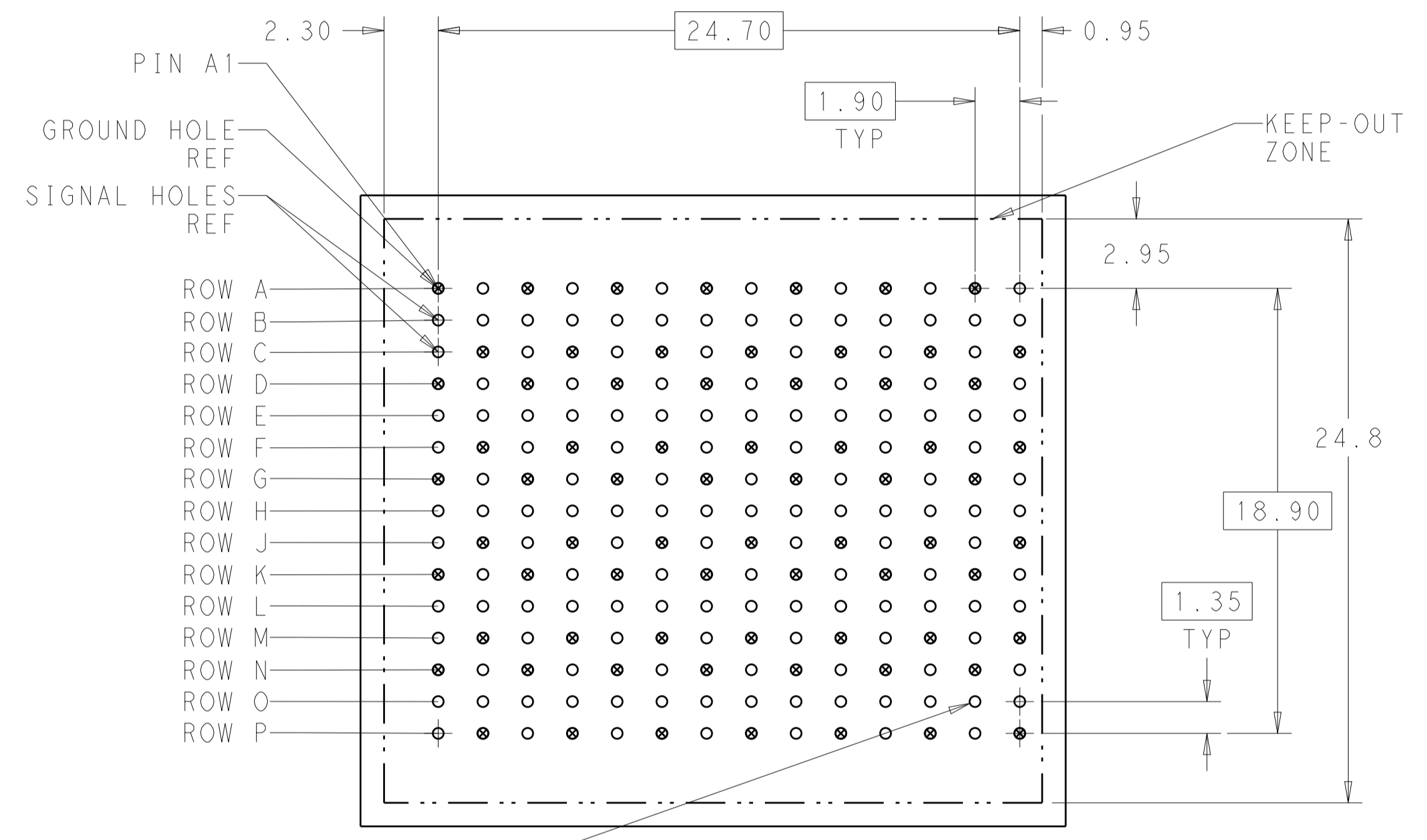
LOC		DIST		REVISIONS			
AD	00	P	LTN	DESCRIPTION	DATE	DWN	APVD
		A		CREATED BY AUTOMATION PROGRAM	06MAY2011	RKC	JE



NOTCH DESIGNATES ROW A



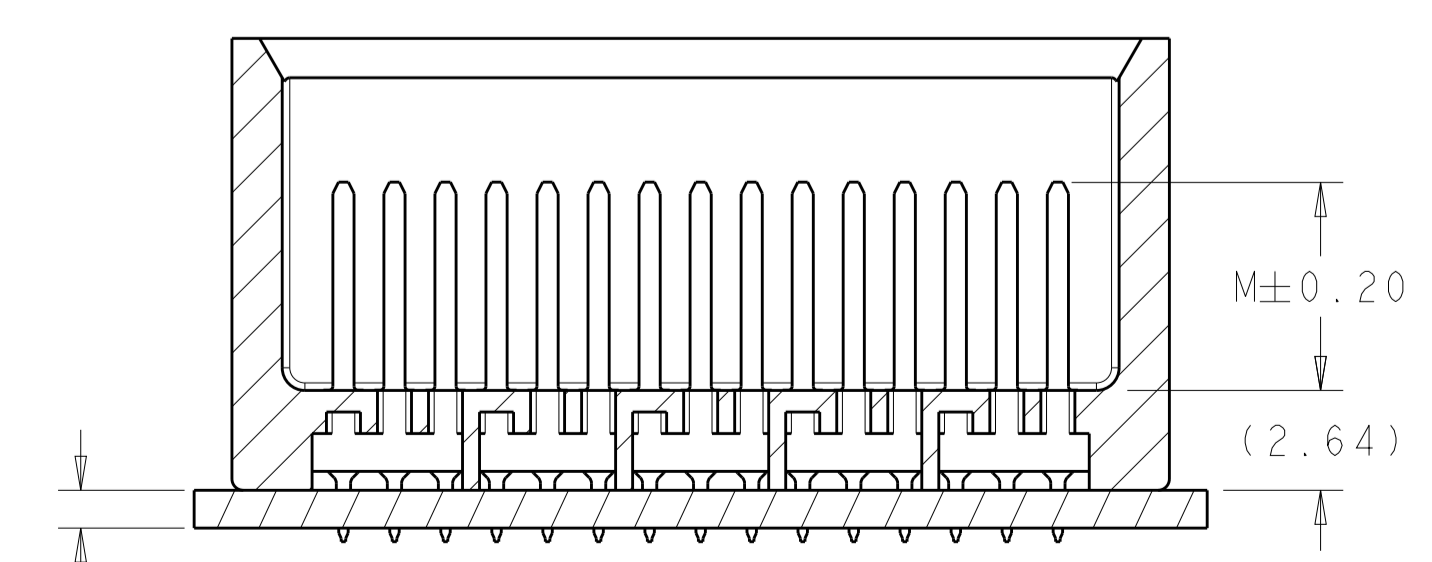
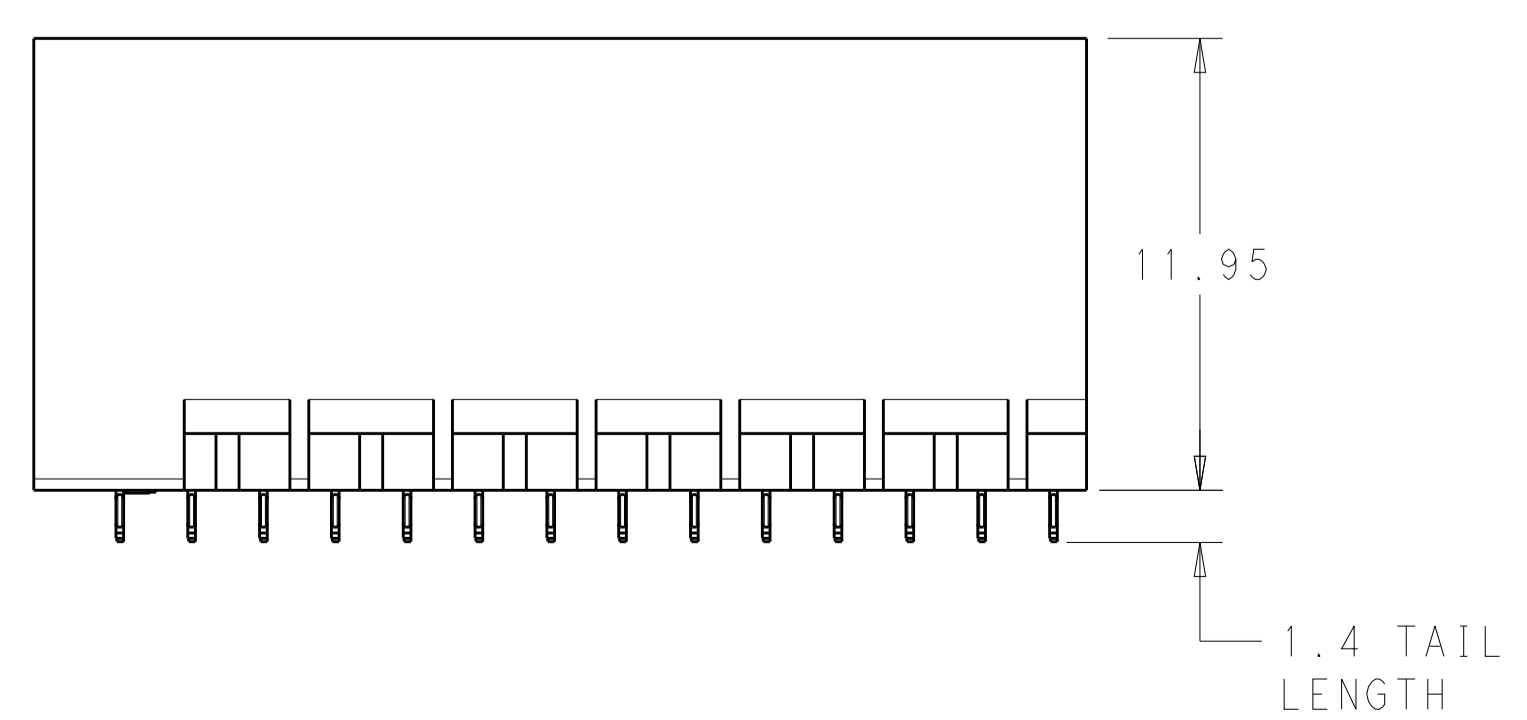
- 1 MATERIAL:
HOUSING: LCP, GLASS FILLED, UL94V-0.
TERMINALS: HIGH PERFORMANCE COPPER ALLOY.
- 2 FINISH:
30µ" MIN GOLD IN CONTACT AREA. SELECTIVE TIN ON PCB TAILS, NICKEL OVERALL.
- 3 FINISH:
30µ" MIN GOLD IN CONTACT AREA. SELECTIVE TIN-LEAD ON PCB TAILS, NICKEL OVERALL.



210X Ø0.46±0.05
PLATED THRU HOLE

210X Ø0.55±0.013
DRILL HOLE
⊕ Ø0.10

UNGUIDED
BACKPLANE HOLE PATTERN
(CONNECTOR SIDE)



THIS DRAWING IS A CONTROLLED DOCUMENT.		DWN R. COELLO 05MAY2011	TE Connectivity NAME IMPACT, 5 PAIR, 14 COLUMN, HEADER UNGUIDED, LEFT END WALL SIGNAL MODULE, 0.46 PTH SIZE CAGE CODE DRAWING NO. RESTRICTED TO A100779C=2143158 CUSTOMER DRAWING SCALE 5:1 SHEET 1 OF 2 REV A
DIMENSIONS:	TOLERANCES UNLESS OTHERWISE SPECIFIED:	CHK J. EARY 05MAY2011	
mm	0 PLC ± 1 PLC ±0.25 2 PLC ±0.13 3 PLC ± 4 PLC ± ANGLES ±	APVD J. EARY 05MAY2011	
MATERIAL FINISH SEE TABLE		PRODUCT SPEC APPLICATION SPEC WEIGHT	

THIS DRAWING IS UNPUBLISHED. RELEASED FOR PUBLICATION 20
 © COPYRIGHT 20 BY - ALL RIGHTS RESERVED.

LOC	DIST	REVISIONS					
		P	LTN	DESCRIPTION	DATE	DWN	APVD
AD	00	-		SEE SHEET 1	-	-	-

FINISH	DIM M	PART NUMBER
\triangle_3	5.5	2143158-6
\triangle_3	4.9	2143158-5
\triangle_3	4.5	2143158-4
\triangle_2	5.5	2143158-3
\triangle_2	4.9	2143158-2
\triangle_2	4.5	2143158-1

REFER TO WWW.TE.COM
FOR PRODUCT AVAILABILITY

THIS DRAWING IS A CONTROLLED DOCUMENT.		DWN R. COELLO 05MAY2011	
		CHK J. EARY 05MAY2011	
DIMENSIONS:		APVD J. EARY 05MAY2011	NAME IMPACT, 5 PAIR, 14 COLUMN, HEADER UNGUIDED, LEFT END WALL SIGNAL MODULE, 0.46 PTH
TOLERANCES UNLESS OTHERWISE SPECIFIED:		PRODUCT SPEC	
mm	0 PLC ±	APPLICATION SPEC	SIZE CAGE CODE DRAWING NO RESTRICTED TO
	1 PLC ±0.25	WEIGHT	A100779C=2143158
	2 PLC ±0.13	CUSTOMER DRAWING	SCALE 5:1 SHEET 2 OF 2 REV A
	3 PLC ±		
	4 PLC ±		
	ANGLES ±		
	FINISH SEE TABLE		