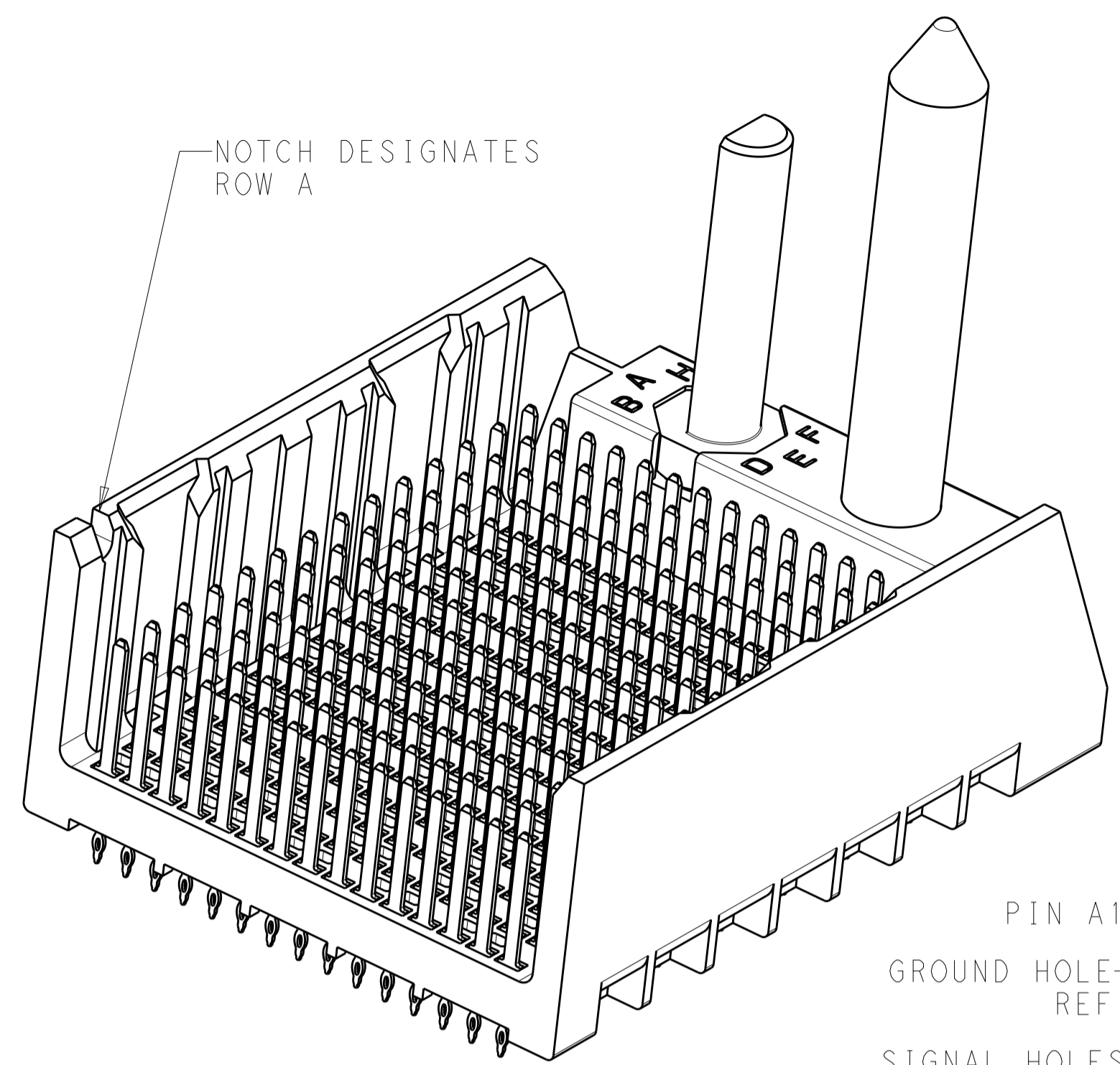
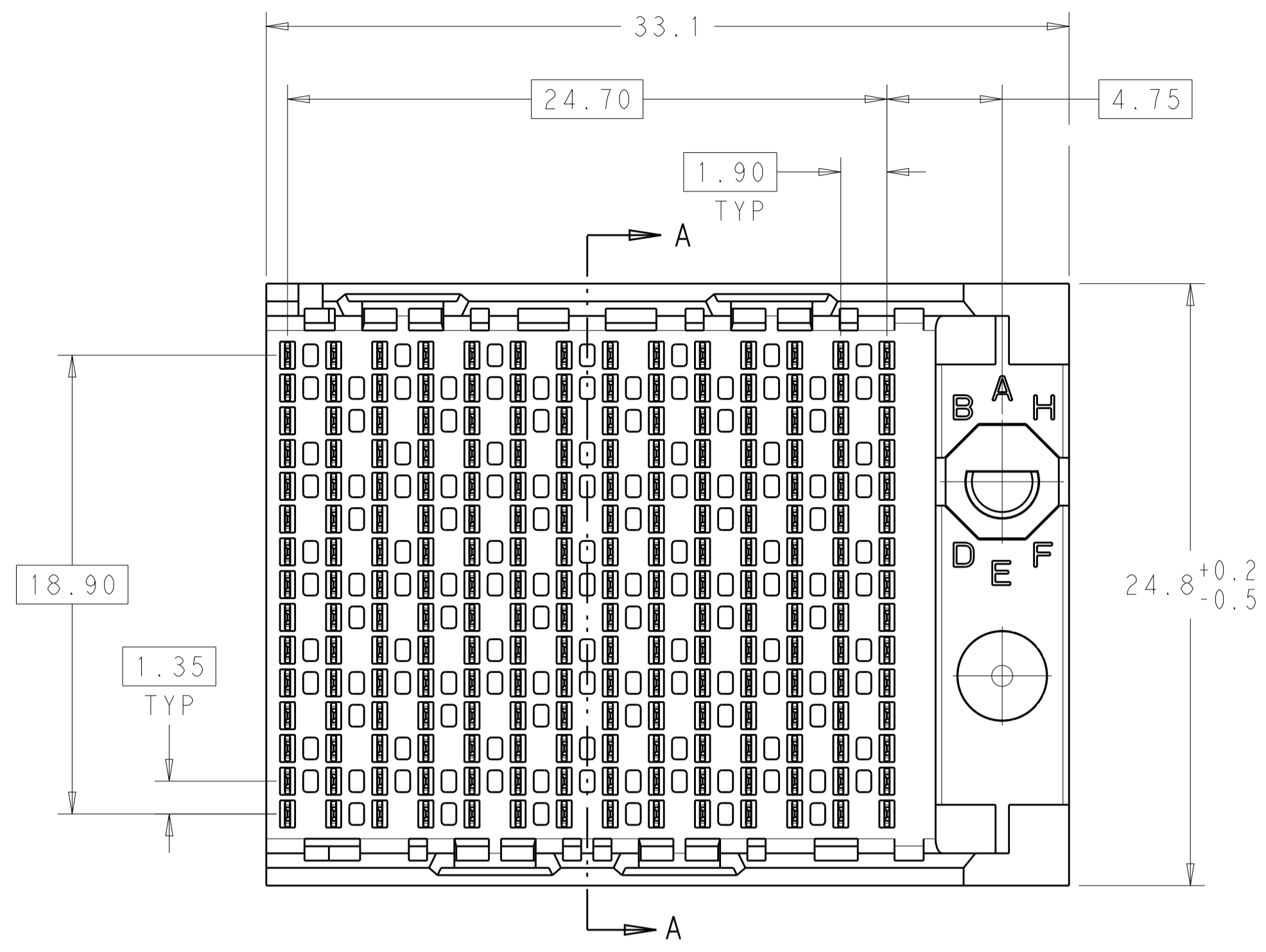
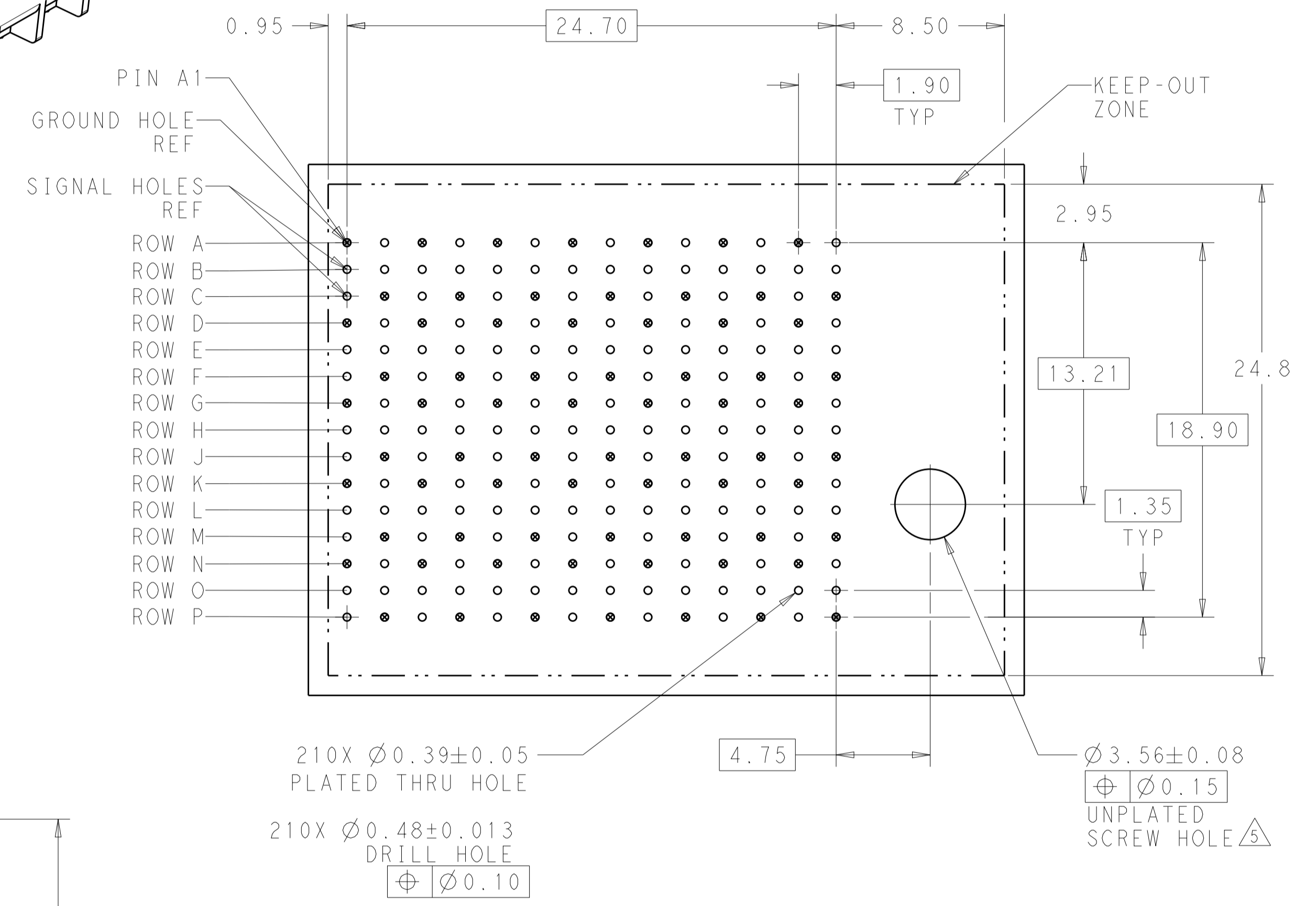


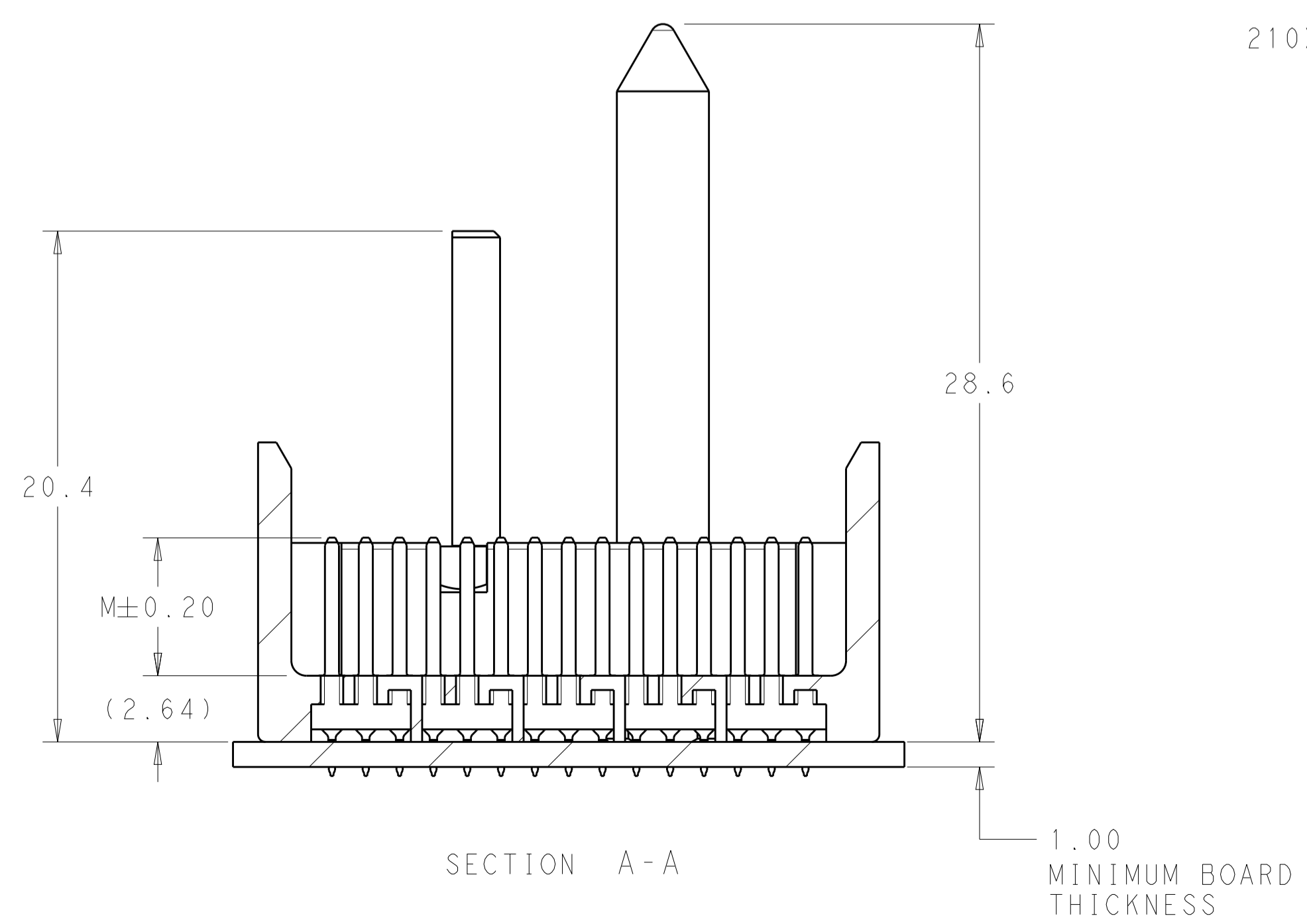
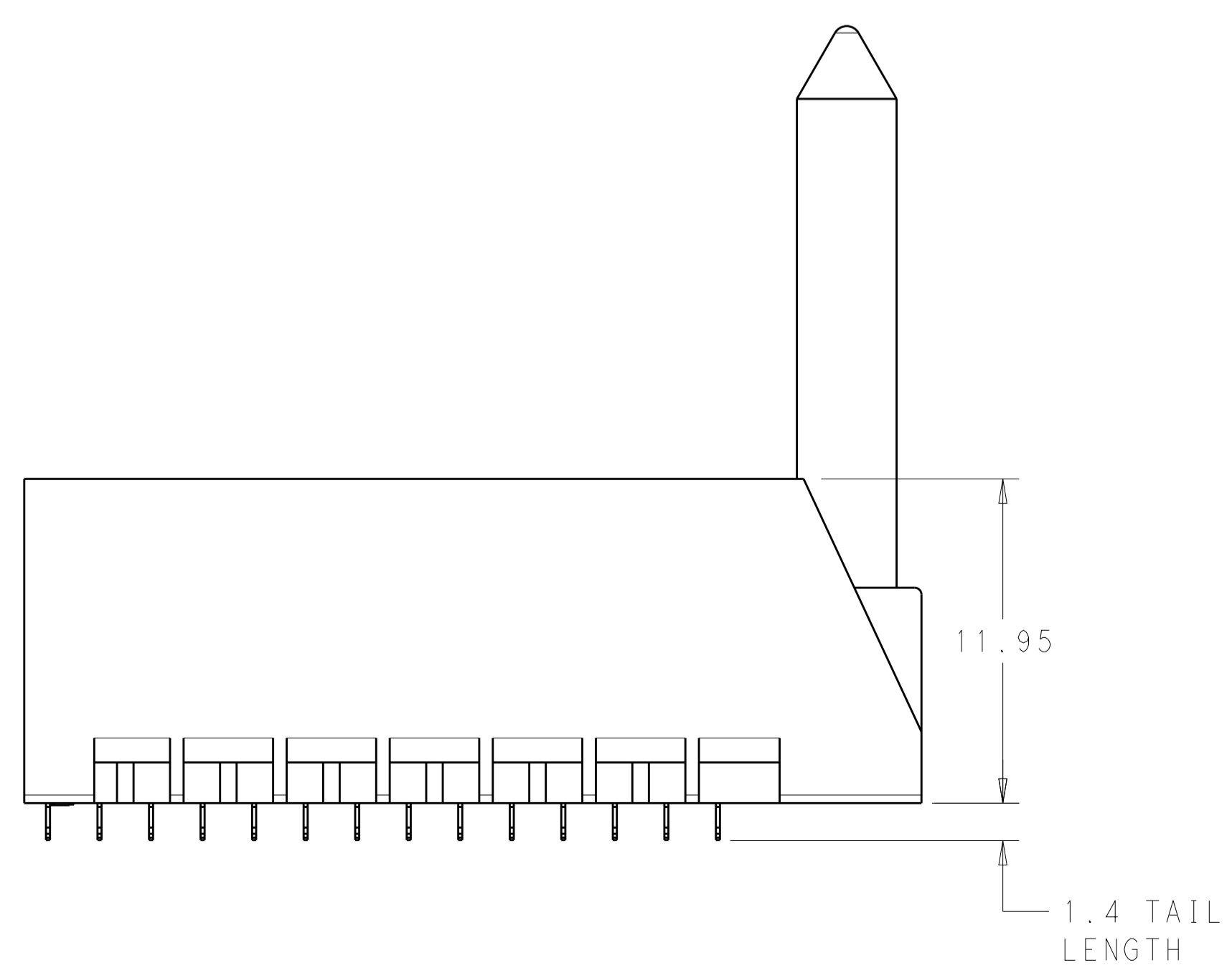
LOC		DIST		REVISIONS			
AD	00	P	LTN	DESCRIPTION	DATE	DWN	APVD
		A		CREATED BY AUTOMATION PROGRAM	06MAY2011	RKC	JE



- 1 MATERIAL:
HOUSING: LCP, GLASS FILLED, UL94V-0.
TERMINALS: HIGH PERFORMANCE COPPER ALLOY.
- 2 FINISH:
30µ" MIN GOLD IN CONTACT AREA. SELECTIVE TIN ON PCB TAILS, NICKEL OVERALL.
- 3 FINISH:
30µ" MIN GOLD IN CONTACT AREA. SELECTIVE TIN-LEAD ON PCB TAILS, NICKEL OVERALL.
- 4. SCREWS PACKAGED IN END OF PACKAGING TUBE.
- 5 FOR GROUNDED GUIDE PIN USE Ø3.56±0.08 PTH, Ø3.66 DRILL, AND Ø6.5 PAD.
- 6. KEYING PIN SHOWN IN POSITION A, SEE KEYING CHART ON SHEET 2 FOR OTHER POSITIONS.



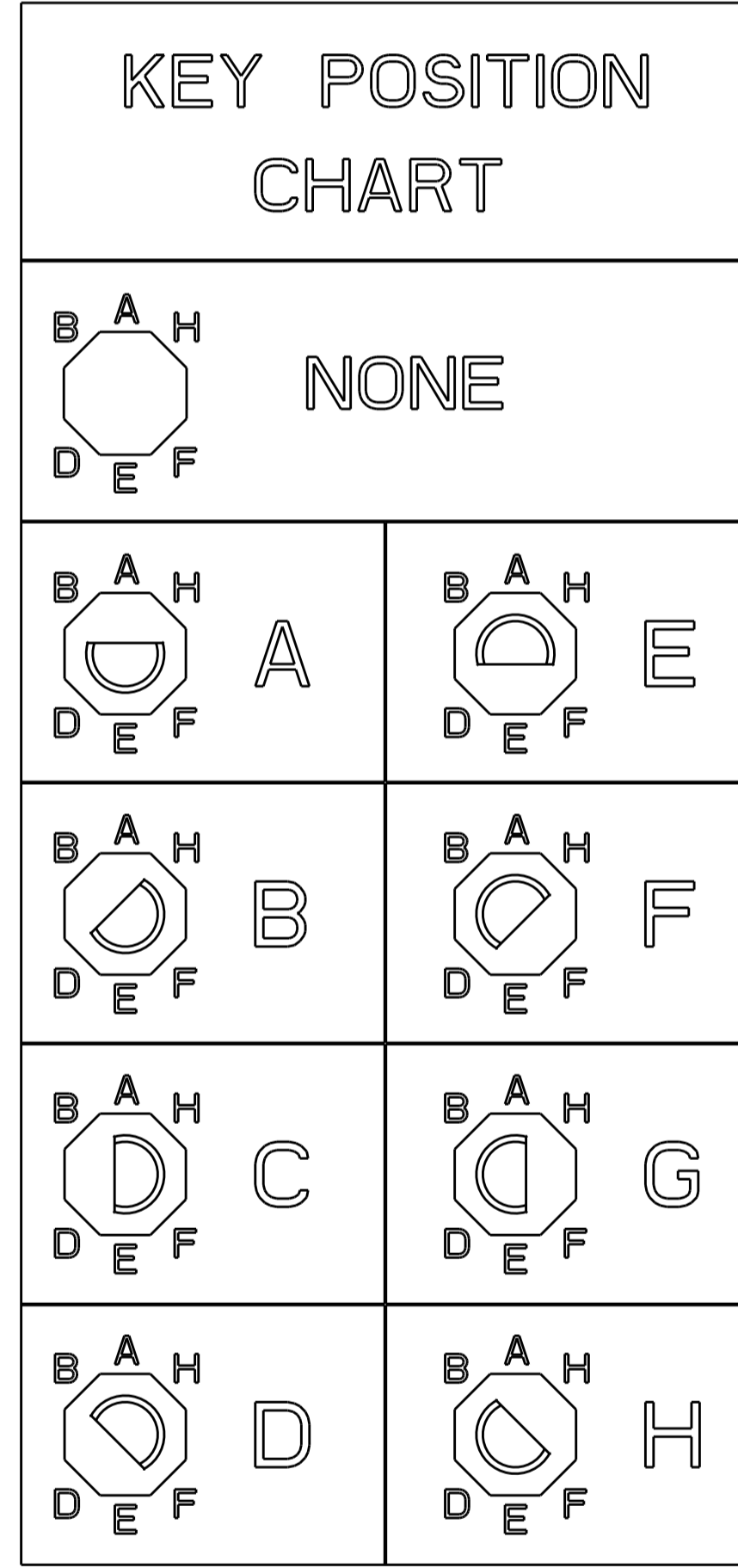
RIGHT GUIDED BACKPLANE HOLE PATTERN (CONNECTOR SIDE)



THIS DRAWING IS A CONTROLLED DOCUMENT.		DWN	05MAY2011	STE TE Connectivity
DIMENSIONS:		CHK	J. EARY 05MAY2011	
TOLERANCES UNLESS OTHERWISE SPECIFIED:		APVD	J. EARY 05MAY2011	NAME IMPACT, 5 PAIR, 14 COLUMN, HEADER RIGHT GUIDED, OPEN END WALL SIGNAL MODULE, 0.39 PTH
mm		PRODUCT SPEC		
0 PLC ±		APPLICATION SPEC		SIZE CAGE CODE DRAWING NO A100779C=2143155
1 PLC ±0.25		WEIGHT		
2 PLC ±0.13		CUSTOMER DRAWING		SCALE 5:1 SHEET 1 OF 2 REV A
3 PLC ±				
4 PLC ±				
ANGLES ±				
FINISH SEE TABLE				

LOC		DIST		REVISIONS			
AD	00	P	LTN	DESCRIPTION	DATE	DWN	APVD
		-		SEE SHEET 1		-	-

3	H	5.5	8-2143155-6
3	H	4.9	8-2143155-5
3	H	4.5	8-2143155-4
2	H	5.5	8-2143155-3
2	H	4.9	8-2143155-2
2	H	4.5	8-2143155-1
3	G	5.5	7-2143155-6
3	G	4.9	7-2143155-5
3	G	4.5	7-2143155-4
2	G	5.5	7-2143155-3
2	G	4.9	7-2143155-2
2	G	4.5	7-2143155-1
3	F	5.5	6-2143155-6
3	F	4.9	6-2143155-5
3	F	4.5	6-2143155-4
2	F	5.5	6-2143155-3
2	F	4.9	6-2143155-2
2	F	4.5	6-2143155-1
3	E	5.5	5-2143155-6
3	E	4.9	5-2143155-5
3	E	4.5	5-2143155-4
2	E	5.5	5-2143155-3
2	E	4.9	5-2143155-2
2	E	4.5	5-2143155-1
3	D	5.5	4-2143155-6
3	D	4.9	4-2143155-5
3	D	4.5	4-2143155-4
2	D	5.5	4-2143155-3
2	D	4.9	4-2143155-2
2	D	4.5	4-2143155-1
3	C	5.5	3-2143155-6
3	C	4.9	3-2143155-5
3	C	4.5	3-2143155-4
2	C	5.5	3-2143155-3
2	C	4.9	3-2143155-2
2	C	4.5	3-2143155-1
3	B	5.5	2-2143155-6
3	B	4.9	2-2143155-5
3	B	4.5	2-2143155-4
2	B	5.5	2-2143155-3
2	B	4.9	2-2143155-2
2	B	4.5	2-2143155-1
3	A	5.5	1-2143155-6
3	A	4.9	1-2143155-5
3	A	4.5	1-2143155-4
2	A	5.5	1-2143155-3
2	A	4.9	1-2143155-2
2	A	4.5	1-2143155-1
3	-	5.5	2143155-6
3	-	4.9	2143155-5
3	-	4.5	2143155-4
2	-	5.5	2143155-3
2	-	4.9	2143155-2
2	-	4.5	2143155-1
FINISH	KEY POSITION	DIM M	PART NUMBER



REFER TO WWW.TE.COM
FOR PRODUCT AVAILABILITY

THIS DRAWING IS A CONTROLLED DOCUMENT.		DWN - 05MAY2011	TE Connectivity
DIMENSIONS: mm		CHK J. EARY 05MAY2011	
TOLERANCES UNLESS OTHERWISE SPECIFIED:		APVD J. EARY 05MAY2011	NAME: IMPACT, 5 PAIR, 14 COLUMN, HEADER RIGHT GUIDED, OPEN END WALL SIGNAL MODULE, 0.39 PTH
0 PLC ±0.25 1 PLC ±0.13 2 PLC ±0.13 3 PLC ±0.13 4 PLC ±0.13 ANGLES ±0.13		PRODUCT SPEC	
MATERIAL: SEE TABLE		APPLICATION SPEC	RESTRICTED TO
FINISH: SEE TABLE		WEIGHT	SIZE: CAGE CODE DRAWING NO: A100779C=2143155
CUSTOMER DRAWING		SCALE: 5:1	SHEET 2 OF 2 REV A