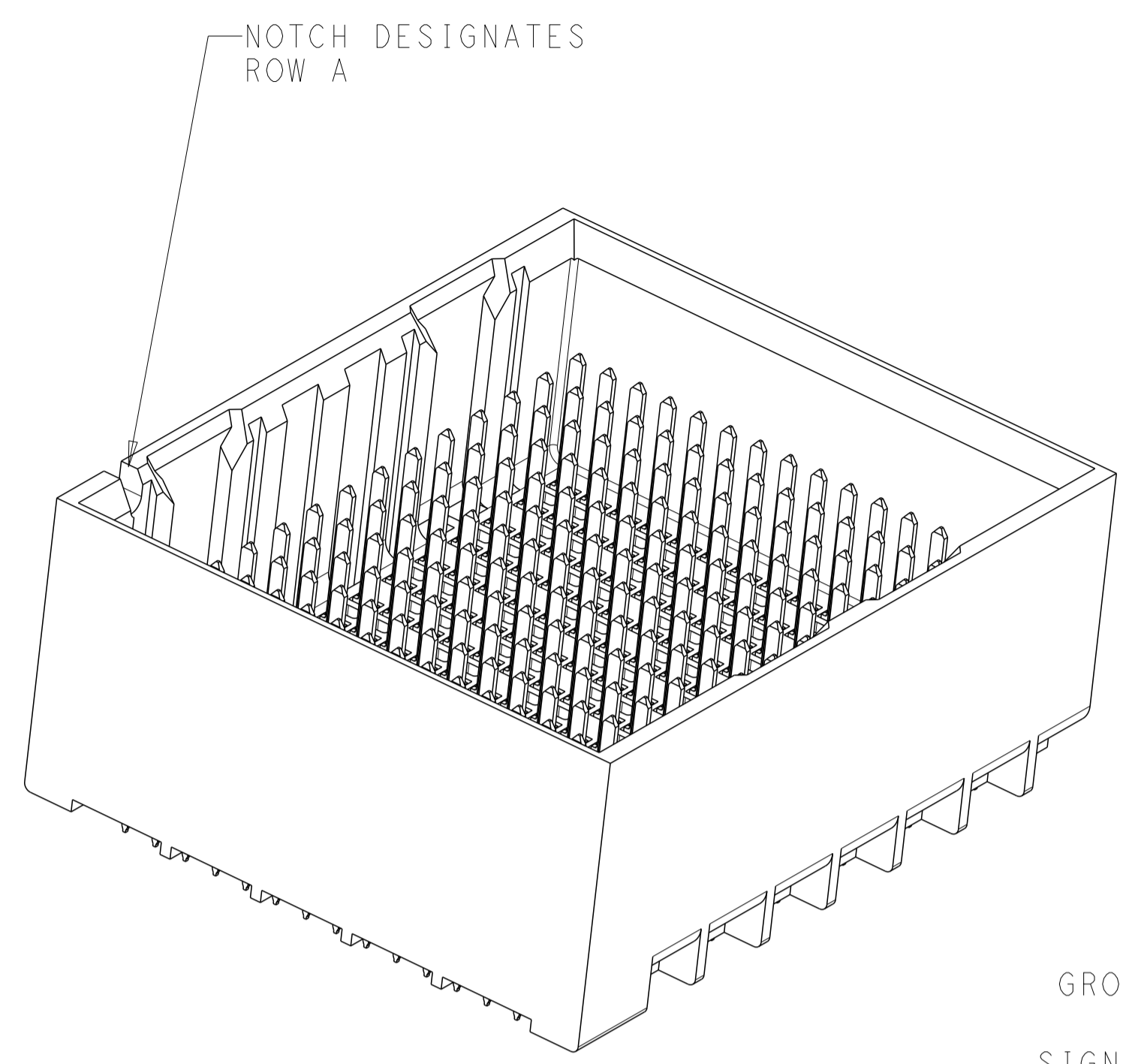
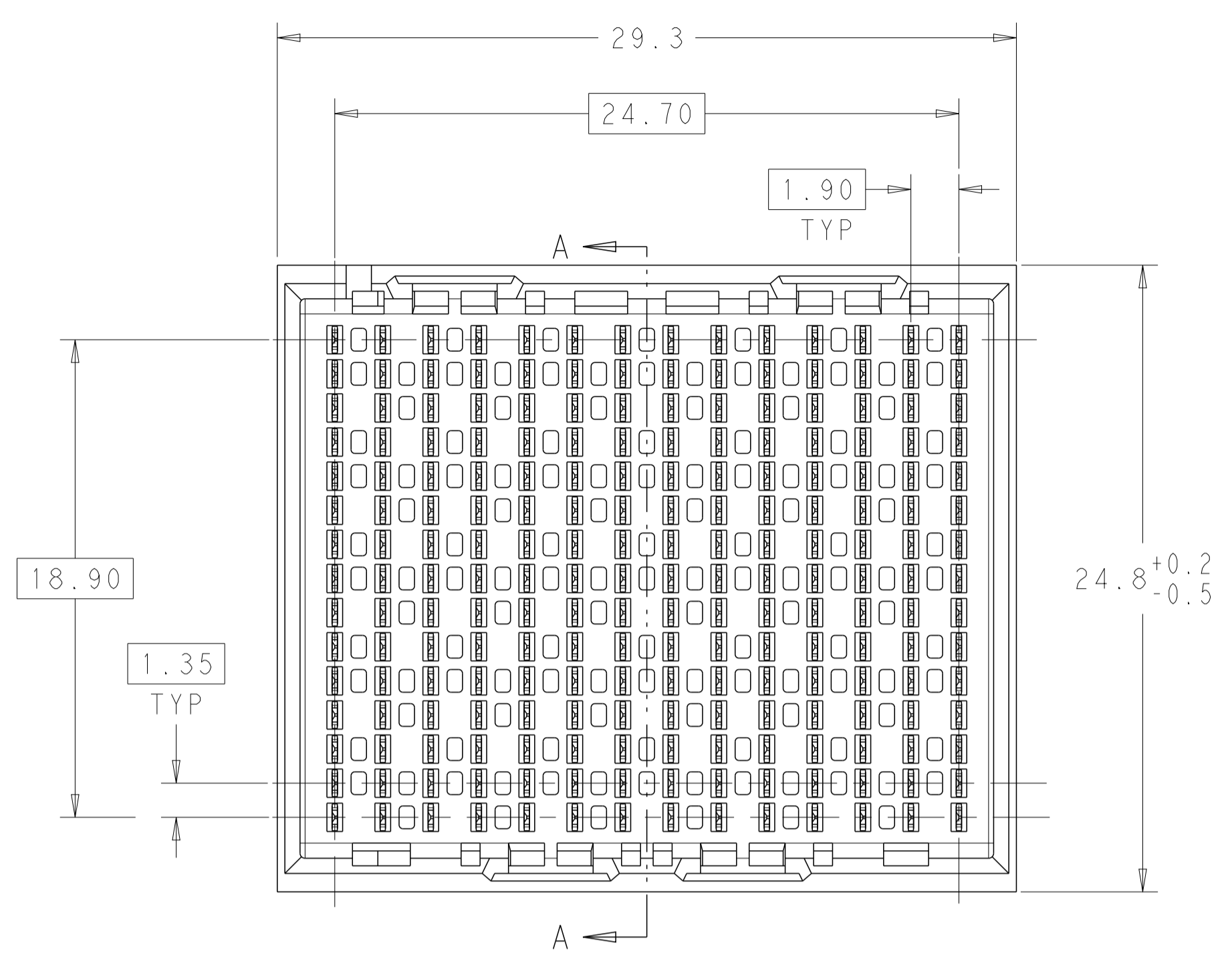
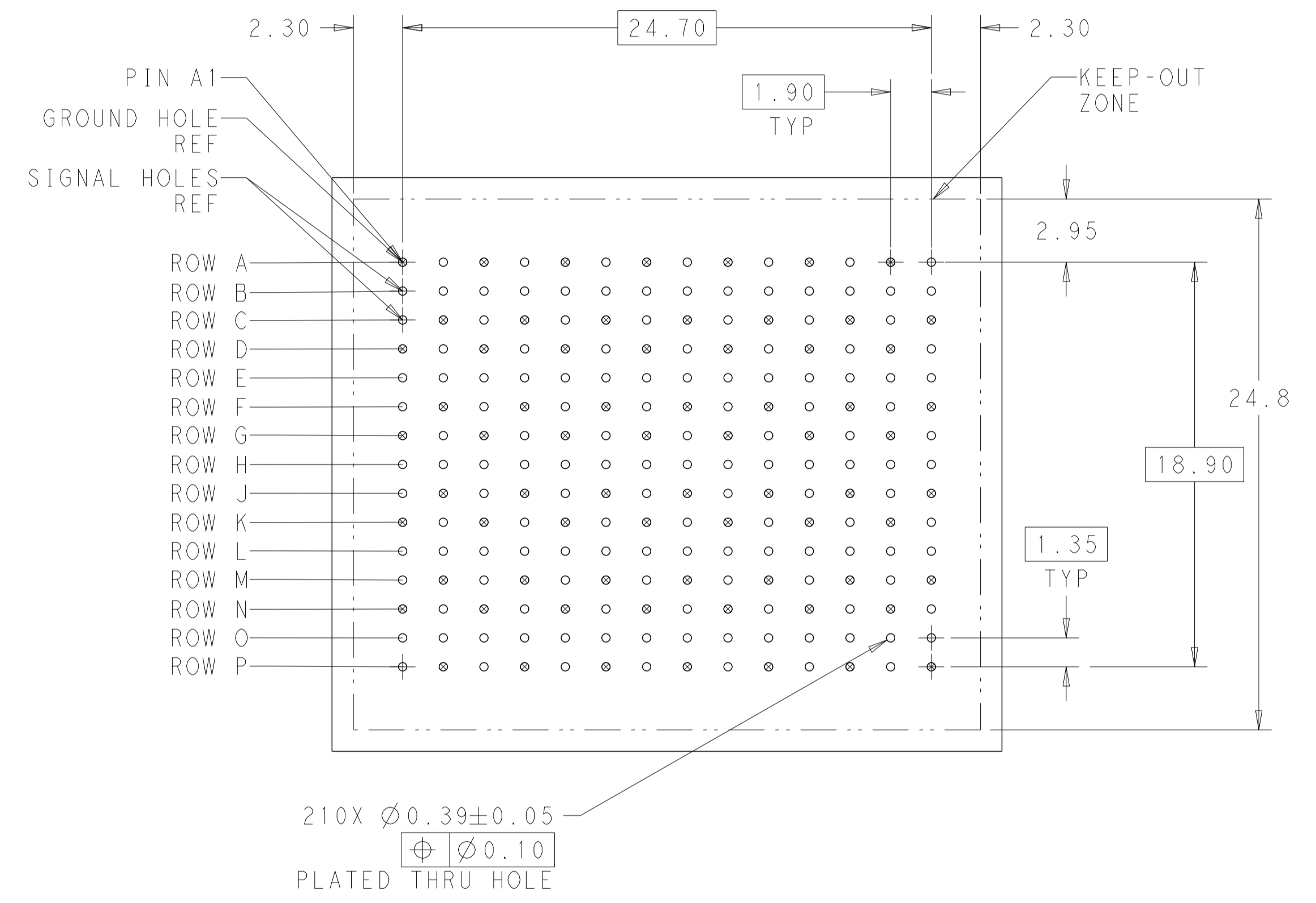


LOC		DIST		REVISIONS			
AD	00	P	LTH	DESCRIPTION	DATE	DWN	APVD
		B		REVISED PER ECO-16-003958	16MAR2016	AP	SY

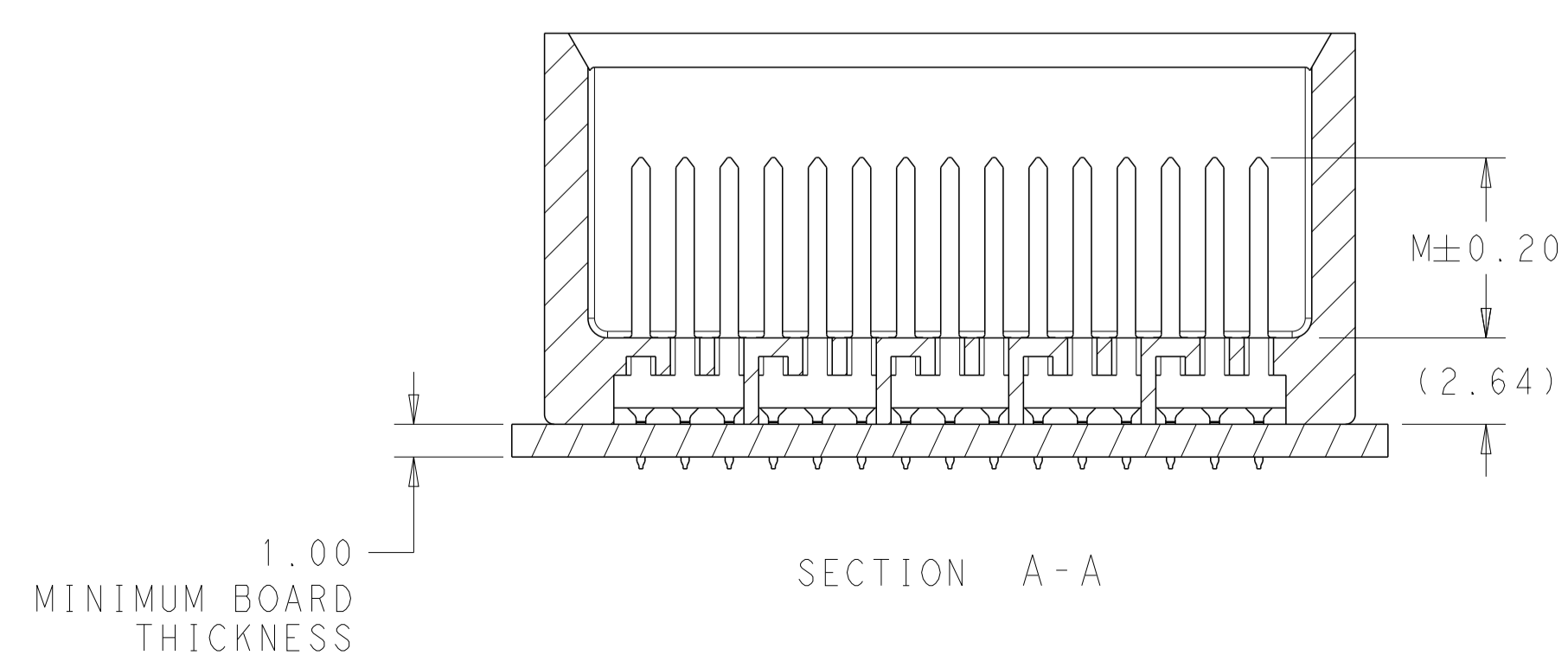
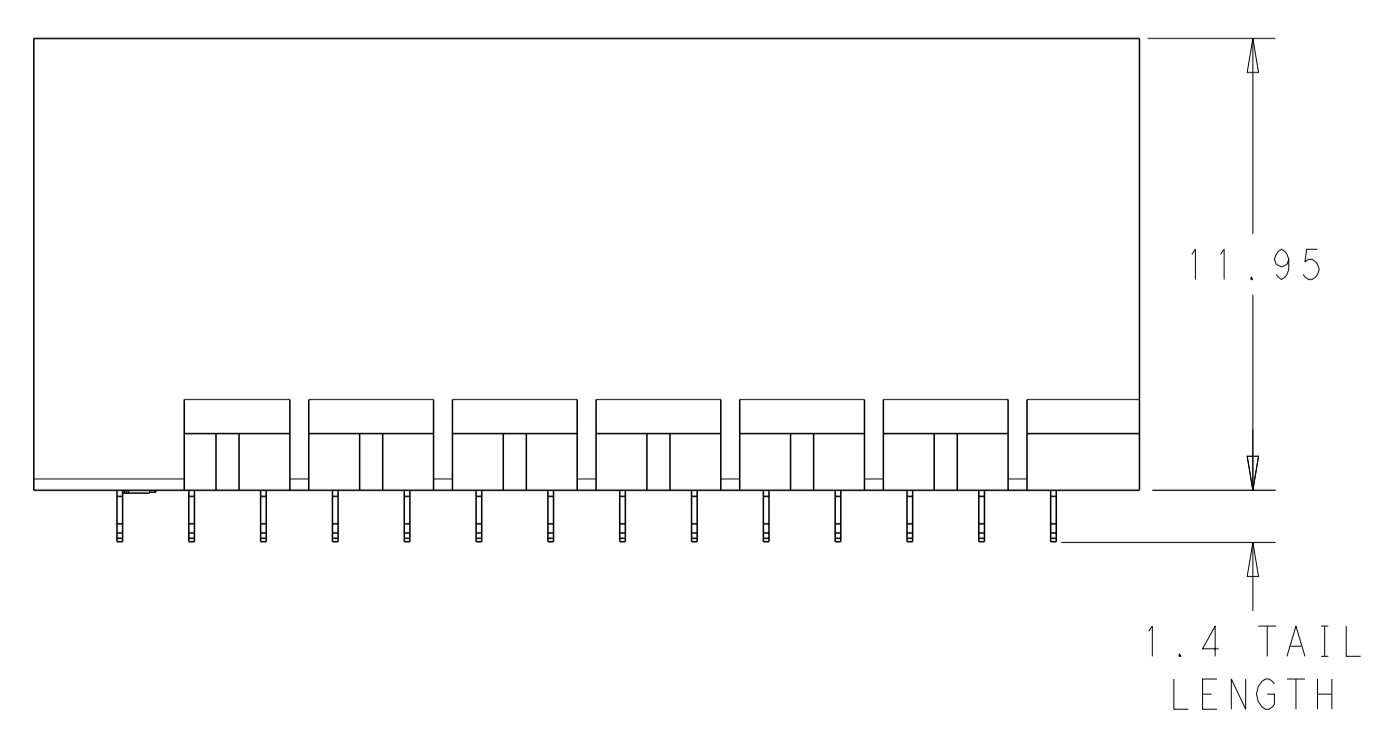


- 1 MATERIAL:
HOUSING: LCP, GLASS FILLED, UL94V-0.
TERMINALS: HIGH PERFORMANCE COPPER ALLOY.
- 2 FINISH:
30μ" MIN GOLD IN CONTACT AREA. SELECTIVE TIN ON PCB TAILS, NICKEL OVERALL.
- 3 FINISH:
30μ" MIN GOLD IN CONTACT AREA. SELECTIVE TIN-LEAD ON PCB TAILS, NICKEL OVERALL.



210X Ø0.39±0.05
 PLATED THRU HOLE

UNGUIDED BACKPLANE HOLE PATTERN (CONNECTOR SIDE)



THIS DRAWING IS A CONTROLLED DOCUMENT.		DWN	02MAY2011	STE TE Connectivity
DIMENSIONS:		CHK	02MAY2011	
mm	0 PLC ±	APVD	02MAY2011	NAME IMPACT, 5 PAIR, 14 COLUMN, HEADER UNGUIDED, DUAL END WALL SIGNAL MODULE, 0.39 PTH
	1 PLC ±0.25	PRODUCT SPEC		
	2 PLC ±0.13	APPLICATION SPEC		SIZE
	3 PLC ±			CAGE CODE
	4 PLC ±			DRAWING NO
	ANGLES ±			RESTRICTED TO
MATERIAL	FINISH	WEIGHT		A100779C=2143151
	SEE TABLE	Customer Drawing	SCALE	5:1
			SHEET	1 OF 2
			REV	B

THIS DRAWING IS UNPUBLISHED. RELEASED FOR PUBLICATION 20
 © COPYRIGHT 20 BY - ALL RIGHTS RESERVED.

LOC	DIST	REVISIONS			
P	LTN	DESCRIPTION	DATE	DWN	APVD
-	-	SEE SHEET 1	-	-	-

FINISH	DIM M	PART NUMBER
△3	5.5	2143151-6
△3	4.9	2143151-5
△3	4.5	2143151-4
△2	5.5	2143151-3
△2	4.9	2143151-2
△2	4.5	2143151-1

REFER TO WWW.TE.COM
FOR PRODUCT AVAILABILITY

THIS DRAWING IS A CONTROLLED DOCUMENT.		DWN - 02MAY2011	
DIMENSIONS: mm		CHK J. EARY 02MAY2011	
TOLERANCES UNLESS OTHERWISE SPECIFIED:		APVD J. EARY 02MAY2011	NAME IMPACT, 5 PAIR, 14 COLUMN, HEADER UNGUIDED, DUAL END WALL SIGNAL MODULE, 0.39 PTH
0 PLC ±0.25 1 PLC ±0.13 2 PLC ± 3 PLC ± 4 PLC ±		PRODUCT SPEC	
ANGLES FINISH SEE TABLE		APPLICATION SPEC	RESTRICTED TO
MATERIAL -		WEIGHT -	SIZE A100779 C=2143151
Customer Drawing		SCALE 5:1	SHEET 2 OF 2 REV B