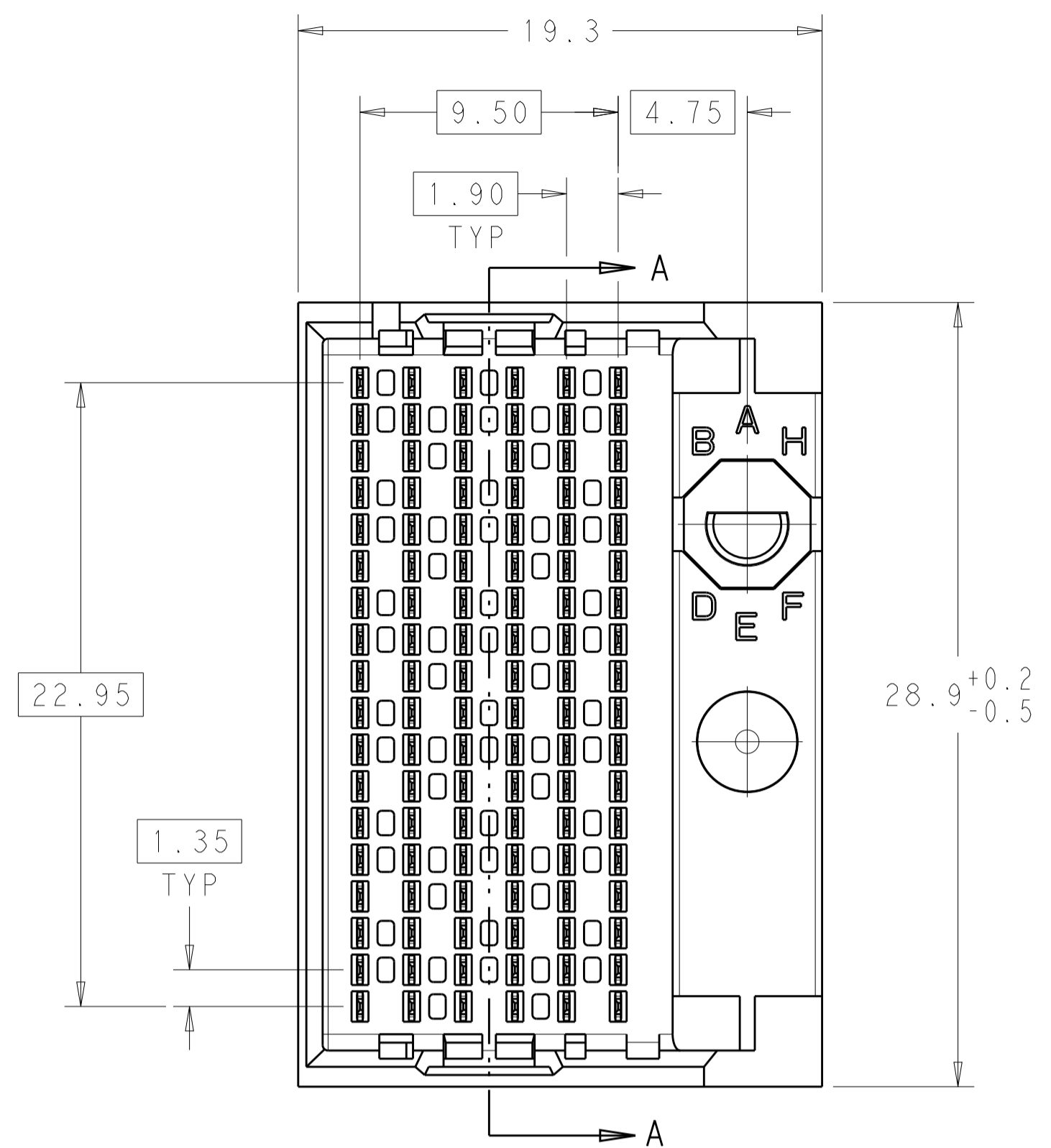
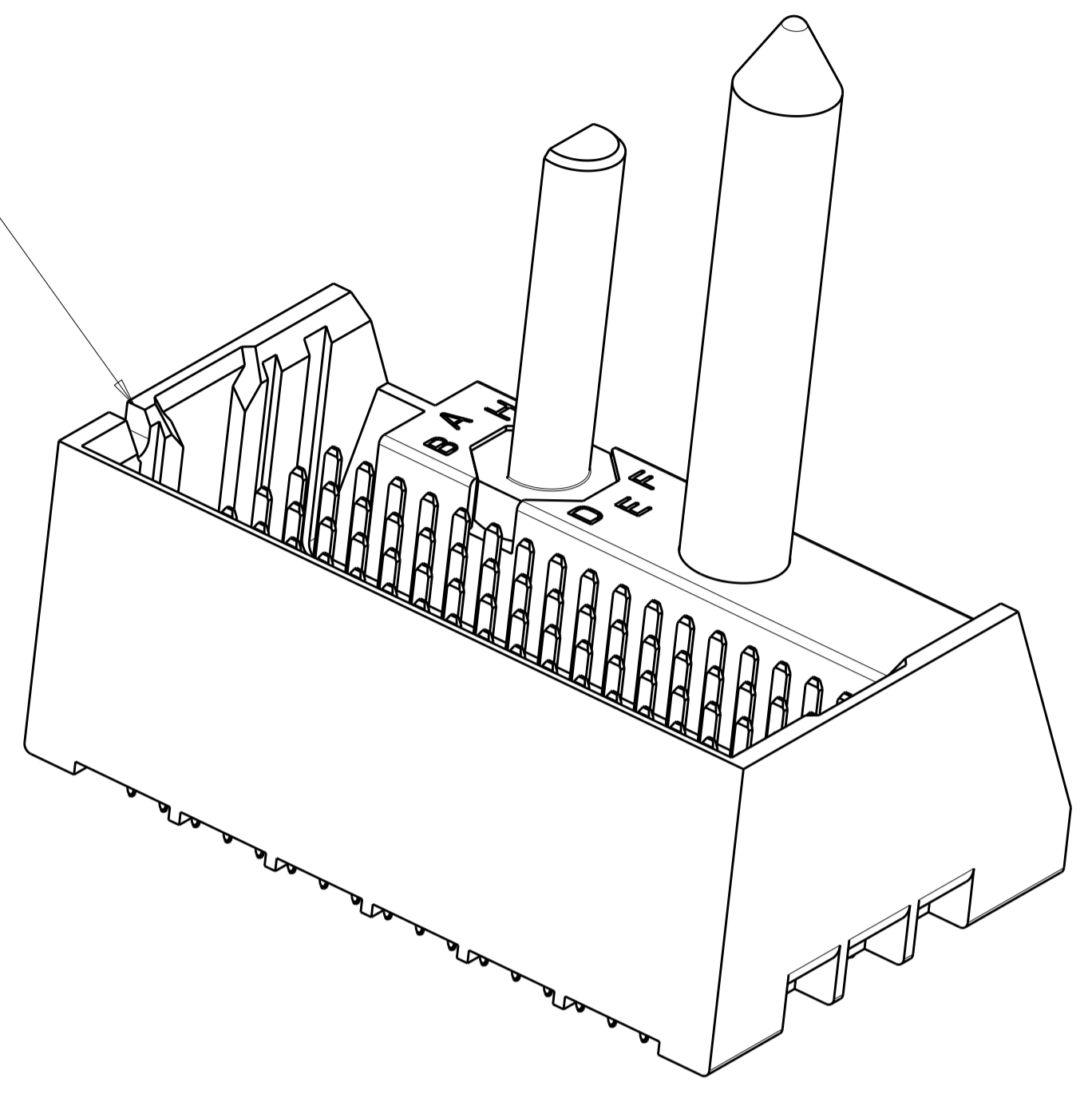


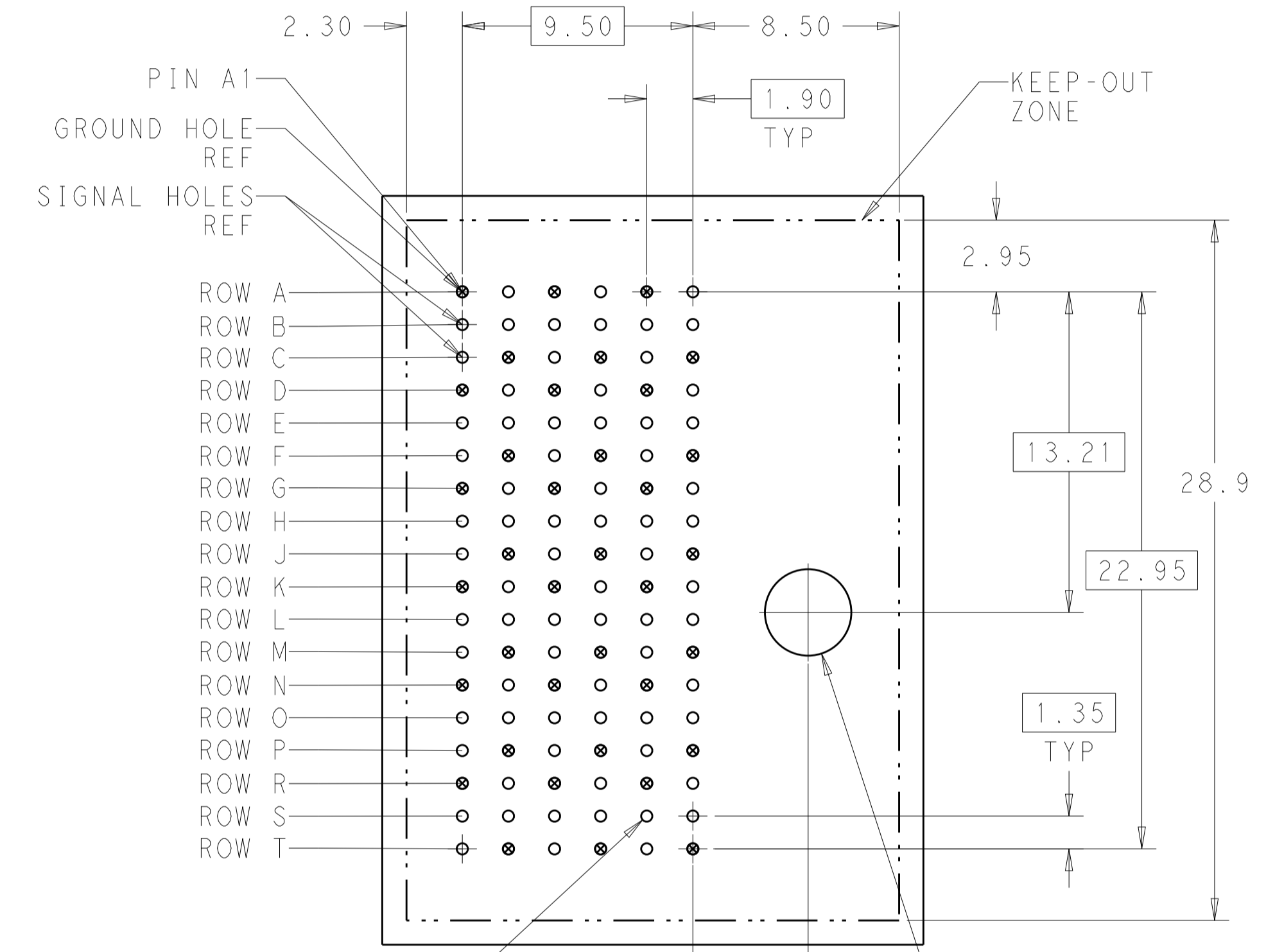
LOC		DIST		REVISIONS			
AD	00	P	LTN	DESCRIPTION	DATE	DWN	APVD
		A		CREATED BY AUTOMATION PROGRAM	09JUN2011	RKC	JE



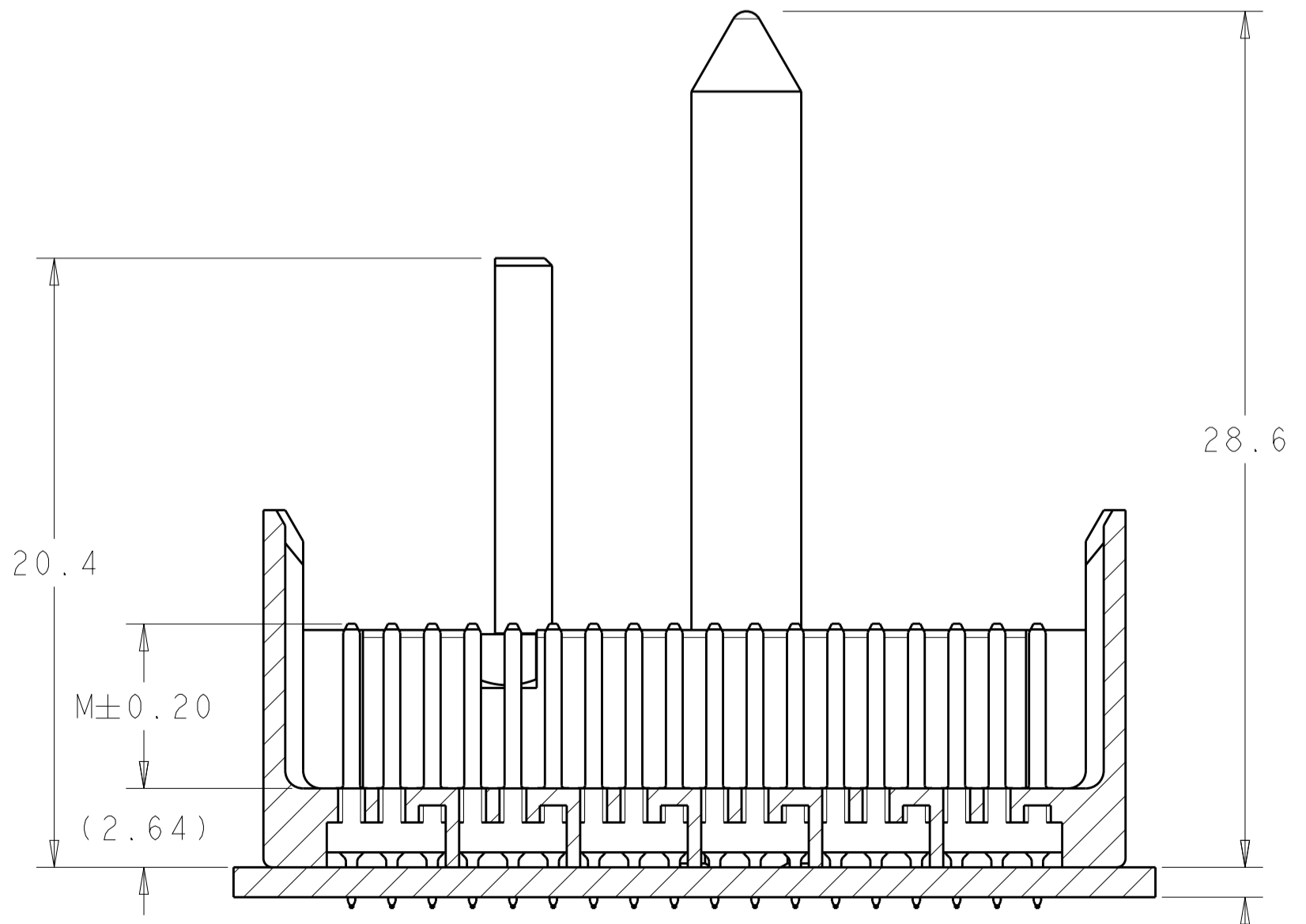
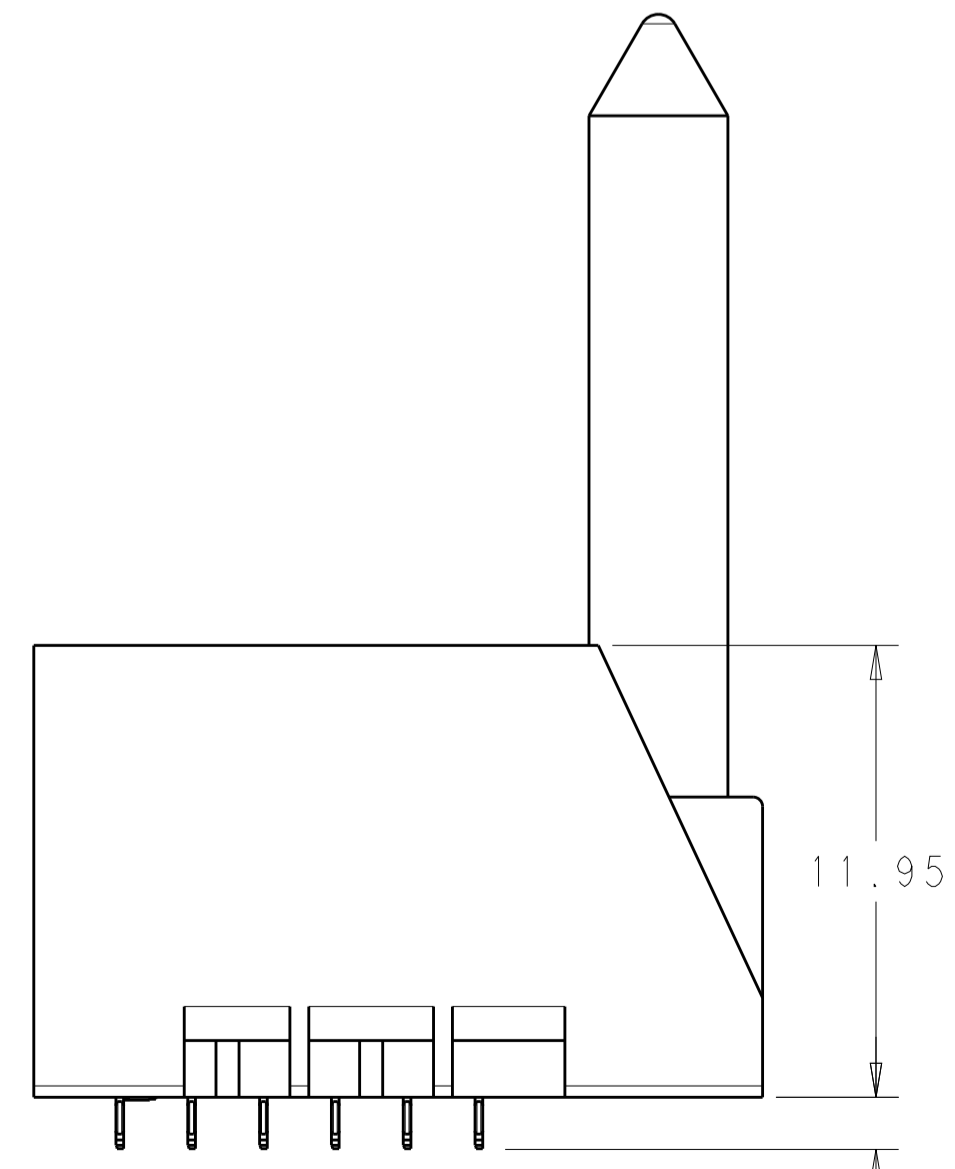
NOTCH DESIGNATES ROW A



- 1 MATERIAL:
HOUSING: LCP, GLASS FILLED, UL94V-0.
TERMINALS: HIGH PERFORMANCE COPPER ALLOY.
- 2 FINISH:
30µ" MIN GOLD IN CONTACT AREA. SELECTIVE TIN ON PCB TAILS, NICKEL OVERALL.
- 3 FINISH:
30µ" MIN GOLD IN CONTACT AREA. SELECTIVE TIN-LEAD ON PCB TAILS, NICKEL OVERALL.
- 4. SCREWS PACKAGED IN END OF PACKAGING TUBE.
- 5 FOR GROUNDED GUIDE PIN USE $\varnothing 3.56 \pm 0.08$ PTH, $\varnothing 3.66$ DRILL, AND $\varnothing 6.5$ PAD.
- 6. KEYING PIN SHOWN IN POSITION A, SEE KEYING CHART ON SHEET 2 FOR OTHER POSITIONS.



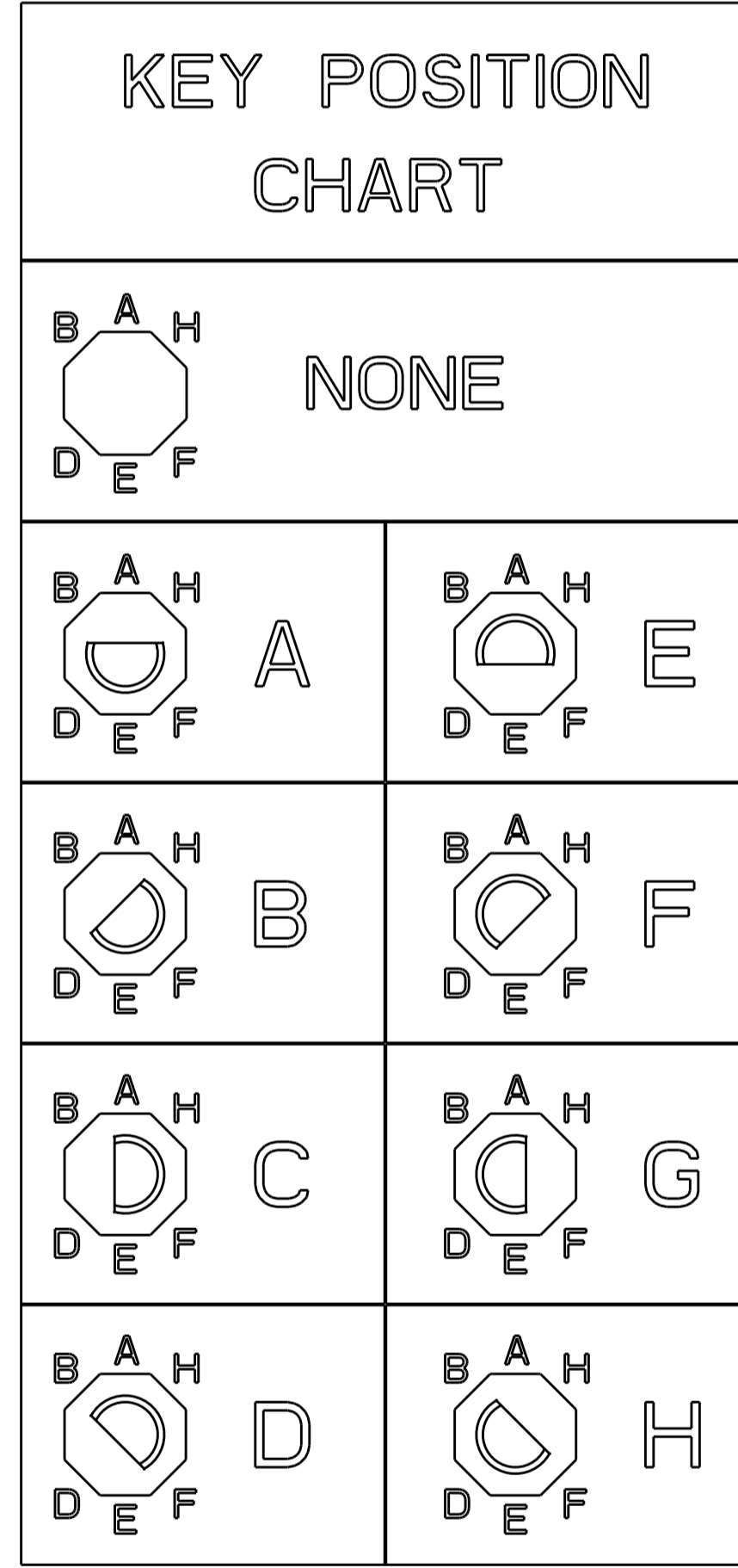
108X $\varnothing 0.46 \pm 0.05$ PLATED THRU HOLE
 108X $\varnothing 0.55 \pm 0.013$ DRILL HOLE $\varnothing 0.10$
 $\varnothing 3.56 \pm 0.08$ UNPLATED SCREW HOLE $\varnothing 0.15$
 RIGHT GUIDED BACKPLANE HOLE PATTERN (CONNECTOR SIDE)



THIS DRAWING IS A CONTROLLED DOCUMENT.		DWN R. COELLO 07JUN2011	TE Connectivity
DIMENSIONS: mm		CHK J. EARY 07JUN2011	
TOLERANCES UNLESS OTHERWISE SPECIFIED:		APVD J. EARY 07JUN2011	NAME IMPACT, 6 PAIR, 6 COLUMN, HEADER RIGHT GUIDED, LEFT END WALL SIGNAL MODULE, 0.46 PTH
0 PLC ±.25		PRODUCT SPEC	SIZE CAGE CODE DRAWING NO. RESTRICTED TO
1 PLC ±0.13		APPLICATION SPEC	A100779C=2143052
2 PLC ±.10		WEIGHT	SCALE 5:1 SHEET 1 OF 2 REV A
3 PLC ±.08		CUSTOMER DRAWING	
4 PLC ±.07			
ANGLES ±.0			
FINISH SEE TABLE			

LOC		DIST		REVISIONS			
AD	00	P	LTN	DESCRIPTION	DATE	DWN	APVD
		-		SEE SHEET 1		-	-

3	H	5.5	8-2143052-6
3	H	4.9	8-2143052-5
3	H	4.5	8-2143052-4
2	H	5.5	8-2143052-3
2	H	4.9	8-2143052-2
2	H	4.5	8-2143052-1
3	G	5.5	7-2143052-6
3	G	4.9	7-2143052-5
3	G	4.5	7-2143052-4
2	G	5.5	7-2143052-3
2	G	4.9	7-2143052-2
2	G	4.5	7-2143052-1
3	F	5.5	6-2143052-6
3	F	4.9	6-2143052-5
3	F	4.5	6-2143052-4
2	F	5.5	6-2143052-3
2	F	4.9	6-2143052-2
2	F	4.5	6-2143052-1
3	E	5.5	5-2143052-6
3	E	4.9	5-2143052-5
3	E	4.5	5-2143052-4
2	E	5.5	5-2143052-3
2	E	4.9	5-2143052-2
2	E	4.5	5-2143052-1
3	D	5.5	4-2143052-6
3	D	4.9	4-2143052-5
3	D	4.5	4-2143052-4
2	D	5.5	4-2143052-3
2	D	4.9	4-2143052-2
2	D	4.5	4-2143052-1
3	C	5.5	3-2143052-6
3	C	4.9	3-2143052-5
3	C	4.5	3-2143052-4
2	C	5.5	3-2143052-3
2	C	4.9	3-2143052-2
2	C	4.5	3-2143052-1
3	B	5.5	2-2143052-6
3	B	4.9	2-2143052-5
3	B	4.5	2-2143052-4
2	B	5.5	2-2143052-3
2	B	4.9	2-2143052-2
2	B	4.5	2-2143052-1
3	A	5.5	1-2143052-6
3	A	4.9	1-2143052-5
3	A	4.5	1-2143052-4
2	A	5.5	1-2143052-3
2	A	4.9	1-2143052-2
2	A	4.5	1-2143052-1
3	-	5.5	2143052-6
3	-	4.9	2143052-5
3	-	4.5	2143052-4
2	-	5.5	2143052-3
2	-	4.9	2143052-2
2	-	4.5	2143052-1
FINISH	KEY POSITION	DIM M	PART NUMBER



REFER TO WWW.TE.COM
FOR PRODUCT AVAILABILITY

THIS DRAWING IS A CONTROLLED DOCUMENT.		DWN R. COELLO 07JUN2011	TE Connectivity
DIMENSIONS: mm		CHK J. EARY 07JUN2011	
TOLERANCES UNLESS OTHERWISE SPECIFIED:		APVD J. EARY 07JUN2011	
0 PLC ±0.25	1 PLC ±0.13	2 PLC ±0.13	NAME IMPACT, 6 PAIR, 6 COLUMN, HEADER RIGHT GUIDED, LEFT END WALL SIGNAL MODULE, 0.46 PTH
3 PLC ±0.13	4 PLC ±0.13	ANGLES ±0.13	PRODUCT SPEC
MATERIAL	FINISH SEE TABLE	WEIGHT	APPLICATION SPEC
CUSTOMER DRAWING		SCALE 5:1	RESTRICTED TO
SIZE CAGE CODE DRAWING NO. A100779C=2143052		SHEET 2 OF 2	REV A