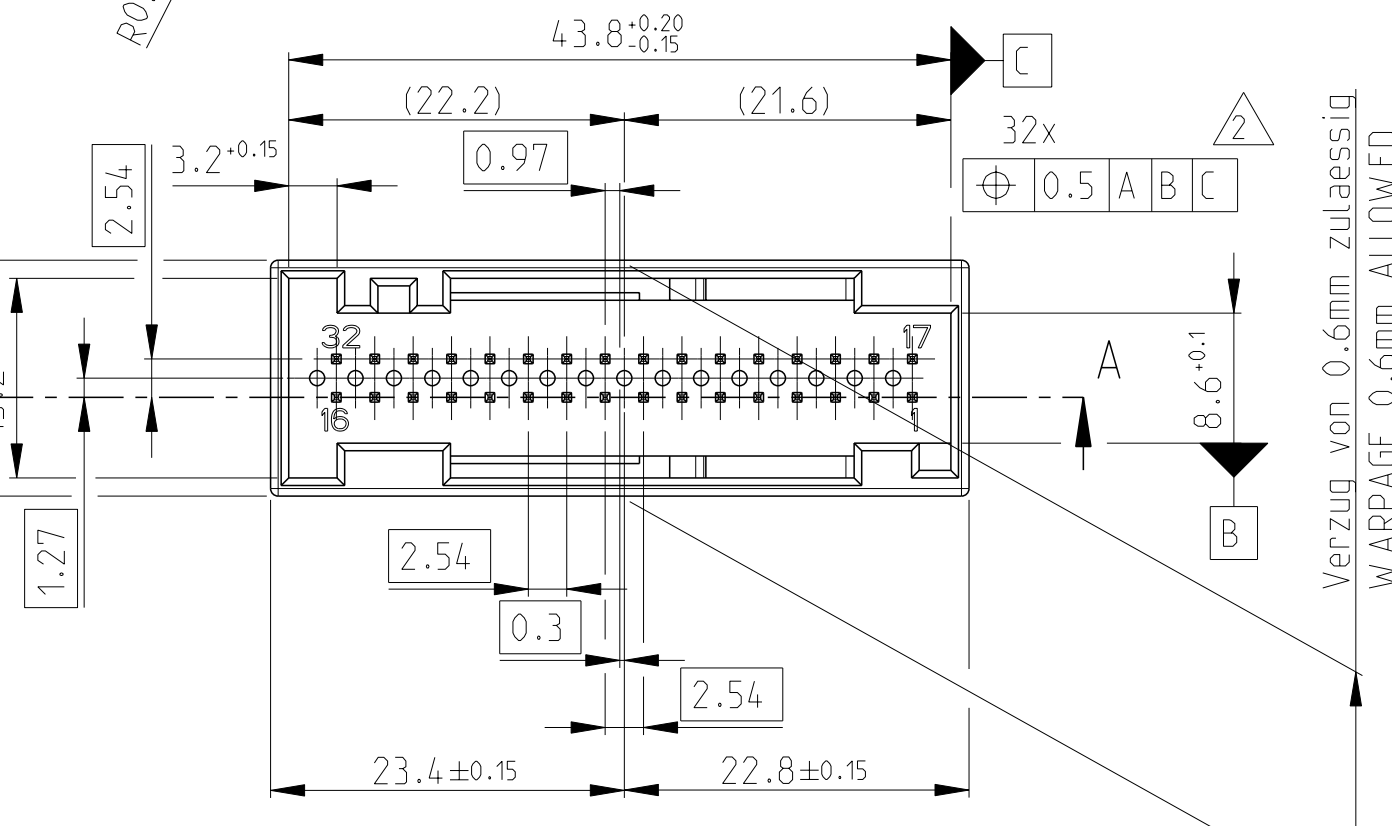
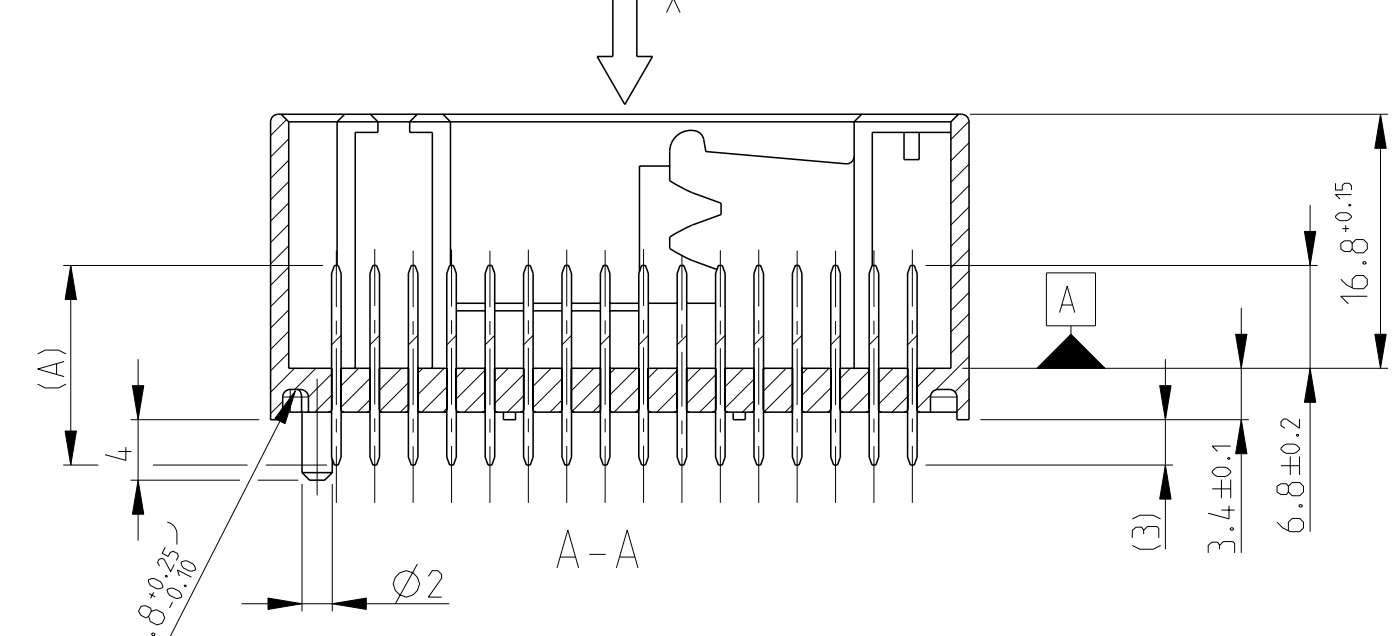
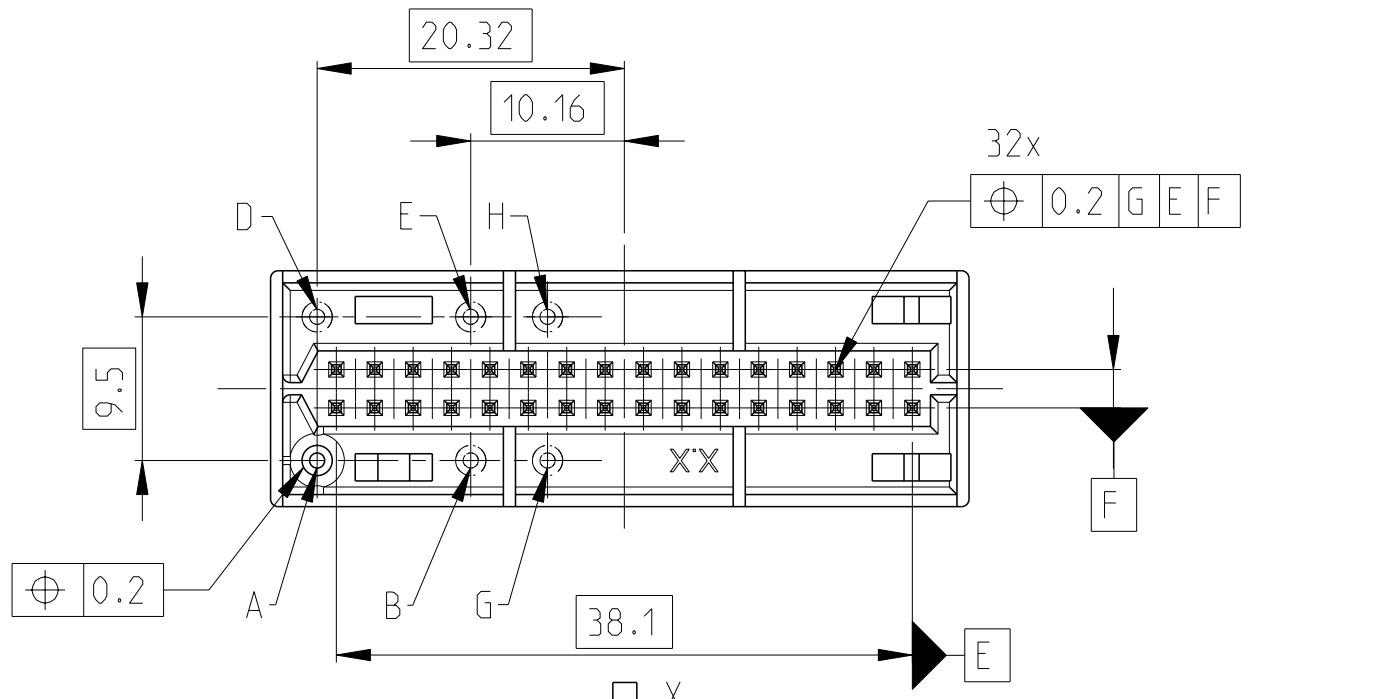


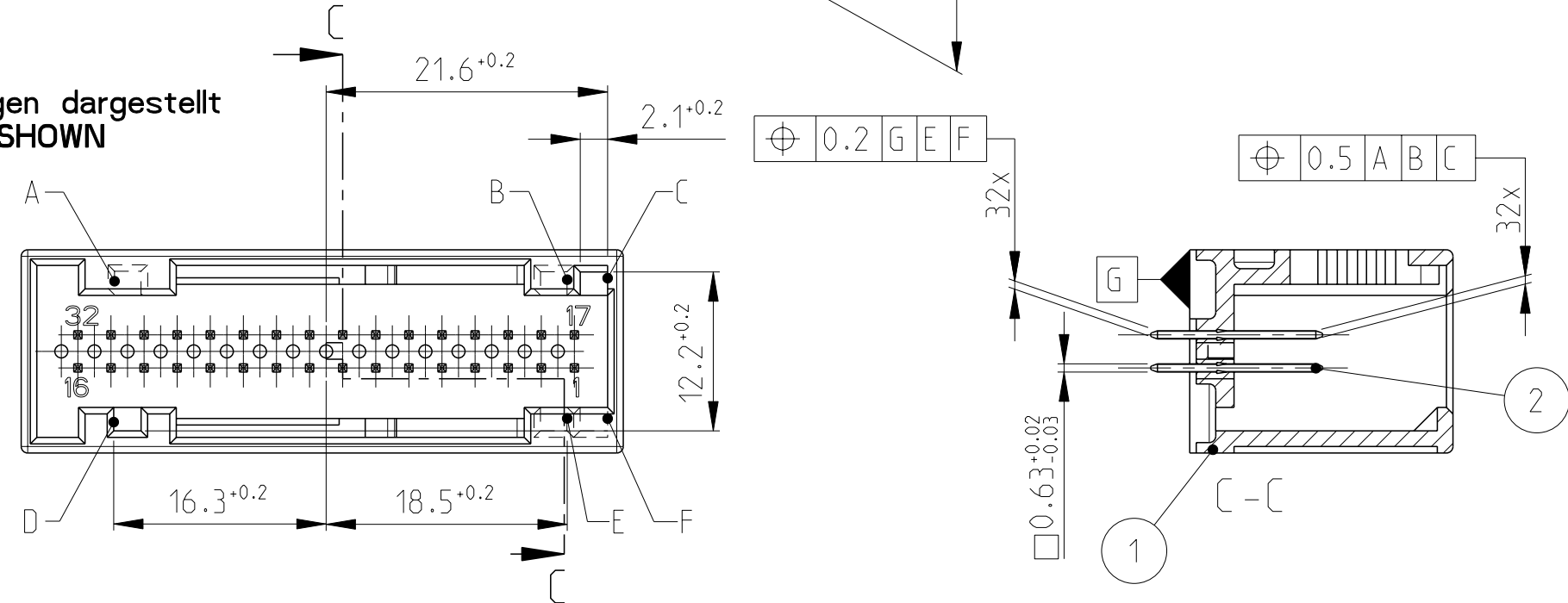
THIS DRAWING IS UNPUBLISHED. RELEASED FOR PUBLICATION 20
 © COPYRIGHT 20 ALL RIGHTS RESERVED.

LOC		DIST		REVISIONS			
P	LTR	DESCRIPTION	DATE	DWN	APVD		
A		NEW DRAWING	14MAR2011	Mah	Stre		
A1		PROD.-SPEC. 108-18692 ADDED	29JUN2020	MAH.	BECK		

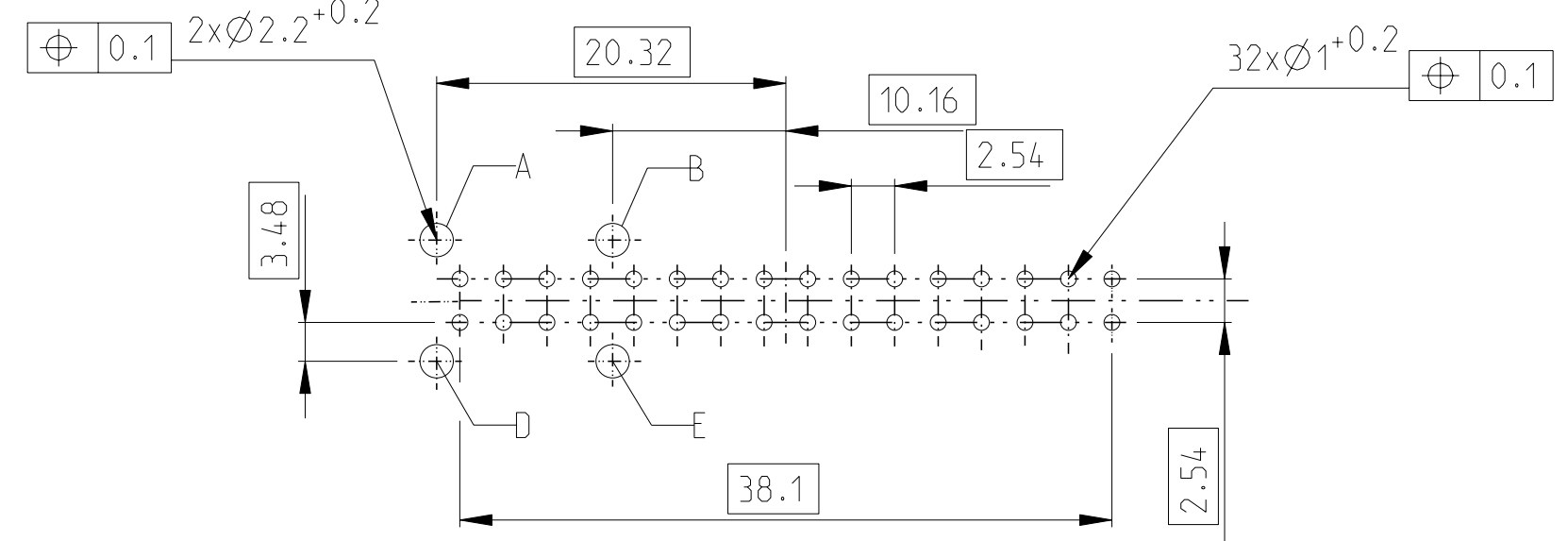


Verzug von 0.6mm zulässig
 WARPAGE 0.6mm ALLOWED

Ansicht X : alle Kodierungen dargestellt
 VIEW X : ALL CODINGS SHOWN



Empfohlenes Leiterplatten Bohrbild
 RECOMMENDED PCB HOLE DESIGN



Bemerkungen:
 NOTES:

- 1 Ausfuehrung der Leiterplattenkodierung und der Kodiernuten, siehe Tabelle
 THE LAYOUT OF THE PRINTED CIRCUIT BOARD CODING AND THE CODING SLOTS, SEE TABLE
- 2 Form- und Lagetoleranz; "Position" gilt nur fuer die entsprechenden Spitzen
 FORM- AND POSITION TOLERANCE; "POSITION" IS VALID ONLY FOR THE APPROPRIATED POINTS
- 3 Einwegverpackung; Produkttraeger in Karton
 ONE-WAY PACKAGING; PRODUCT CARRIER IN CARDBOX
- 4 Oberflaeche: 2.0µm - 4.0µm Sn ueber 1.27µm - 2.2µm Ni /galv. verzinkt, matt
 SURFACE: 2.0µm - 4.0µm Sn OVER 1.27µm - 2.2µm Ni/ELECTRO PLATED, DULL

CODING	MATING SIDE	PCB SIDE	PACKAGING	ONE-WAY	
				3	3
Rev. A	C-D	D	ONE-WAY	ONE-WAY	
Dim A (mm)	13.2	13.2			

Rev.	Dim A (mm)	MATING SIDE	PCB SIDE	PACKAGING	CODING	QTY	UNIT	BENENNUNG EINZELTEIL	Rev	WERKSTOFF	OTHERWISE SPECIFIED:	OTHERWISE SPECIFIED:
A	13.2	C-D	D	ONE-WAY	X	2	32	AMPMODU MODU II PIN□0.63	A	CuSn6	pre tinned	4
X	1	1	1	32POS PIN HOUSING	A	PBT-GF	blue 5012					
X	1	1	1	32POS PIN HOUSING	A	PBT-GF	green 6018					
-2	-1	POS	STUECK									

THIS DRAWING IS A CONTROLLED DOCUMENT.

DIMENSIONS: mm

TOLERANCES UNLESS OTHERWISE SPECIFIED:
 n. DIN 16901 -140

MATERIAL: -

FINISH: -

DWN: Mahnke, B. 07MAR2011
 CHK: Stredak, F. 14MAR2011
 APVD: Bleicher, M. 14MAR2011

PRODUCT SPEC: 108-18692

APPLICATION SPEC: -

WEIGHT: -

RESTRICTED CUSTOMER

SCALE: 5:1

SHEET 1 OF 1

REV A1

STE TE Connectivity

PIN HEADER, ASSY, 2X16 POS.
 Stiftleiste, Assy, 2x16 pol.

SIZE: A2 CAGE CODE: 00779 DRAWING NO: C-2141508