

LOC	DIST	REVISIONS					
—	—	P	LTR	DESCRIPTION	DATE	DWN	APVD
		A	-		-	-	-

SEE CUSTOMER  
DRAWING  
2141528


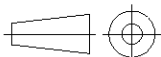
siehe  
Kundenzeichnung  
2141528

THIS DRAWING IS UNPUBLISHED.

ALL INTERNATIONAL RIGHTS RESERVED.

BY TYCO ELECTRONICS CORPORATION.

© COPYRIGHT

DIMENSIONS: mm	DWN	J.Kirschbaum	01OCT2010	MATERIAL	-	FINISH	-				
	CHK	M.Brunner	01OCT2010	 Tyco Electronics Corporation 73499 Woert/Germany							
TOLERANCES UNLESS OTHERWISE SPECIFIED:	APVD	M.Bleicher	01OCT2010								
0 PLC ± -	PRODUCT SPEC			NAME							
1 PLC ± -	-			Micro Quadlok System							
2 PLC ± -	APPLICATION SPEC			SOCKET CONTACT FOR MULTIPLE GROMMET							
3 PLC ± -	-			SIZE	CAGE CODE	DRAWING NO	RESTRICTED TO				
4 PLC ± -	-			A4	00779	C-2141399	-				
ANGLES ± -	WEIGHT			-							
				CUSTOMER DRAWING		SCALE	1:1	SHEET	1 OF 1	REV	A