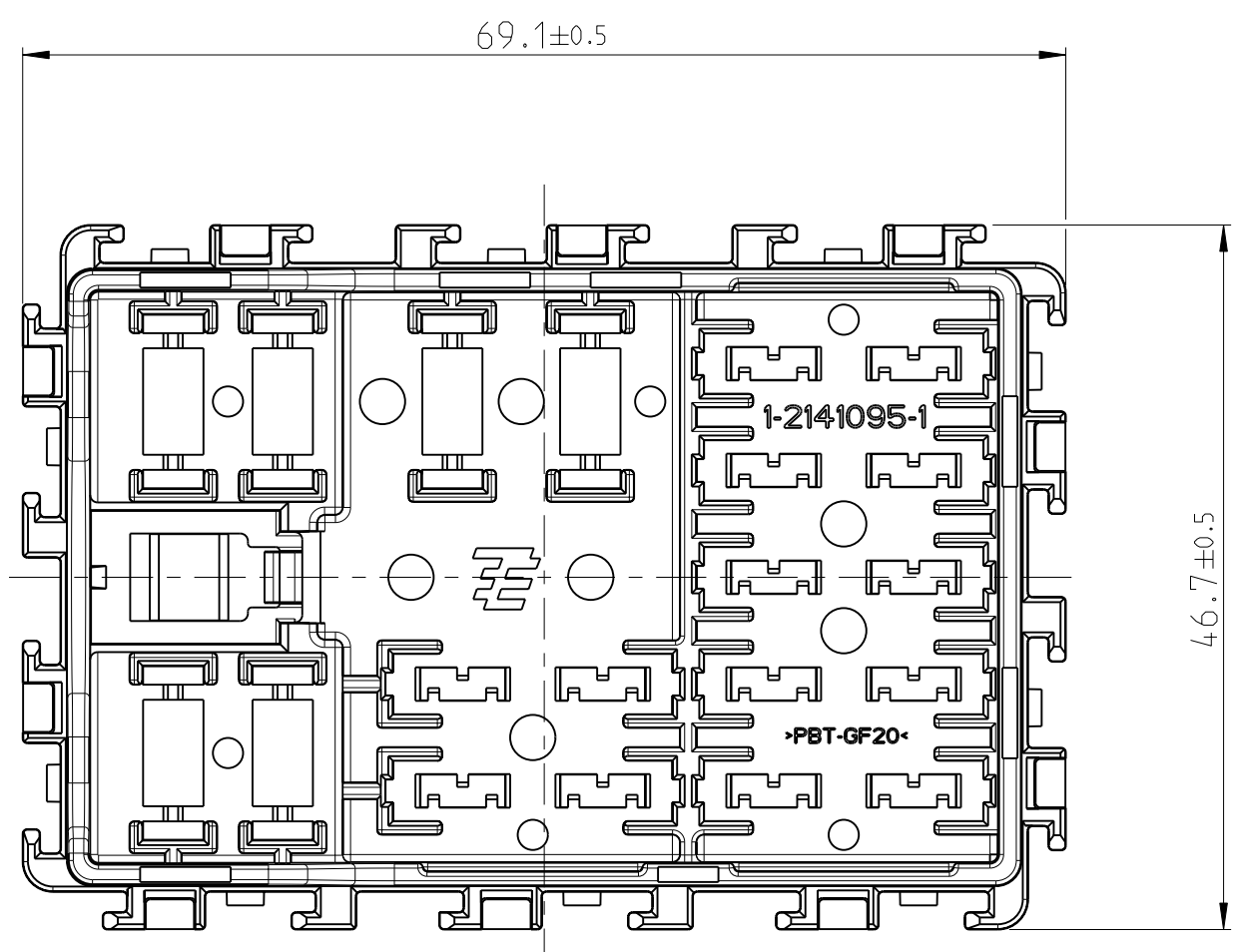
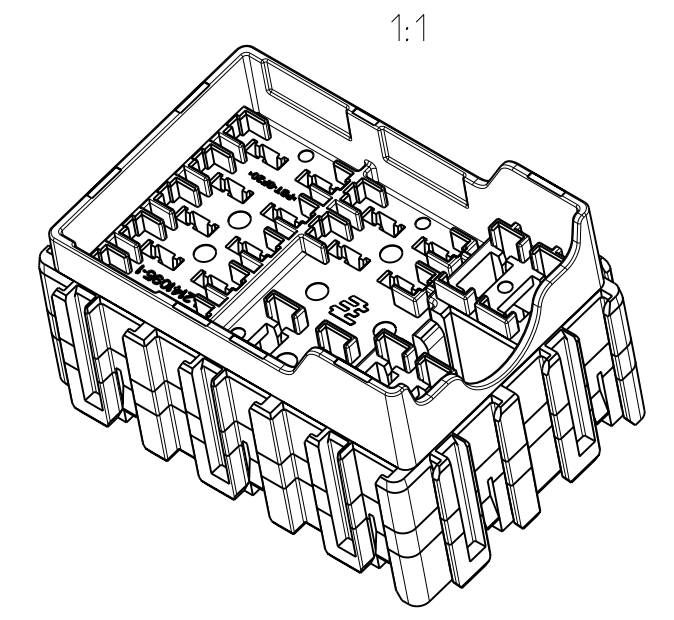
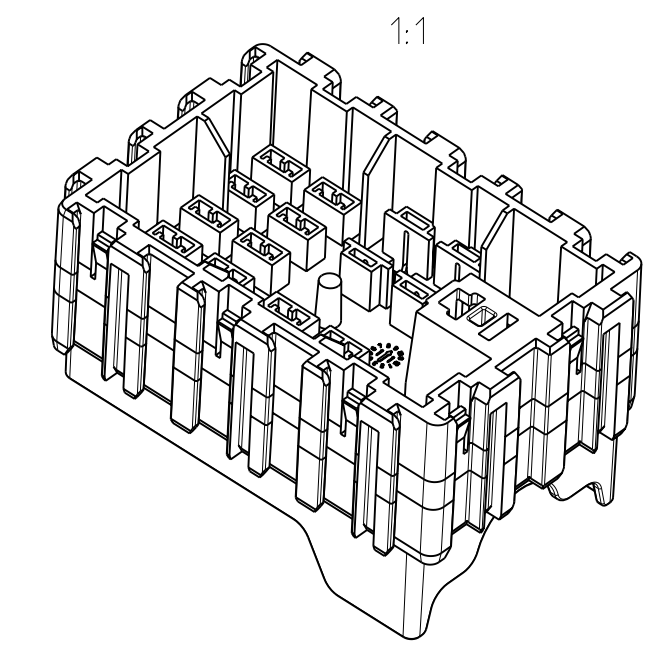
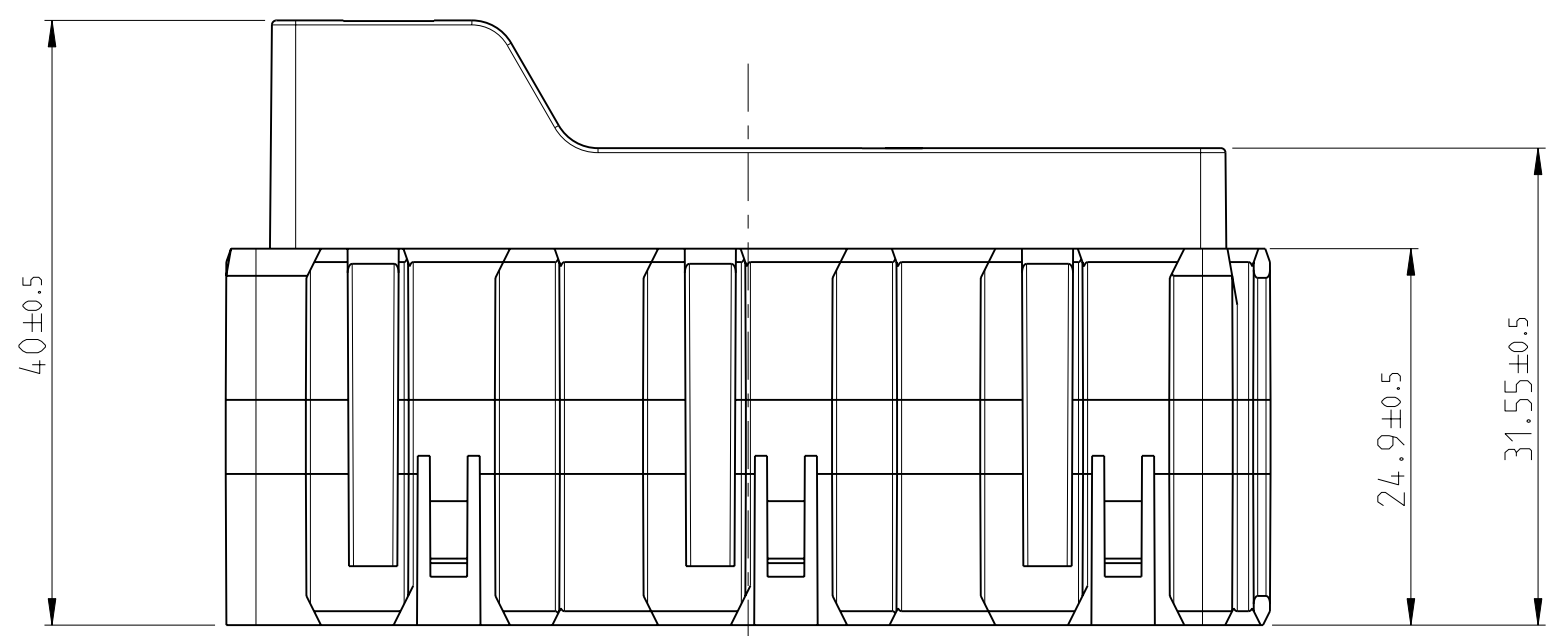


THIS DRAWING IS UNPUBLISHED  
 RELEASED FOR PUBLICATION 2009  
 ALL RIGHTS RESERVED.  
 © COPYRIGHT 2009

LOC		DIST		REVISIONS			
P	LTR	DESCRIPTION	DATE	DWN	APVD		
A		NEW DRAWING	21OCT2010	VA	MH		
B		RE-DRAWN - NO CHANGES	20JAN2011	GS	MH		



NOTES:

- SPARE FUSE MODULE WILL HOLD;  
 QTY 7 - ATO FUSES  
 QTY 6 - MINI FUSES  
 QTY 1 - FUSE PULLER, LITTLEFUSE PN.097021
- SPARE FUSE MODULE TO BE USED WITH THE TYCO ELECTRONICS MODULAR COMPONENTS;  
 0-2141040-1 JCASE MODULE ASSY  
 0-2141028-1 ATO FUSE MODULE  
 0-2141024-1 MINI RELAY MODULE ASSY

1-2141095-1	SPARE FUSE HOLDER HOUSING	PBT-GF20
PART NUMBER	DESCRIPTION	MATERIAL

THIS DRAWING IS A CONTROLLED DOCUMENT.		DWN Vishwa A 21OCT2010	<b>STE</b> TE Connectivity	
		CHK Mike Harris 21OCT2010		
DIMENSIONS: mm		APVD -	NAME SPARE FUSE MODULE	
TOLERANCES UNLESS OTHERWISE SPECIFIED:		PRODUCT SPEC -	SIZE CAGE CODE DRAWING NO RESTRICTED TO	
0 PLC ±		APPLICATION SPEC -	A2 00779 C-2141095	
1 PLC ±		WEIGHT -	SCALE 2:1 SHEET 1 OF 1 REV B	
2 PLC ±		CUSTOMER DRAWING		
3 PLC ±				
4 PLC ±				
ANGLES ±°				
FINISH				
MATERIAL SEE TABLE				