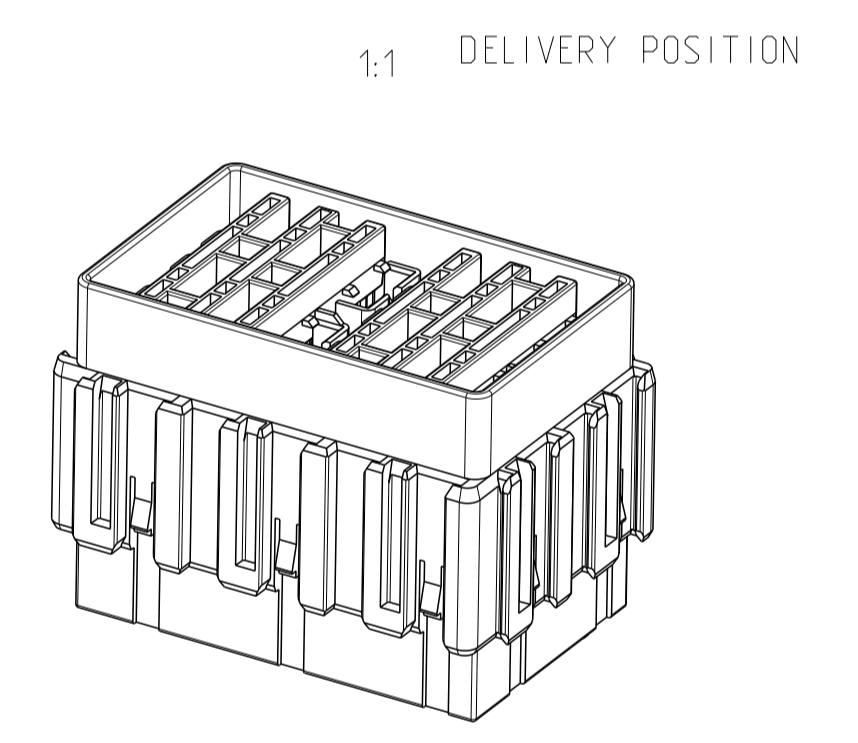
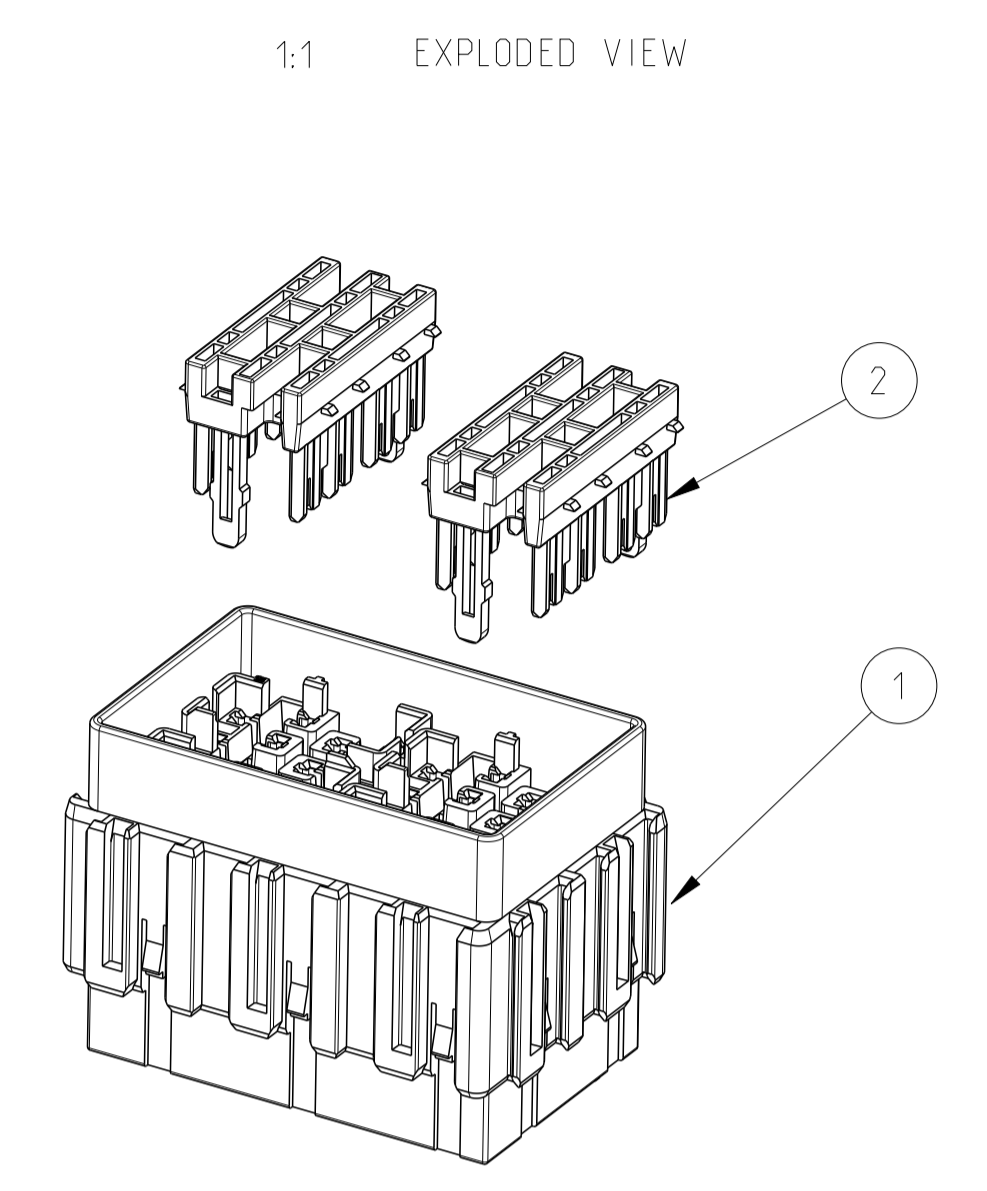
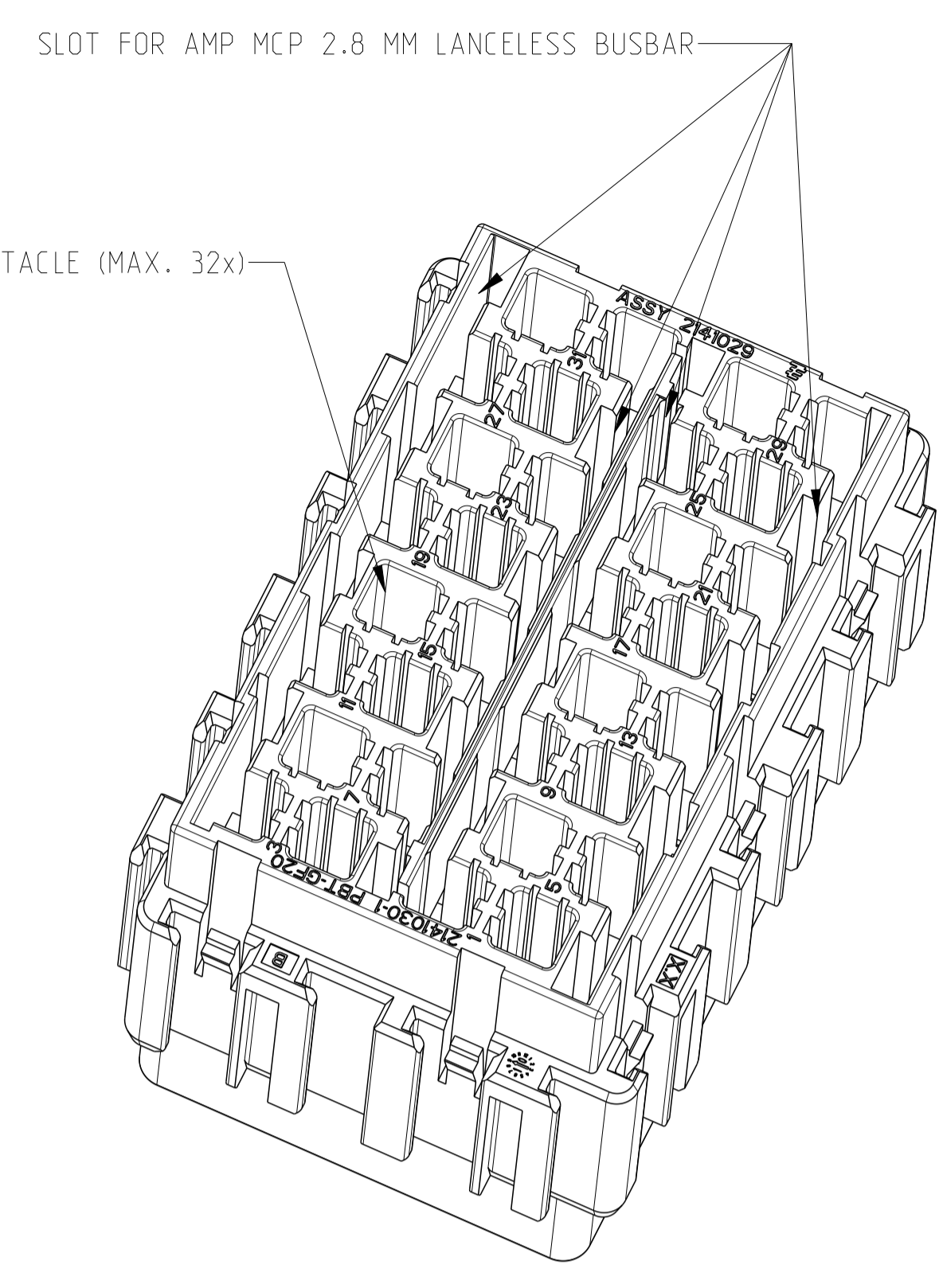
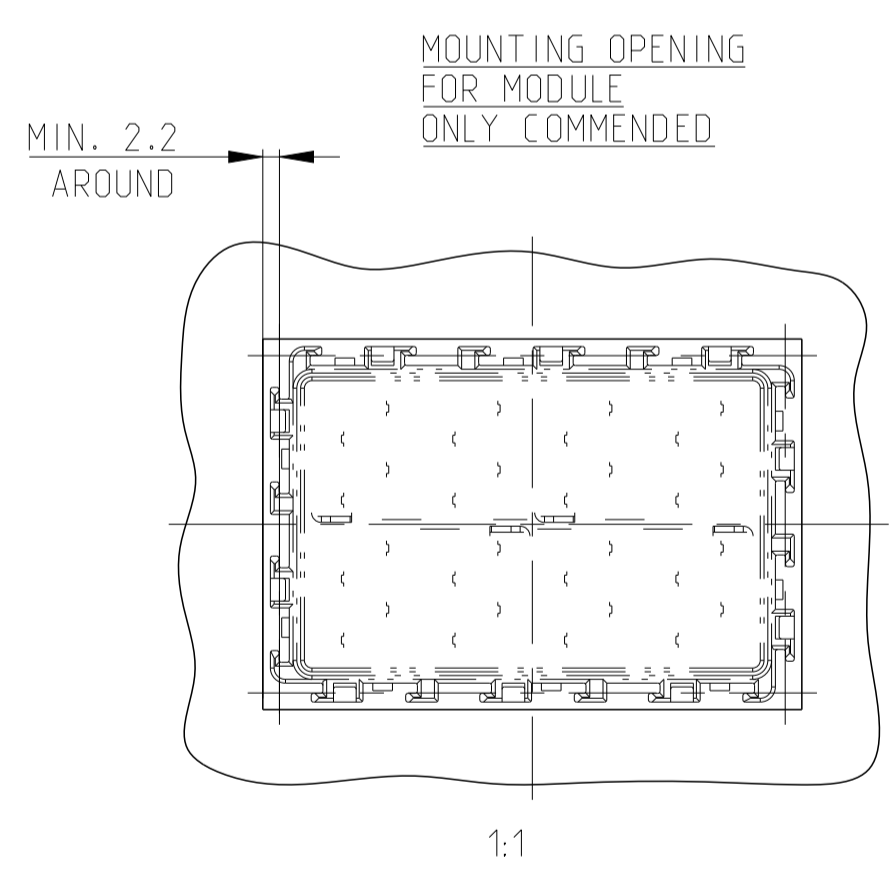
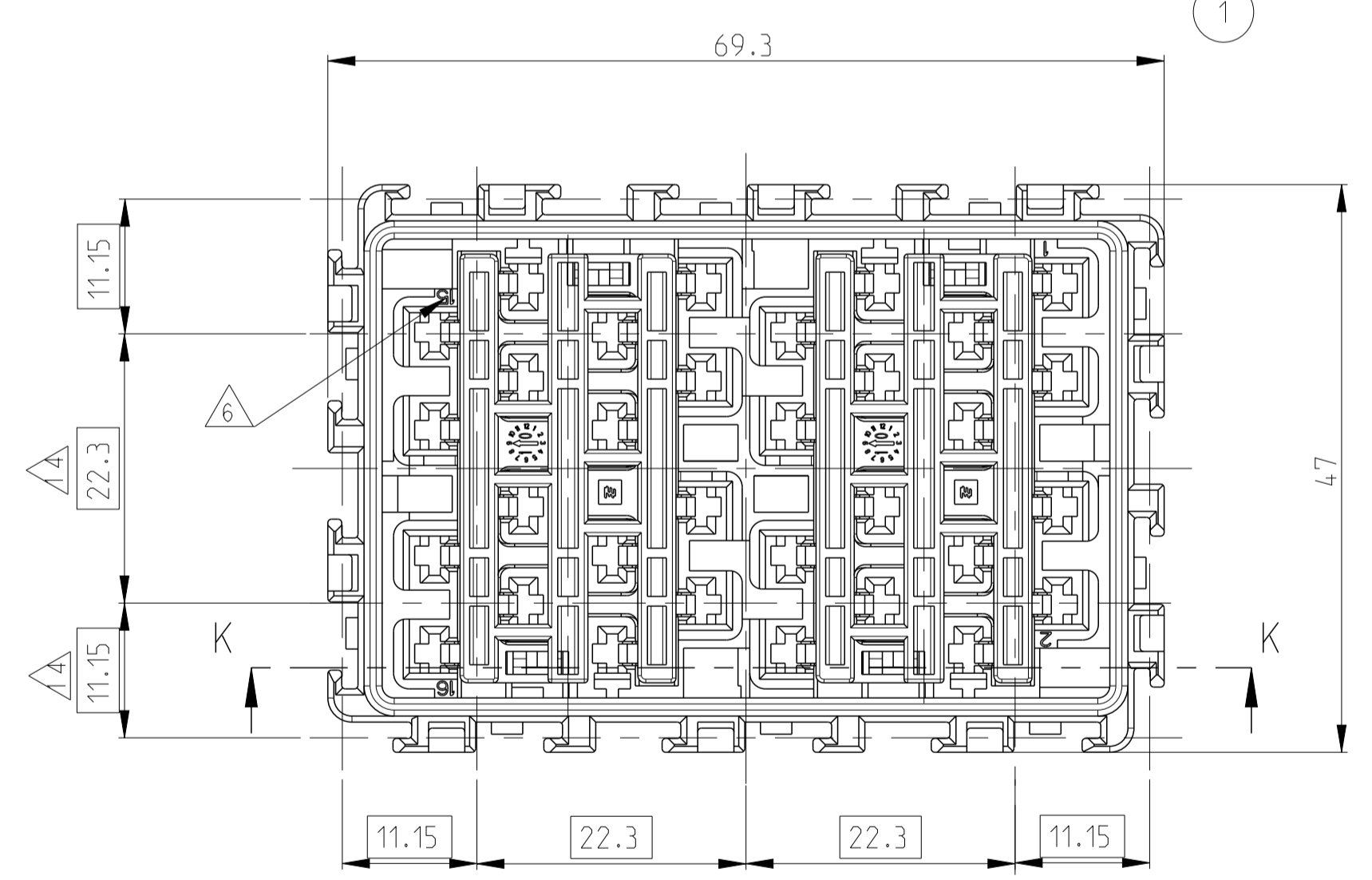
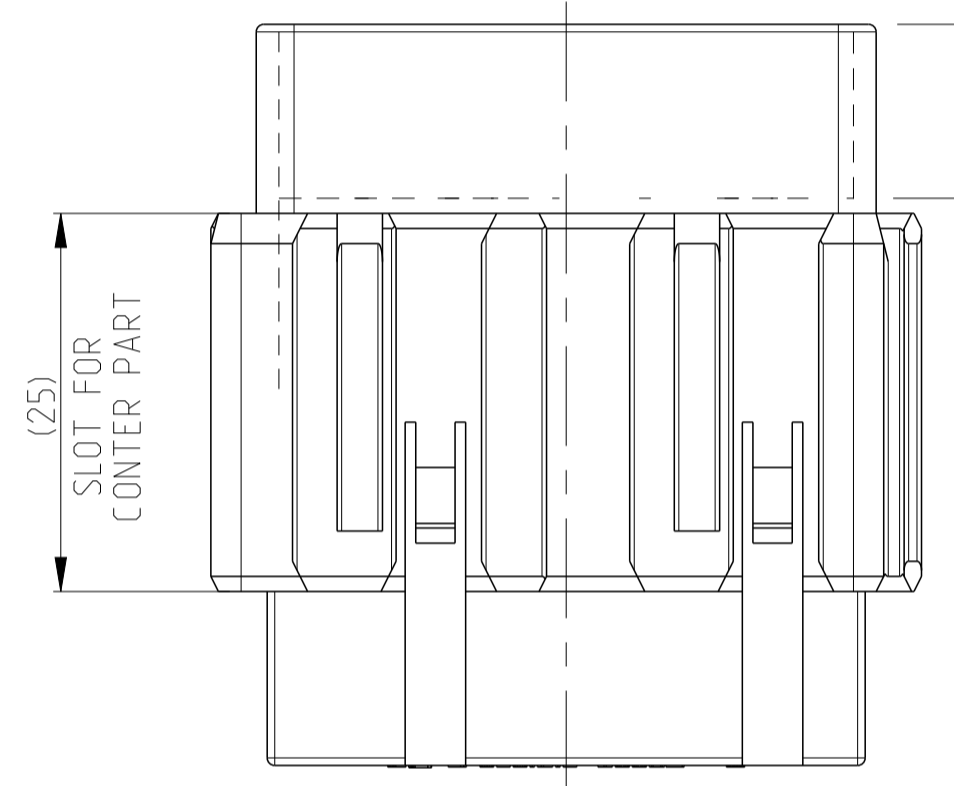
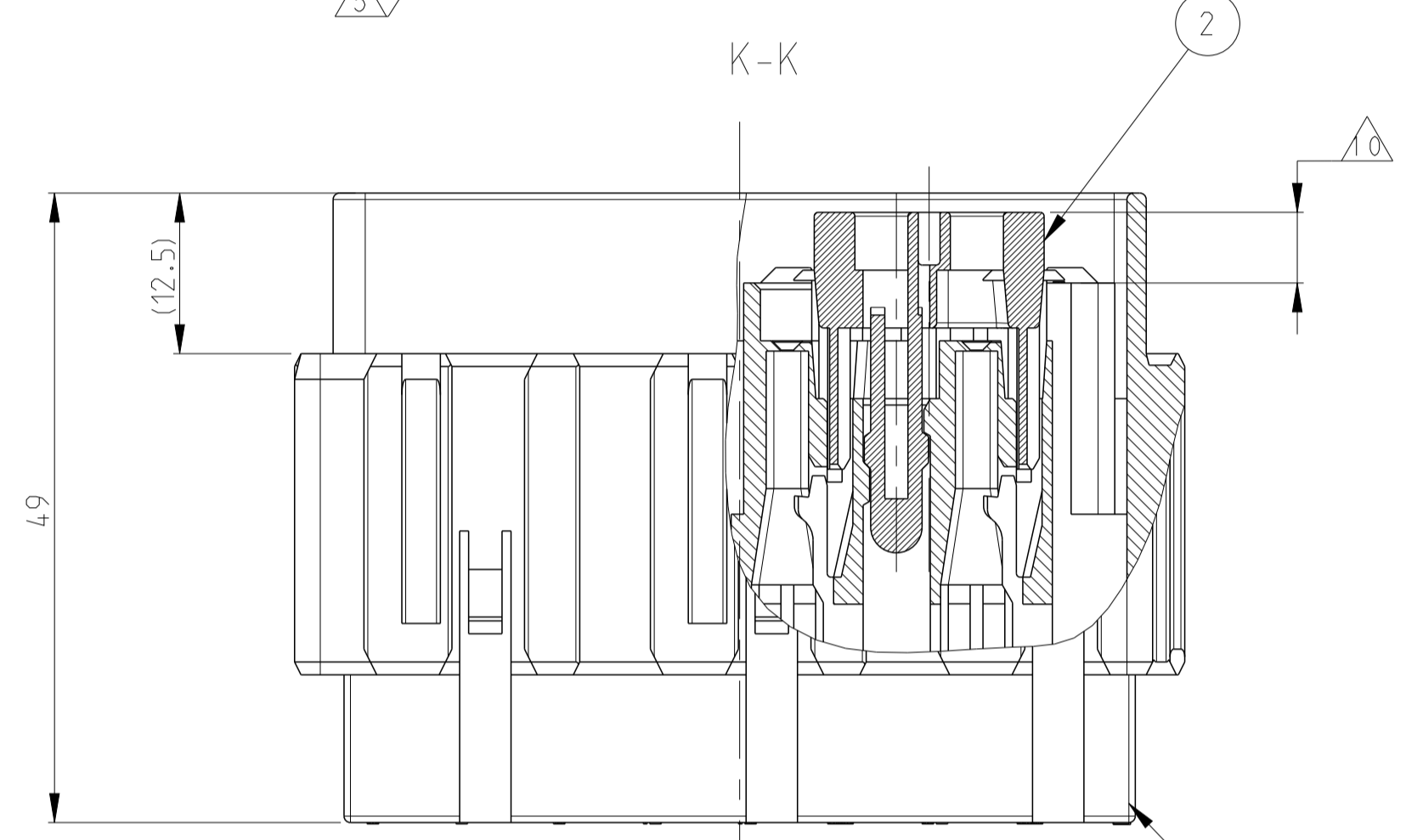
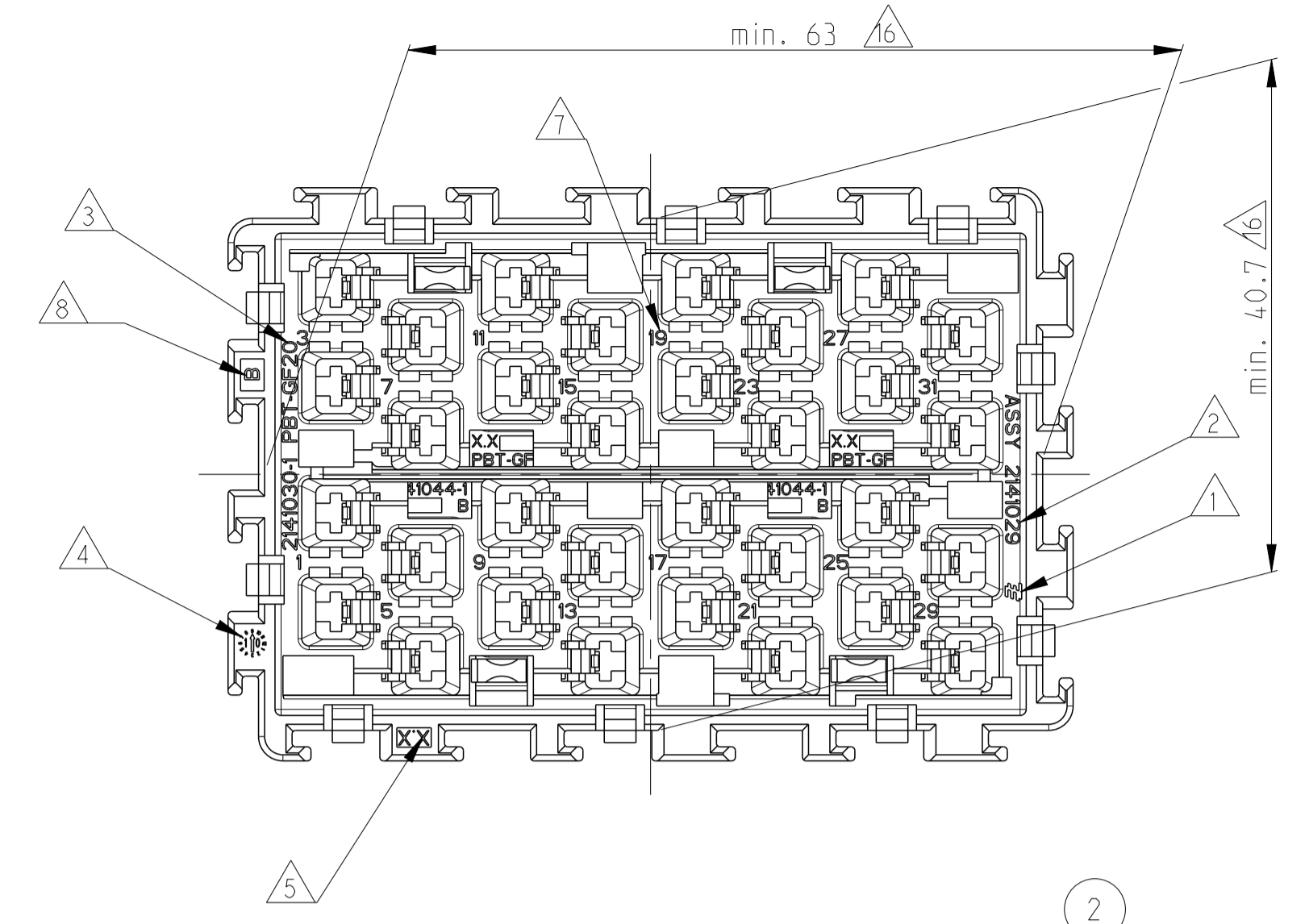


LOC	DIST	REVISIONS					
		P	LTN	DESCRIPTION	DATE	DMN	APVD
A1	-	A		NEW DRAWING	23MAR2012	Neu.	-
		A1		E-1B-004261	20MAR2016	MS	RH



NOTES

- 1 TE LOGO
- 2 TE ORDER NUMBER
- 3 MATERIAL MARKING
- 4 PRODUCTION DATE
- 5 TOOL CAVITY MARKING
- 6 SLOT MARKING
- 7 CAVITY MARKING
- 8 REVISION NUMBER
- 9 PACKAGING: LAYERS IN CARD BOARD BOX
- 10 SPACER FOR ALL FUSES IN PRE LATCHED POSITION
- 11 PARTS ARE TO BE FREE OF SCRATCHES DISCOLORATION, SALT RESIDUE OR OTHER IMPERFECTIONS THAT MAY AFFECT FUNCTION OR FIT OF PART
- 12 -
- 13 OVER VIEW PRODUCT GROUP SEE : 114-94092
- 14 SYSTEM PITCH DIMENSION'S FOR MULTIPLE PLUG IN SYSTEM
- 15 PLEASE NOTE: MAX. CURRENT CARRYING CAPACITY OF MODULE : 108-94263
- 16 CONCAVE: ADDITIONAL TO PERMISSIBLE DIMENSION TOLERANCE REGULAR COLAPS EACH SIDE 0.6

TE ORDER NO	TE ORDER NO	SUPPLIER	WIRE RANGE	MATERIAL	FINISH
STRIP FORM	LOSE PIECE	-	MM ²	-	-
1-1355880-1			2.5-4.0 MM ²	CuNiSi	PRE TIN PLATED
1-1355877-1			1.5-2.5 MM ²	CuNiSi	PRE TIN PLATED
1-1355833-1			0.5-1.0 MM ²	CuNiSi	PRE TIN PLATED
1-1355876-1			0.2-0.5 MM ²	CuNiSi	PRE TIN PLATED

RECOMMENDED TERMINAL SYSTEM: AMP MCP 2.8 FLAT TYPE RECEPTACLE

TE ORDER NO	TE ORDER NO	SUPPLIER	WIRE RANGE	MATERIAL	FINISH
STRIP FORM	LOSE PIECE	-	MM ²	-	-
1-1355844-1			4.0-6.0 MM ²	CuNiSi	PRE TIN PLATED
1-1355847-1			0.5-1.0 MM ²	CuNiSi	PRE TIN PLATED

RECOMMENDED TERMINAL SYSTEM: AMP MCP 2.8 MM LANCELESS BUSBAR

USED WITH:	13
ALLOCATED FOR: MINIATURE FUSE 30A MAX.	15
NOMINAL VOLTAGE SYSTEM:	12V
TEMPERATURE CLASS:	-40 TO 85 °C
VIBRATION CLASS:	G3
SEALED CLASS:	0
ONLY BASIC DATA FOR DETAIL SEE PRODUCT SPEC	

TE ASSY NO.	REV	WEIGHT [g]	POS.	QTY.	DESCRIPTION	MATERIAL	COLOR SURFACE	ITEM NO.
2141029-1	B	84.83	2	2x	SPACER	PBT-GF20	GREY	2
			1	1x	HOUSING	PBT-GF20	BLACK	1

THIS DRAWING IS A CONTROLLED DOCUMENT.

DIMENSIONS:	TOLERANCES UNLESS OTHERWISE SPECIFIED:	DMN	13SEP2010
mm	0 PLC ±0.5	CH4	13SEP2010
	1 PLC ±0.5	R.	HECKER
	2 PLC ±0.5	APVD	13SEP2010
	3 PLC ±0.5	GT.	MUMMER
	4 PLC ±0.5	PRODUCT SPEC	
	ANGLES ±0.2°	APPLICATION SPEC	
MATERIAL	FINISH	114-94090	
SEE TABLE	SEE TABLE	114-94090	
		WEIGHT	SEE TABLE
		114-94090	

NAME: MINIATURE FUSE MODULE
 16POS ASSY
 SIZE: CAGE CODE DRAWING NO
 RESTRICTED TO: A1 00779 ©=2141029
 CUSTOMER DRAWING SCALE: 5:1 SHEET 1 OF 1 REV A1