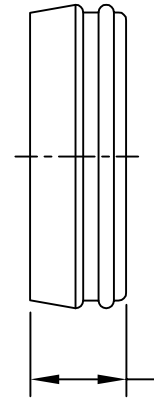
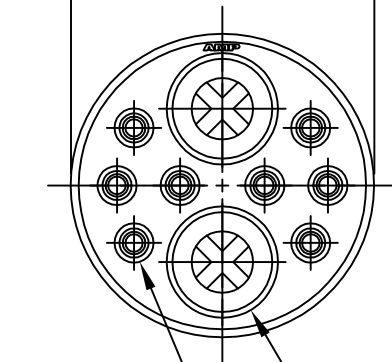


REVISIONS

P	LTR	DESCRIPTION	DATE	DWN	APVD
	C1	REVISED PER ECO-09-020689	27AUG09	KK	AEG
	D	REVISED PER ECO-18-000963	22JAN2018	RS	MZ

∅20.07±0.25
[∅.790±.010]



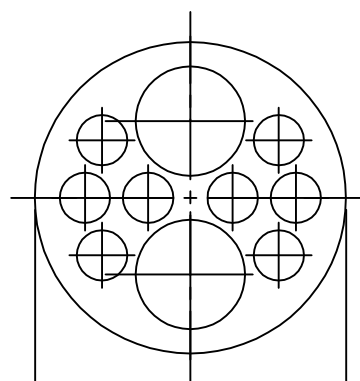
∅6.35±0.25
[∅.250±.010]

ACCEPTS WIRE
INSULATION: ∅A
2 HOLES

ACCEPTS WIRE
INSULATION: ∅1.90[.075] TO ∅2.54[.100]
8 HOLES

SEAL
MATERIAL: SILICON, RED IRON OXIDE
QTY=1

1.90
[.075]



∅20.57
[∅.810]

PRESSURE PLATE
MATERIAL: NYLON, BLACK
QTY=1



OBSOLETE PARTS: OBSOLETE CIS STREAMLINING PER
D.RENAUD/D.SINISI



OBSOLETE	INDIVIDUAL	2.41-5.21 [.095-.205]	213900-5
OBSOLETE	-	-	213900-4
OBSOLETE	-	-	213900-3
	BULK	3.81-6.73 [.150-.265]	213900-2
	INDIVIDUAL	3.81-6.73 [.150-.265]	213900-1
	PACKAGING	A	PART NUMBER

THIS DRAWING IS A CONTROLLED DOCUMENT.

DWN
D.HARDY 07/12/95

CHK
R.STONE 07/13/95

APVD
A.FRANTUM 07/13/95

PRODUCT SPEC

108-1579

APPLICATION SPEC

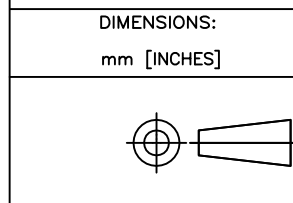
WEIGHT

CUSTOMER DRAWING

STE TE Connectivity Ltd.

NAME
SEAL ASSEMBLY KIT,
SERIES 6, 17-10, CPC

SIZE	CAGE CODE	DRAWING NO	RESTRICTED TO
A3	00779	C=213900	-



MATERIAL
SEE CALLOUTS

FINISH
-

SCALE 2:1 SHEET 1 OF 1 REV D