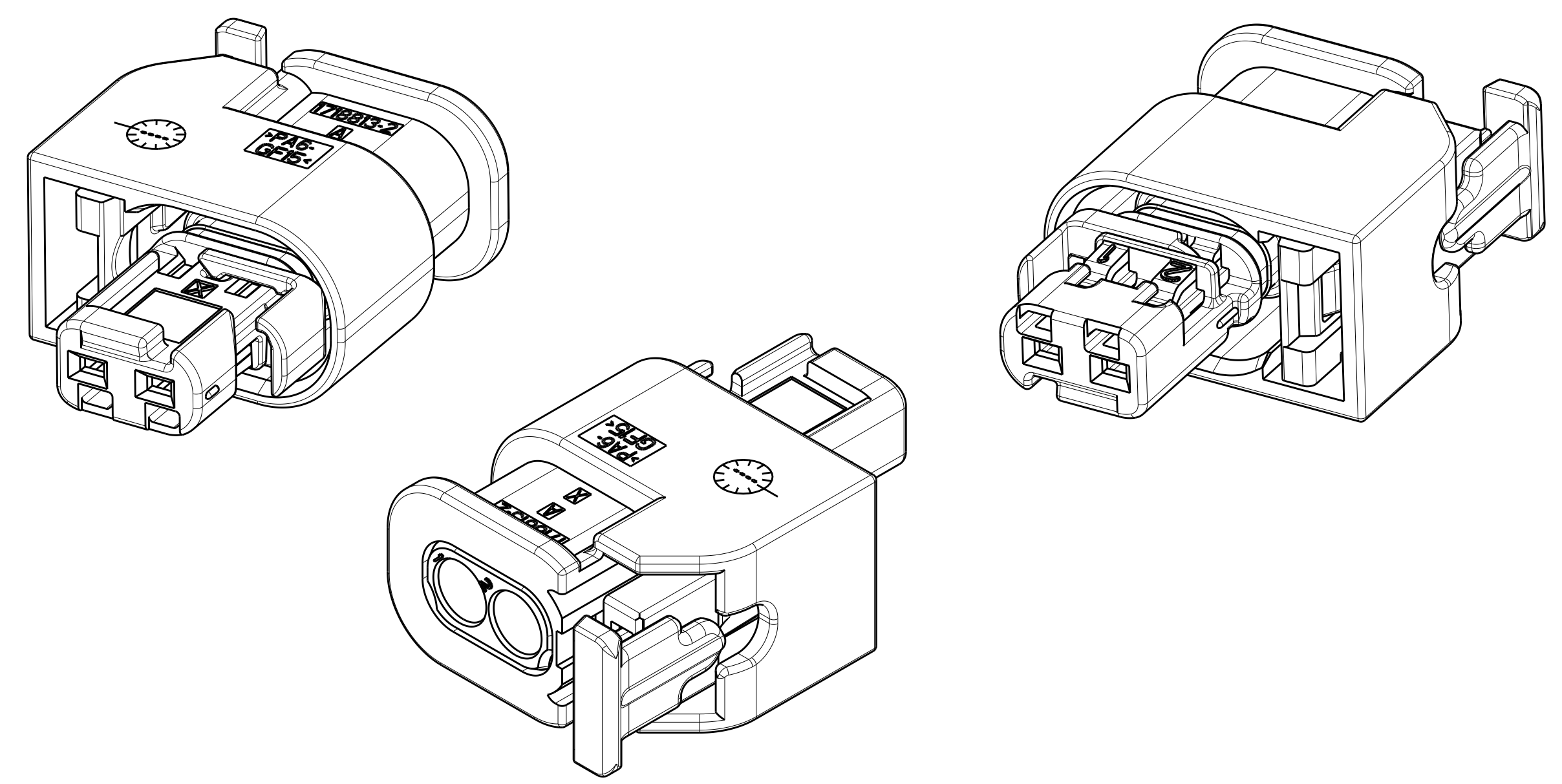
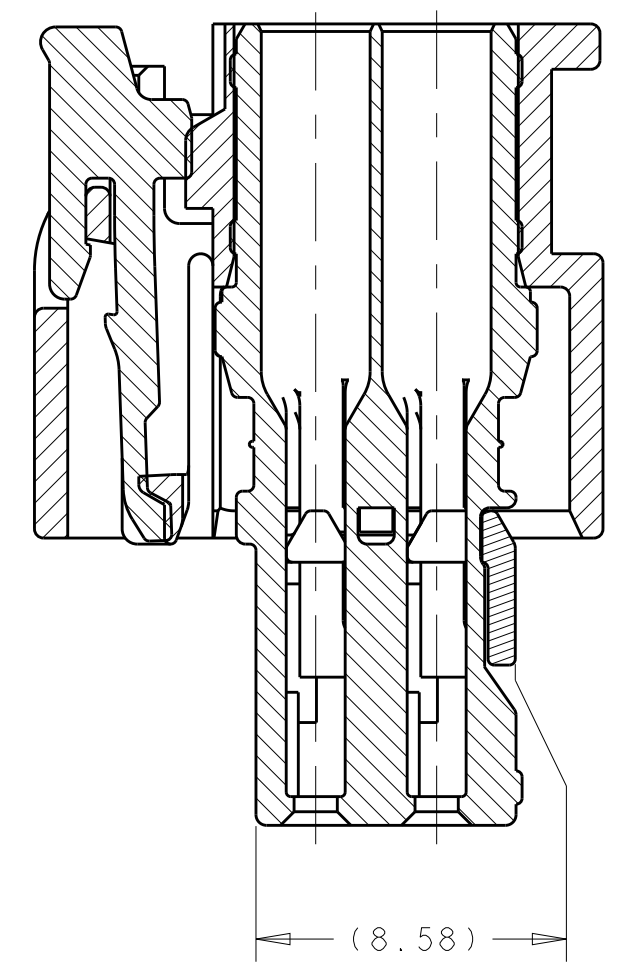
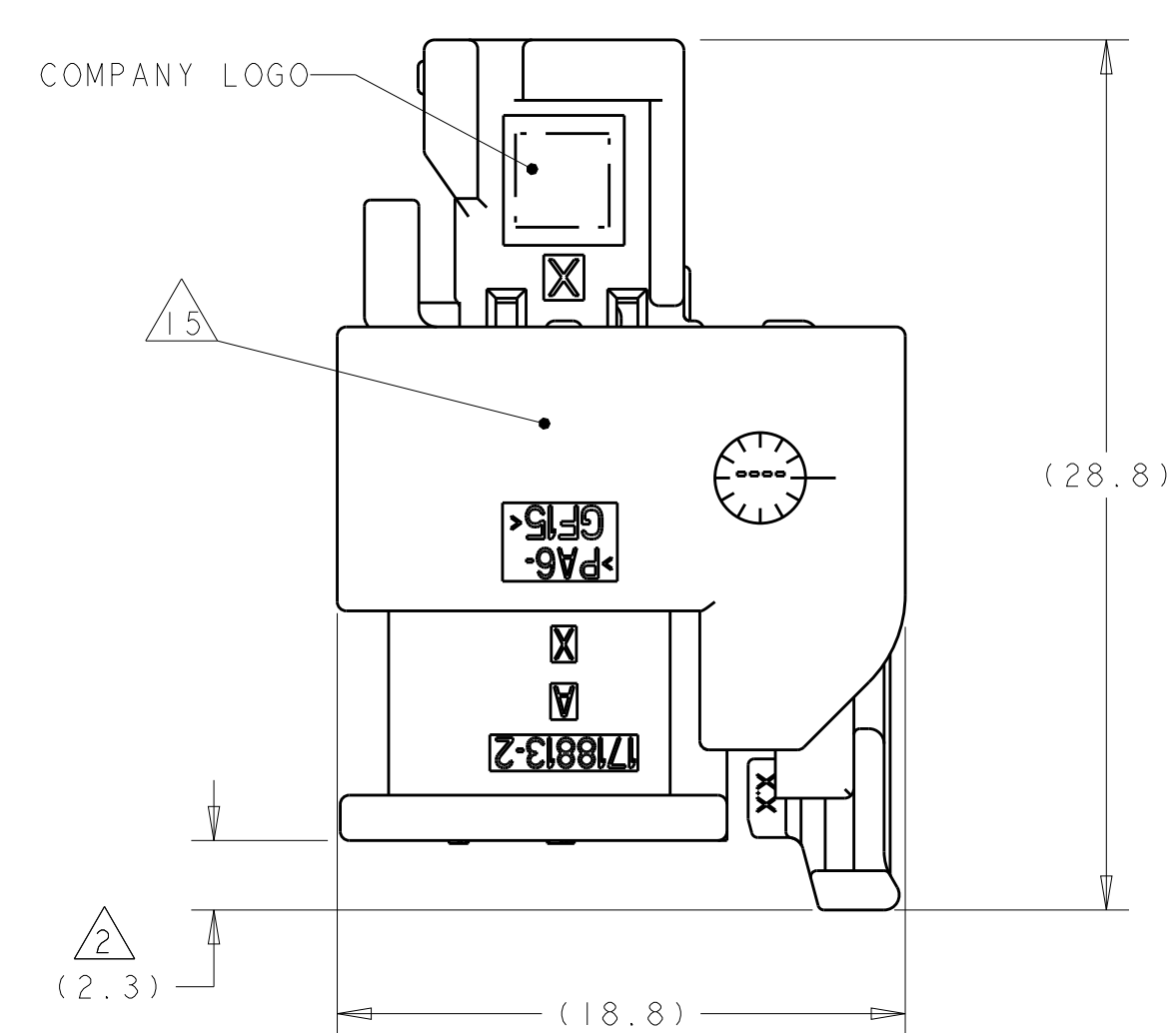


REVISIONS				
P.	LTN	DESCRIPTION	DATE	OWN APVD
A		RELEASED PER ECO-13-016155	25OCT2013	DD MB

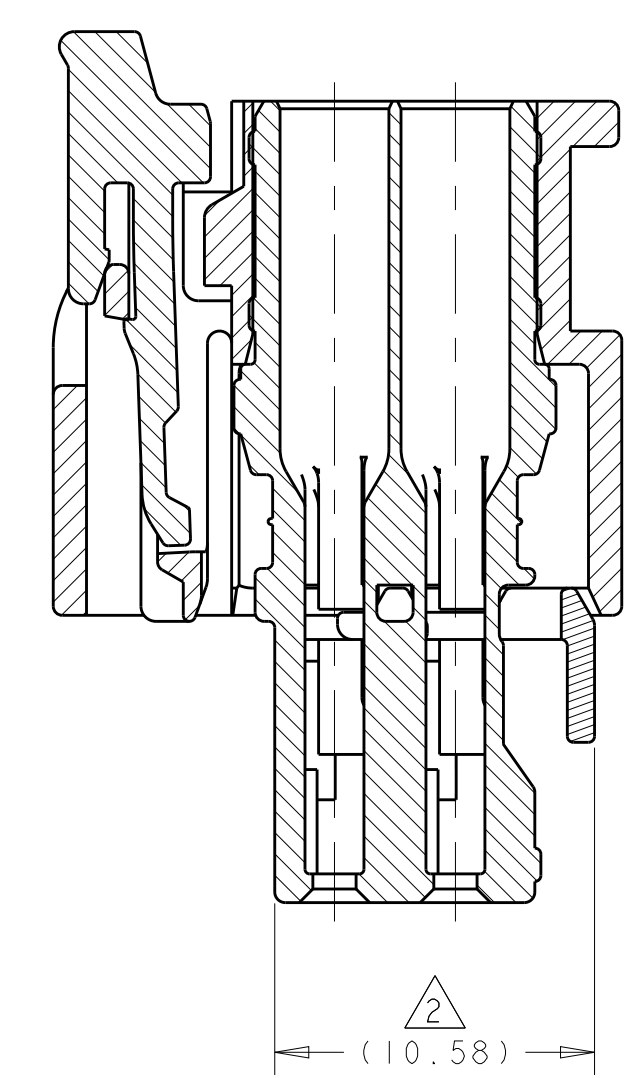


ISOMETRIC VIEWS
2138873-4

1. PART NUMBER 2138873-4 SHOWN ON DRAWING.
2. TPA AND CPA (OPTIONAL) ARE SHIPPED IN THEIR PRE-LATCHED POSITIONS. SEE INSTRUCTION SHEET 408-8968 FOR DIRECTIONS ON MOVING THE CPA AND TPA TO THE PRE-LATCHED POSITION, IF NECESSARY.
3. TERMINALS SOLD SEPARATELY. FOR USE WITH TE MCON 1.2mm CLEAN BODY CONTACT WITH WIRE SEAL. SEE TE MCON 1.2-CB (CLEAN BODY) APPLICATION SPEC 114-18464 FOR CRIMP DETAILS.
4. APPLICABLE HEADER INTERFACE DRAWING 114-18679-1 IS AVAILABLE UPON REQUEST. A COPY OF THIS DRAWING CAN BE OBTAINED FROM THE TE CONNECTIVITY (TE) PRODUCT MANAGER, VIA YOUR TE SALES REPRESENTATIVE OR CUSTOMER SERVICE.
5. MINIMUM FEED THROUGH CONDITION WITH 1.0mm CLEARANCE ALL AROUND.
6. CONNECTOR APPLICATION ENVIRONMENT IS SUBMERSION IN ATF-212-B. FOR REQUIRED MECHANICAL STABILITY AND FLUID COMPATIBILITY, INDIVIDUAL WIRE SEALS PRODUCED FROM ETHYLENE / ACRYLIC (AEM) BASE MATERIAL ARE REQUIRED PER TERMINAL P/N TABLE.
7. TPA ENGAGE FORCE: PRESET TO FULL WITH TERMINALS INSTALLED ≥ 2 N AND ≤ 60 N.
8. TPA DISENGAGE FORCE: DISENGAGE FROM FULL TO PRESET ≥ 2 N AND ≤ 60 N.
9. CPA ENGAGE FORCE: PRESET TO FULL WITHOUT CONNECTORS MATED ≥ 40 N.
10. CPA ENGAGE FORCE: PRESET TO FULL WITH CONNECTORS MATED < 30 N.
11. POLARIZATION FEATURE EFFECTIVENESS:
CONNECTOR MATED TURNED 180° NO MATING > 125 N.
WRONG KEYING NO MATING > 125 N.
12. NOTE DELETED
13. SEE INSTRUCTION SHEET 408-8928.
14. WHEN UN-MATING CONNECTOR WITH CPA, PULL PLUG WHILE ROTATING CONNECTOR AWAY FROM HEADER LOCK POINT WITH LATCH DEFLECTED
15. TRACEABILITY INFORMATION PRINTED IN THIS LOCATION AT ASSEMBLY.
16. VALIDATED UP TO GMW3191 TEMPERATURE CLASS 3, TRANSMISSION.

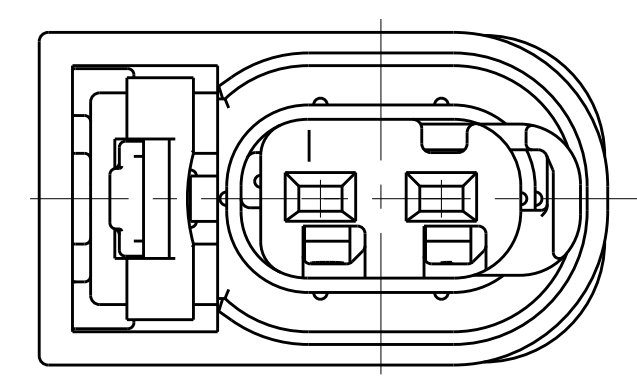


SECTION A-A
SHOWN WITH TPA & CPA
IN IT'S LATCHED POSITION
FOR REFERENCE ONLY

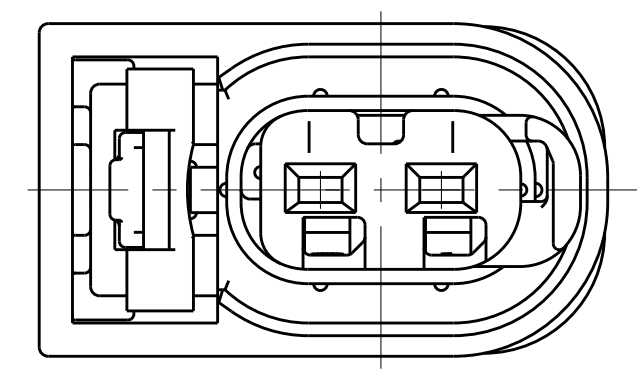


SECTION A-A

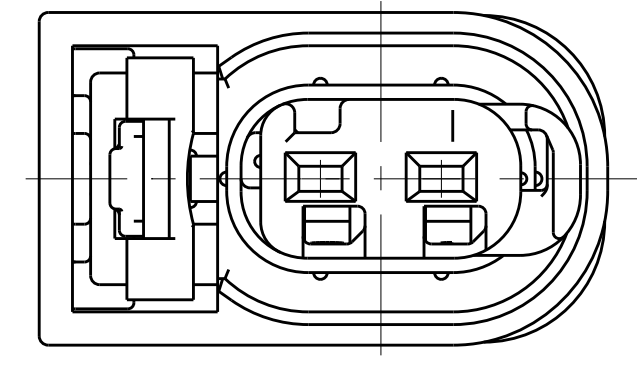
KEYING CONFIGURATIONS



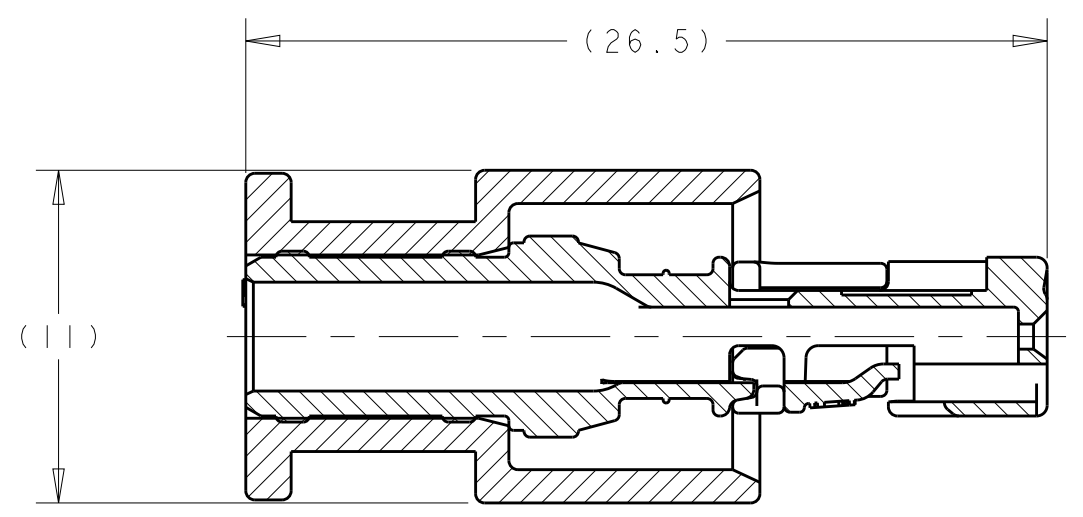
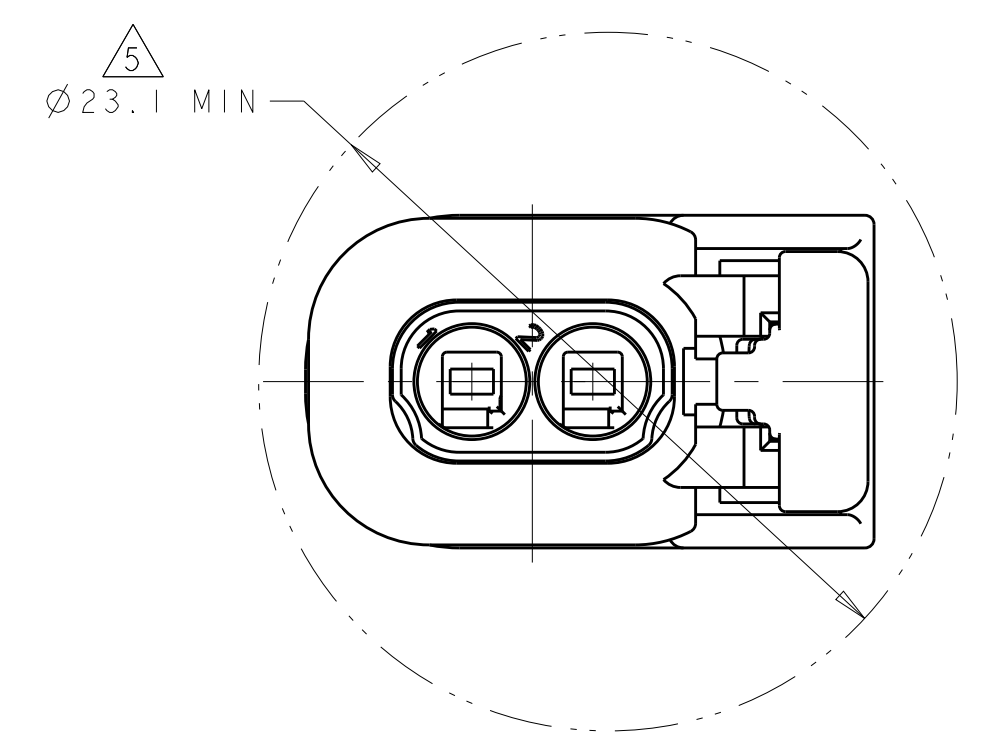
KEYING OPTION A



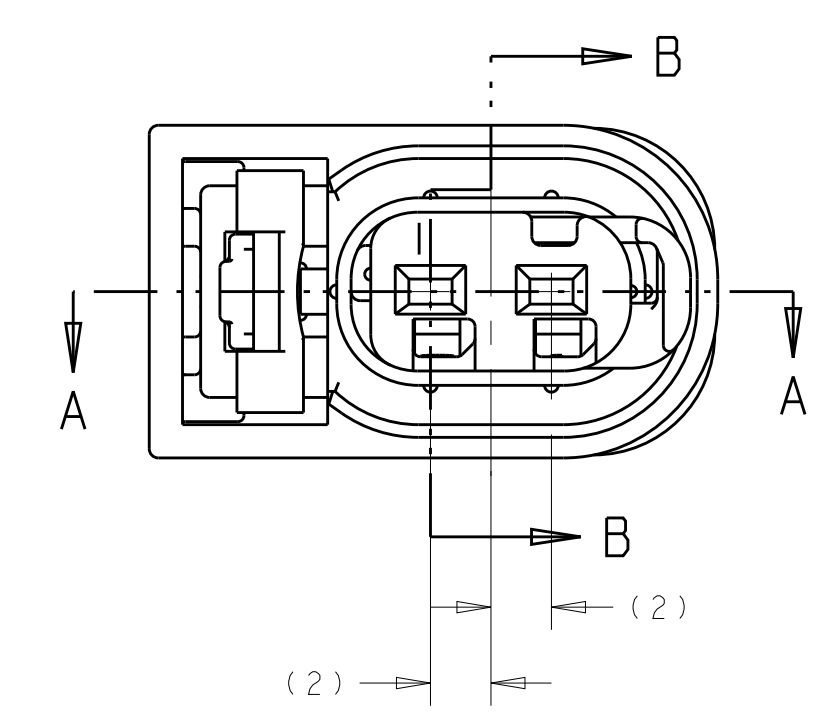
KEYING OPTION B



KEYING OPTION C



SECTION B-B



TE MCON 1.2-CB (CLEAN BODY)		
1670146-3		
1670146-2	(0.5-0.75)	2138898-1
1670146-1		
PART NUMBER	METRIC WIRE SIZE	APPLICABLE WIRE SEAL

RELEASED	INNER HOUSING COLOR	CPA	KEYING CONFIGURATION	PART NUMBER
RELEASED	BROWN	YES	C	2138873-6
RELEASED	BROWN	YES	B	2138873-5
RELEASED	BROWN	YES	A	2138873-4
RELEASED	BROWN	NO	C	2138873-3
RELEASED	BROWN	NO	B	2138873-2
RELEASED	BROWN	NO	A	2138873-1

THIS DRAWING IS A CONTROLLED DOCUMENT.

DIMENSIONS:	TOLERANCES UNLESS OTHERWISE SPECIFIED:	OWN: M. HITCHCOCK 07JUN2012	CHK: M. D. BROWN 07JUN2012	APVD: M. D. BROWN 07JUN2012
mm	0 PLC ±0.3 1 PLC ±0.10 2 PLC ±0.10 3 PLC ±0.10 4 PLC ±0.10 ANGLES ±1°	TE Connectivity NAME: CONNECTOR ASSEMBLY, FEMALE, 2 POSITION SEALED, 1.2mm SIDE LATCH TRANSMISSION PRODUCT SPEC: - APPLICATION SPEC: - SIZE: - CAGE CODE: - DRAWING NO: A100779C=2138873 WEIGHT: 2.07g Customer Drawing		
MATERIAL:	FINISH:	SCALE: 4:1 SHEET 1 OF 1 REV A		