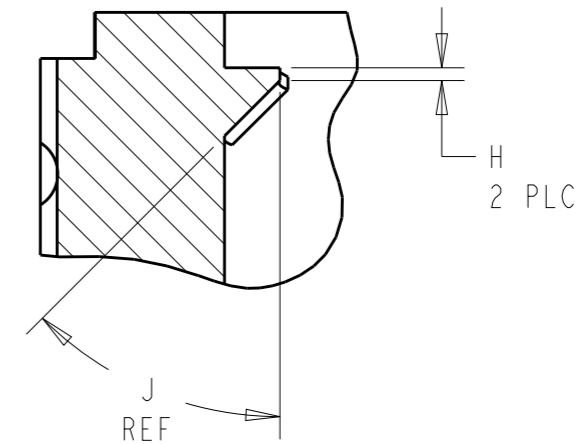
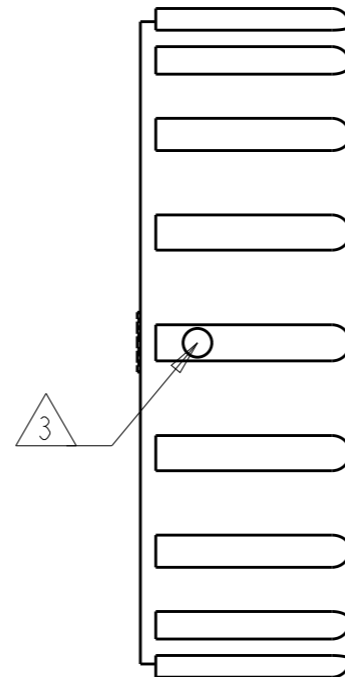
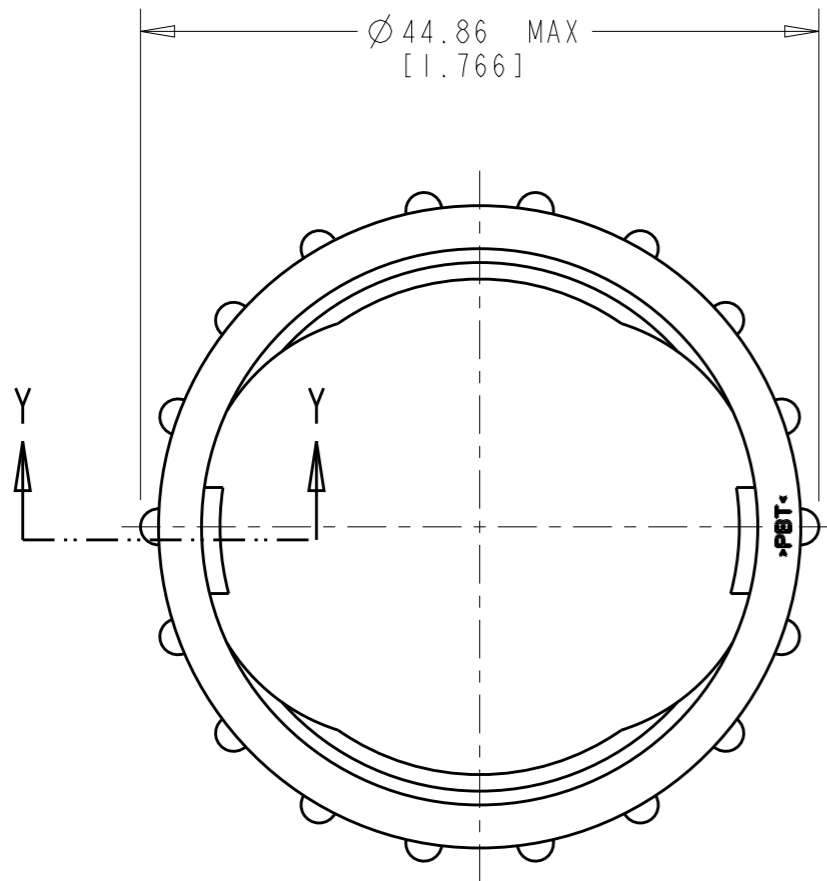


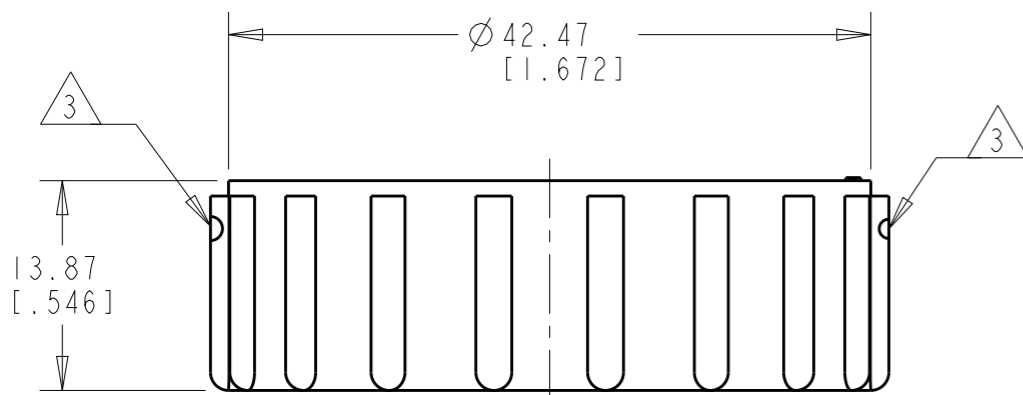
THIS DRAWING IS UNPUBLISHED. RELEASED FOR PUBLICATION
 © COPYRIGHT 19 BY - ALL RIGHTS RESERVED.

REVISIONS

P	LTR	DESCRIPTION	DATE	DWN	APVD
C		REVISED EC 0G3B-0343-00	28JUL2000	SW	MC
D		REVISED EC 0G3B-0124-02	08AUG2003	SW	SH
E		REVISED EC 0G3B-0025-05	13JAN2005	SW	HW
F		REVISED PER ECO-17-000037	10MAR2017	RS	MZ



SECTION Y-Y
SCALE 6:1



OBSOLETE	45°	0.28[.011]	①	213812-3
OBSOLETE	-	-	②	213812-2
	-	-	①	213812-1
	J	H	MATERIAL	PART NUMBER

- ① POLYESTER, BLACK.
- ② NYLON 6/6, NATURAL.
- ③ ALIGNMENT DOT INK STAMPED ON BOTH SIDES IN APPROXIMATE AREA SHOWN.

THIS DRAWING IS A CONTROLLED DOCUMENT.		DWN C. DORWART 22OCT98	TE Connectivity		
DIMENSIONS: mm [INCHES]		CHK K. DOWHOWER 22OCT98			
TOLERANCES UNLESS OTHERWISE SPECIFIED:		APVD K. DOWHOWER 22OCT98	NAME COUPLING RING, SIZE 23, CPC		
0 PLC ± 1 PLC ± 2 PLC ±0.25[.010] 3 PLC ± 4 PLC ± ANGLES ±		PRODUCT SPEC -	RESTRICTED TO -		
MATERIAL SEE TABLE		APPLICATION SPEC -	SIZE A3	CAGE CODE 00779	DRAWING NO C-213812
FINISH -		WEIGHT -	SCALE 2:1		SHEET 1 OF 1
		CUSTOMER DRAWING		REV F	