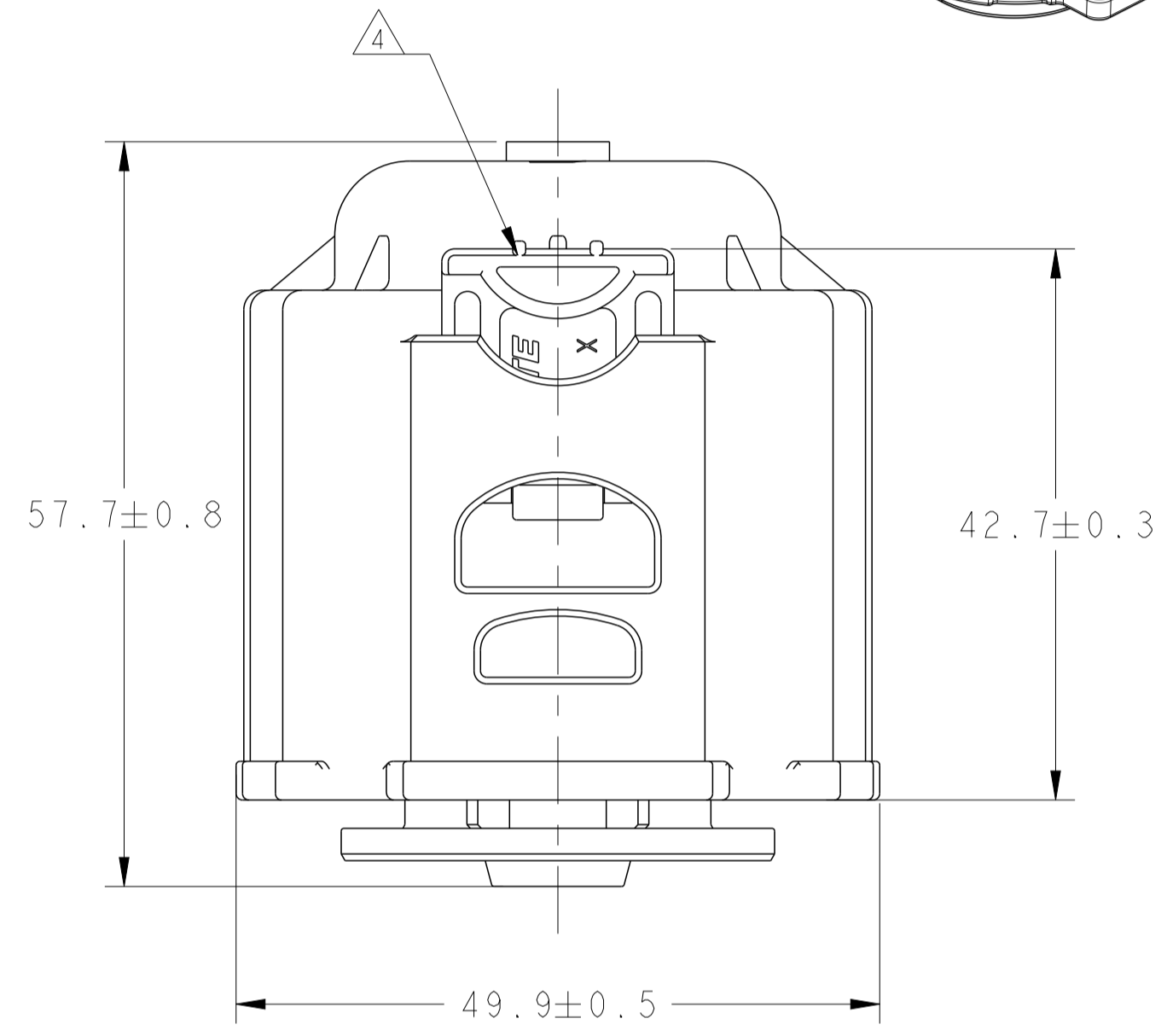
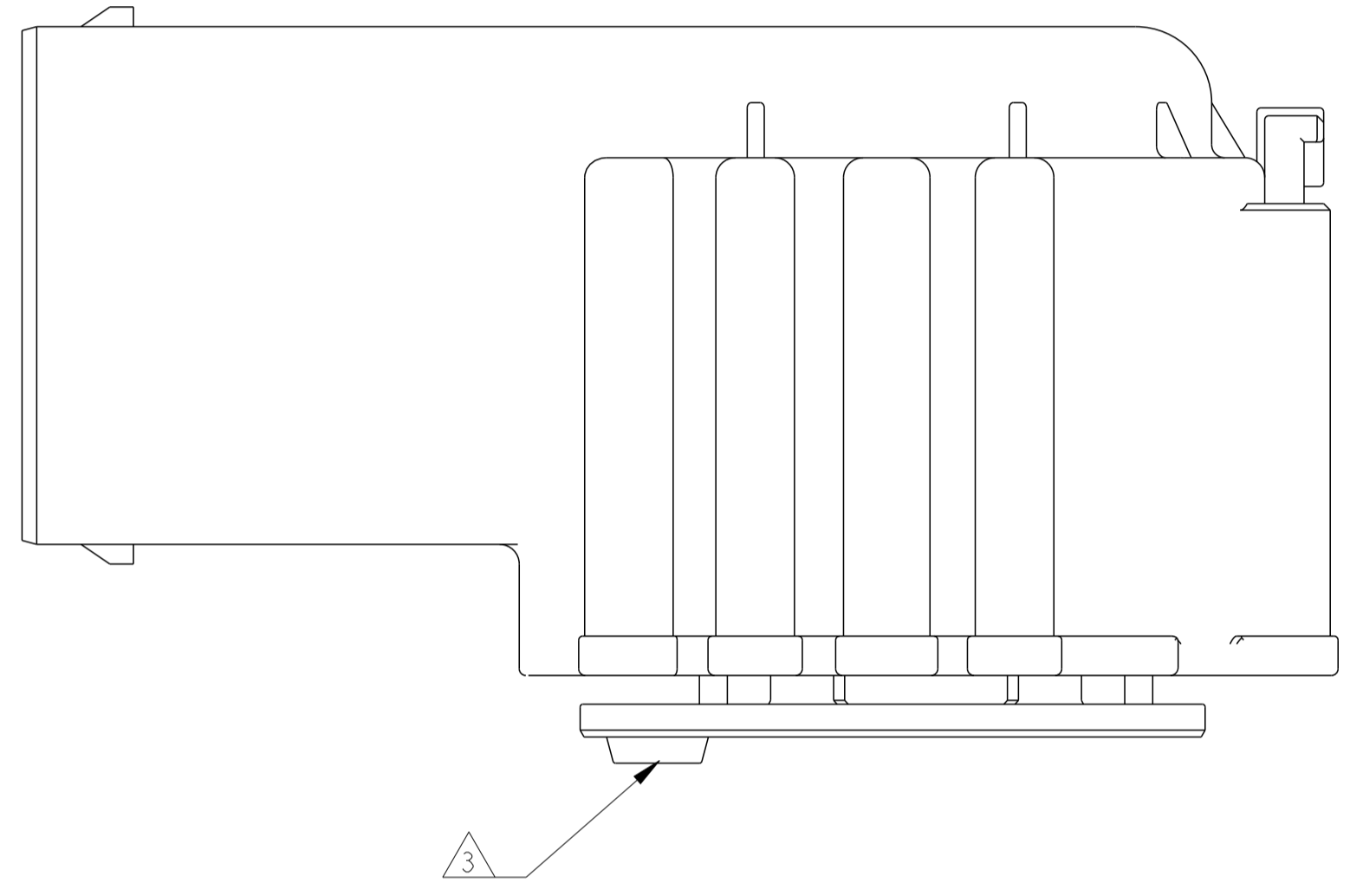
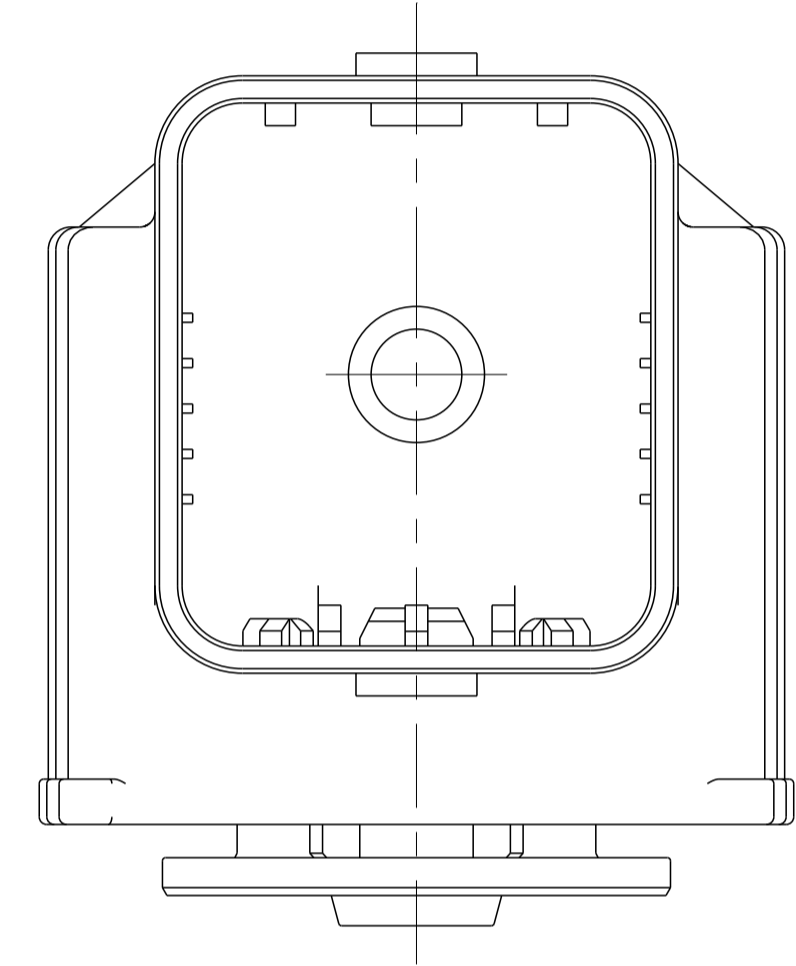
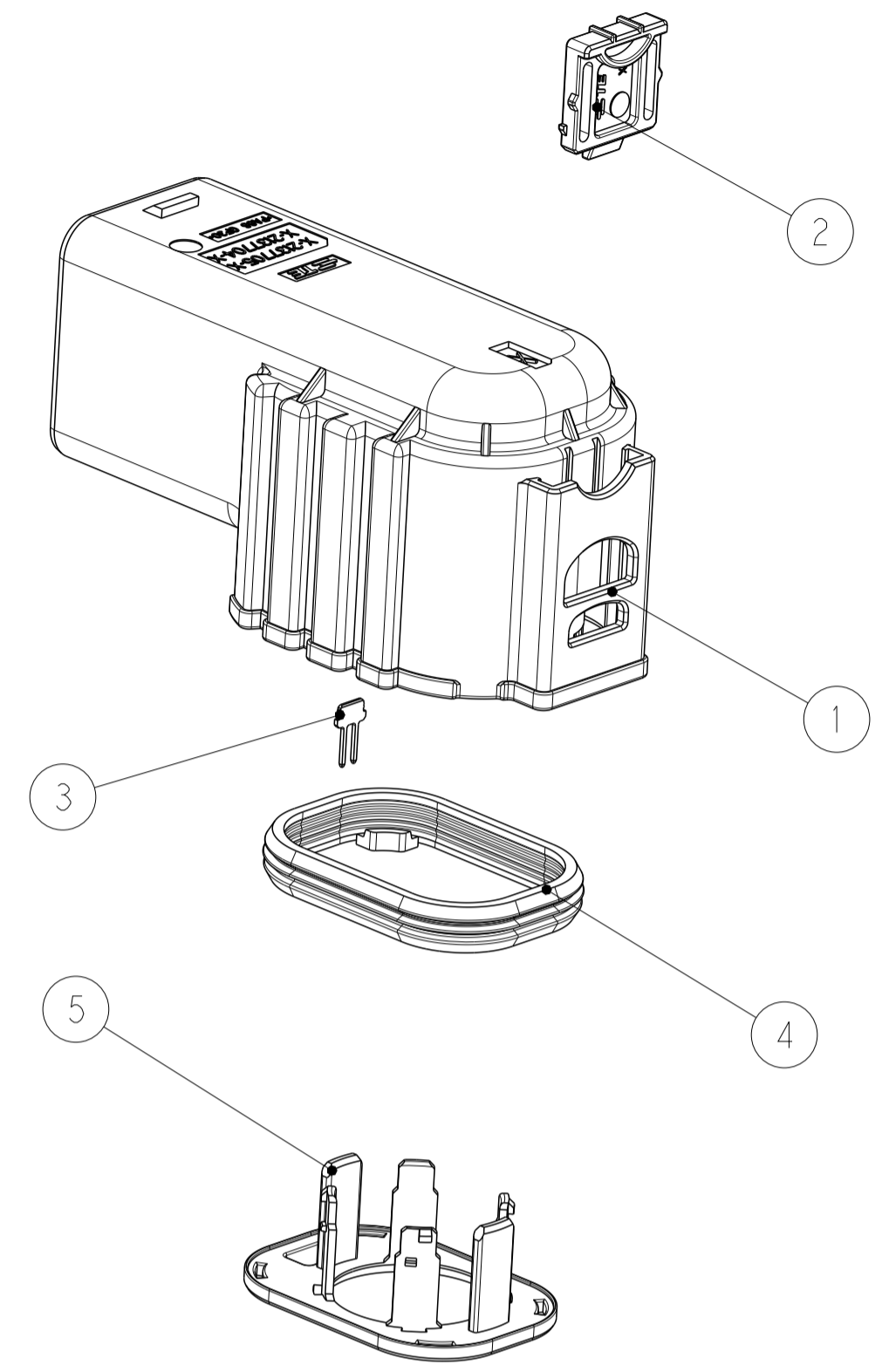
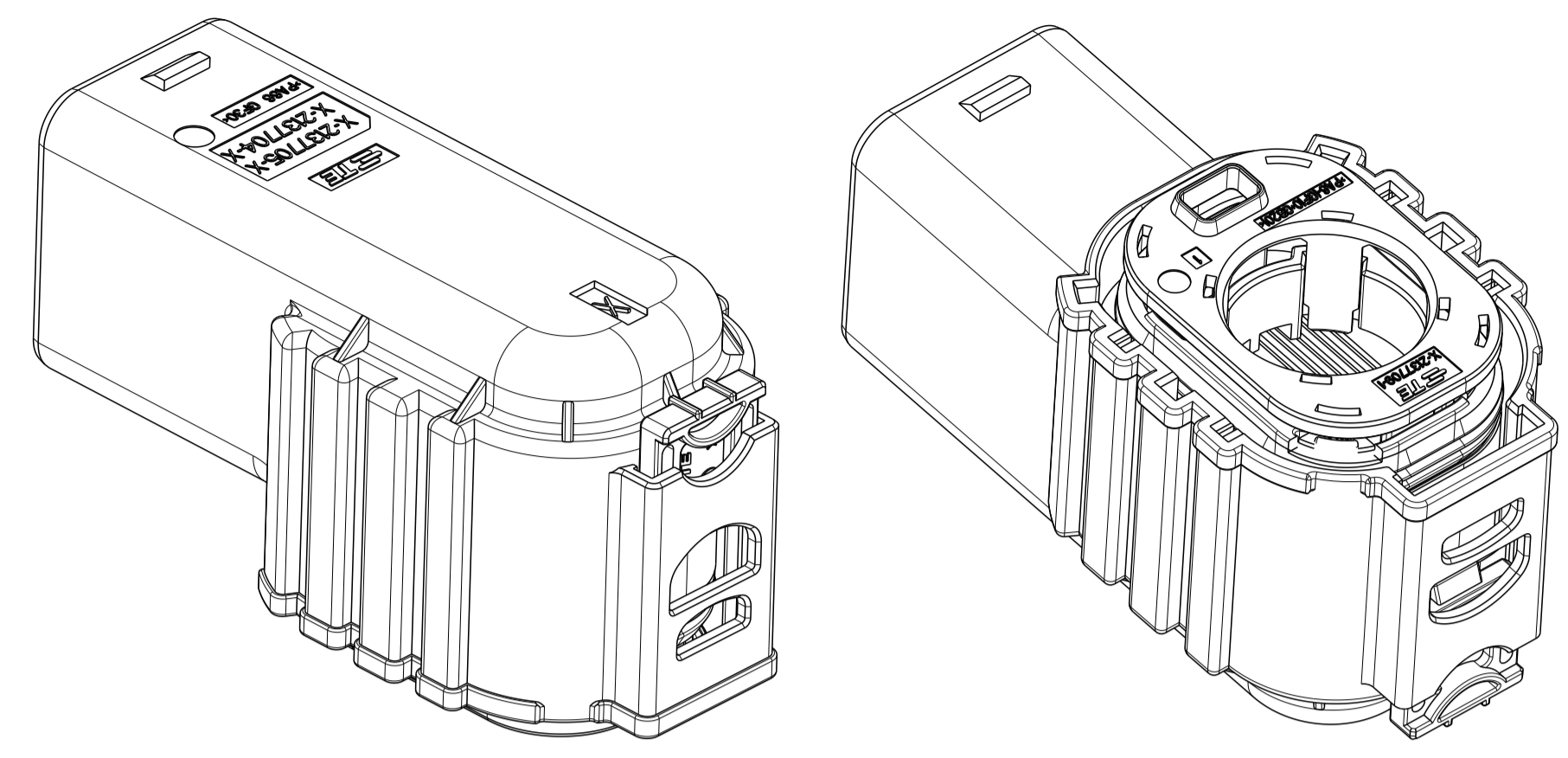
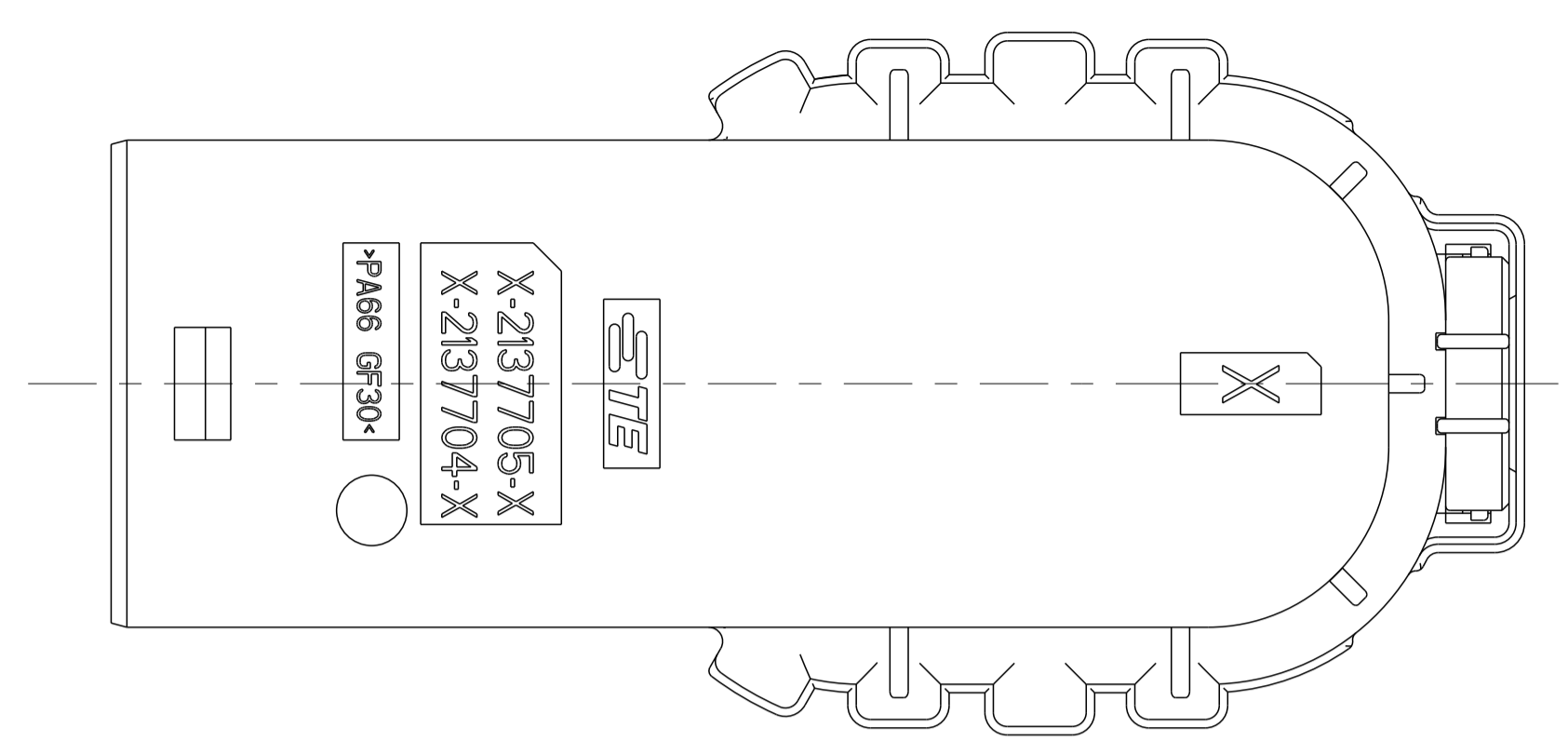
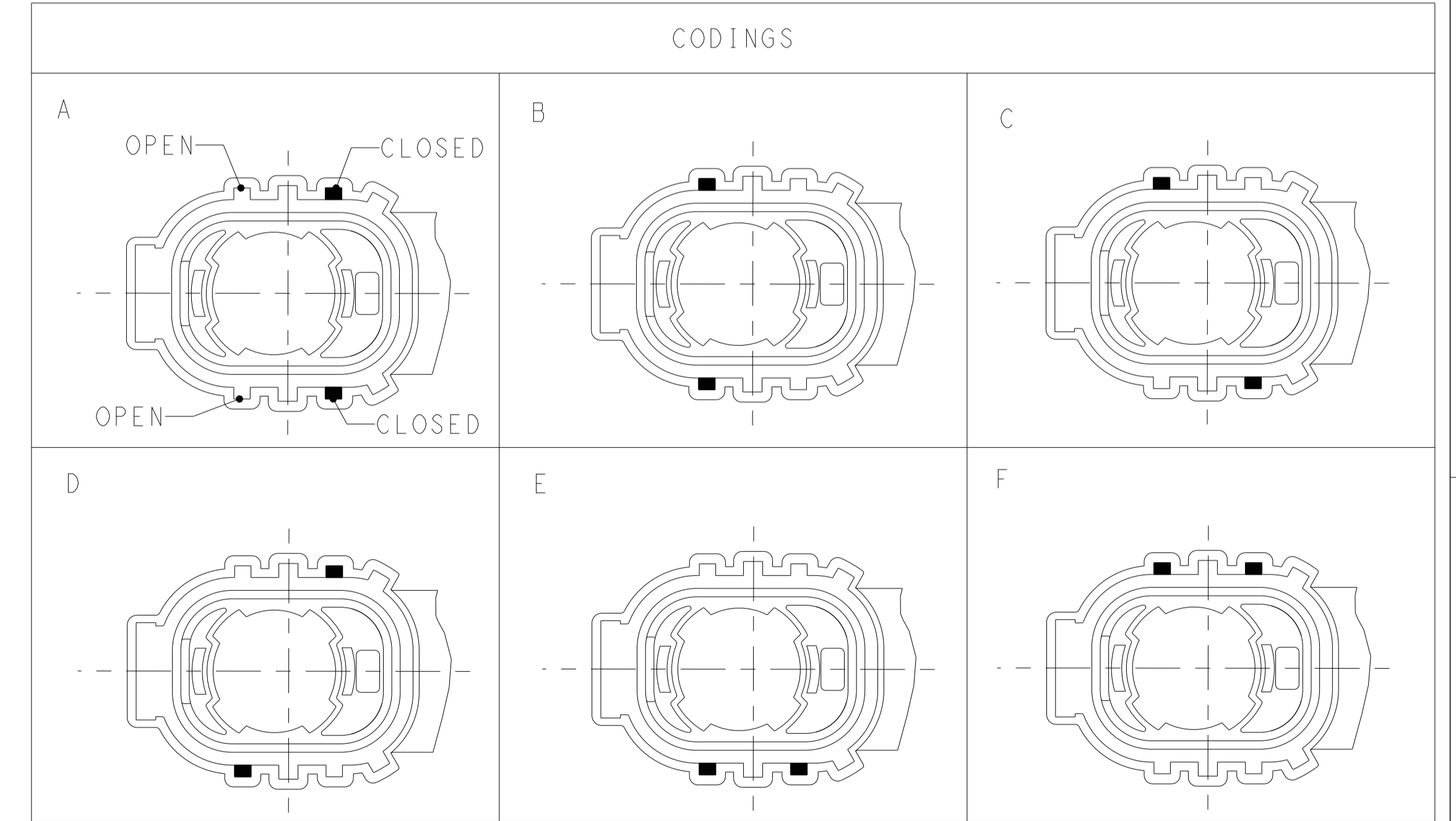
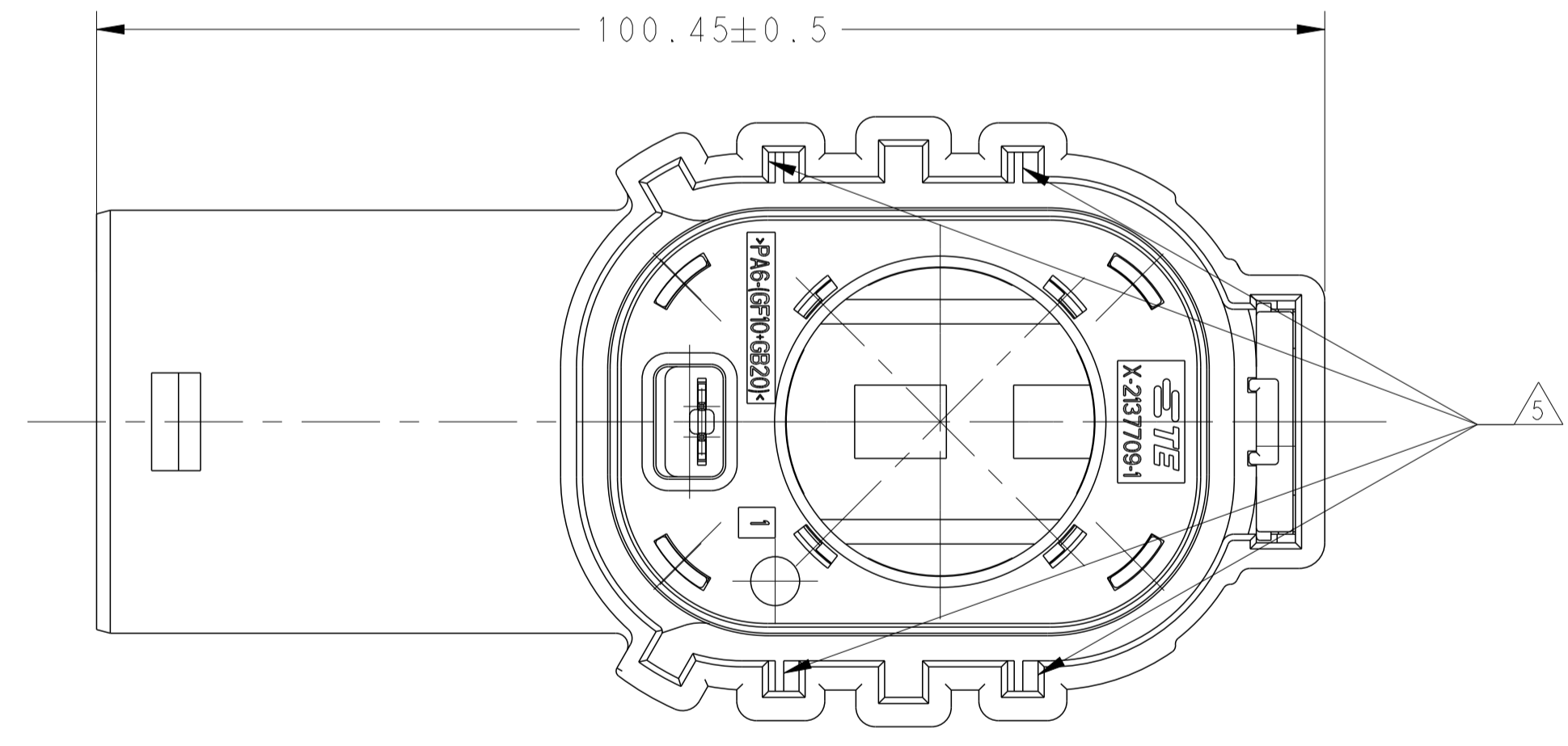


LOC	DIST	REVISIONS			
P	LTR	DESCRIPTION	DATE	DMN	APVD
A		RELEASED	08NOV11	EW	KO
A1		REVISED ECO-17-016624	17JAN18	D, D	E, J



NOTES

1. FINAL TEST: VISUAL INSPECTION FOR COMPLETENESS
2. LAYER PACKING WITH CORRUGATED
3. TPA SHOULD BE PRE-LOCK POSITION BEFORE TERMINAL ASSY, AND END-LOCK AFTER TERMINAL ASSY
4. CPA SHOULD BE PRE-LOCK POSITION
5. CODING AREA



THIS DRAWING IS A CONTROLLED DOCUMENT.		DMN: E. WANG 08NOV11	TE Connectivity
DIMENSIONS: mm		CHK: N. ZHOU 08NOV11	
TOLERANCES UNLESS OTHERWISE SPECIFIED:		APVD: K. QDA 08NOV11	NAME: HVP1100 1POS PLUG HSG ASSY SLD 90 DEG
0 PLC ±0.5 1 PLC ±0.13 2 PLC ±0.13 3 PLC ±0.13 4 PLC ±0.0001 ANGLES ±0.0001		PRODUCT SPEC: 108-101010 APPLICATION SPEC: 114-101010 WEIGHT:	
MATERIAL: FINISH:		SIZE: A1 CAGE CODE: 00779 DRAWING NO: C=2137704	RESTRICTED TO:
CUSTOMER DRAWING		SCALE: 2:1	SHEET 1 OF 2 REV A1

THIS DRAWING IS UNPUBLISHED. RELEASED FOR PUBLICATION 20
COPYRIGHT 20 BY - ALL RIGHTS RESERVED.

LOC		DIST		REVISIONS			
P	LTN	DESCRIPTION	DATE	DMN	APVD		
-		SEE SHEET 1		-	-	-	

A1	HVP1100 1POS PLUG HSG ASSY SLD 90 DEG V0	F	1-2137704-6							1															
		E	1-2137704-5									1													
		D	1-2137704-4											1											
		C	1-2137704-3													1									
		B	1-2137704-2															1							
		A	1-2137704-1																	1					
	HVP1100 1POS PLUG HSG ASSY SLD 90 DEG(HB)	F	2137704-6	1																					
E		2137704-5		1																					
D		2137704-4			1																				
C		2137704-3				1																			
B		2137704-2					1																		
A		2137704-1						1																	
DISCRIPTION	CODING	TE-ORDER-NO	OPTION(CODES)	F	E	D	C	B	A	F	E	D	C	B	A	RED RAL 3020	RED RAL 3020	NATURAL RAL 9001	RED RAL 3020	RED RAL 3020					
			COLOR	ORANGE RAL 2003					ORANGE RAL 2003					RED RAL 3020		RED RAL 3020		NATURAL RAL 9001		RED RAL 3020		RED RAL 3020			
			DISCRIPTION	HVP1100 1POS PLUG HSG 90 DEG SLD(HB)					HVP1100 1POS PLUG HSG 90 DEG SLD V0					CPA(HB)		CPA V0		SHUNT BAR		RADIAL SEAL		TPA(HB)		TPA V0	
			ITEM	1					1					2		2		3		4		5		5	

THIS DRAWING IS A CONTROLLED DOCUMENT.		DMN E. WANG	08NOV11	STE TE Connectivity
DIMENSIONS:		CHK N. ZHOU	08NOV11	
TOLERANCES UNLESS OTHERWISE SPECIFIED:		APVD K. QDA	08NOV11	
mm		NAME	HVP1100 1POS PLUG HSG ASSY SLD 90 DEG	
0 PLC ±		PRODUCT SPEC		RESTRICTED TO
1 PLC ±0.5		108-101203		
2 PLC ±0.13		APPLICATION SPEC		SCALE 2:1 SHEET 2 OF 2 REV A1
3 PLC ±0.13		114-101010		
4 PLC ±0.0001		WEIGHT		
ANGLES ±		CUSTOMER DRAWING		
FINISH		SIZE CAGE CODE DRAWING NO		
		A100779C=2137704		