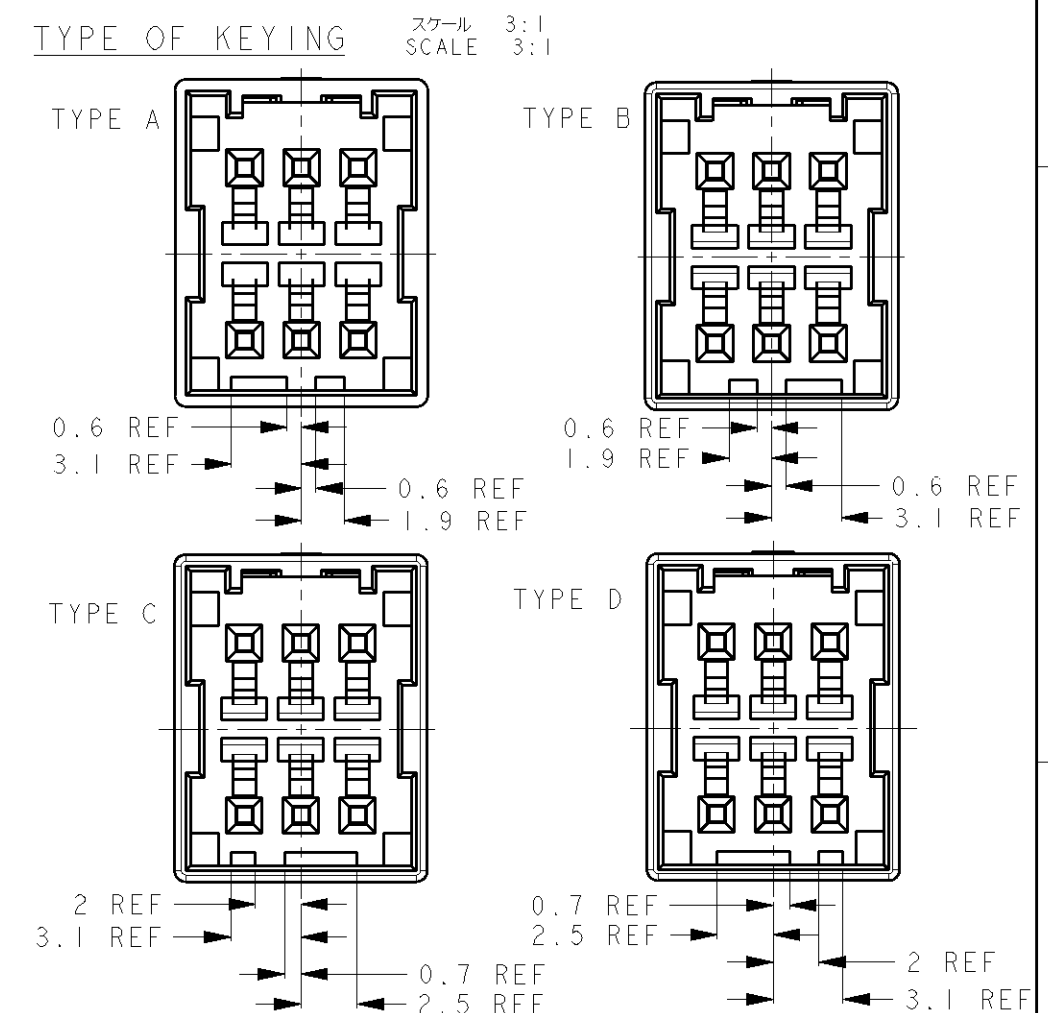
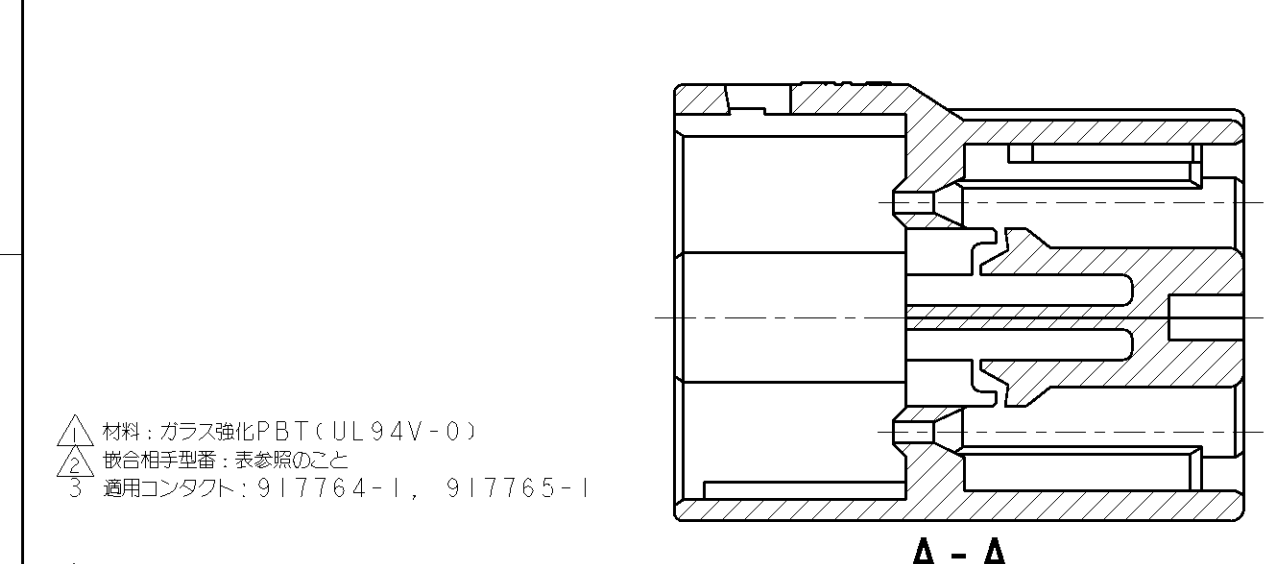
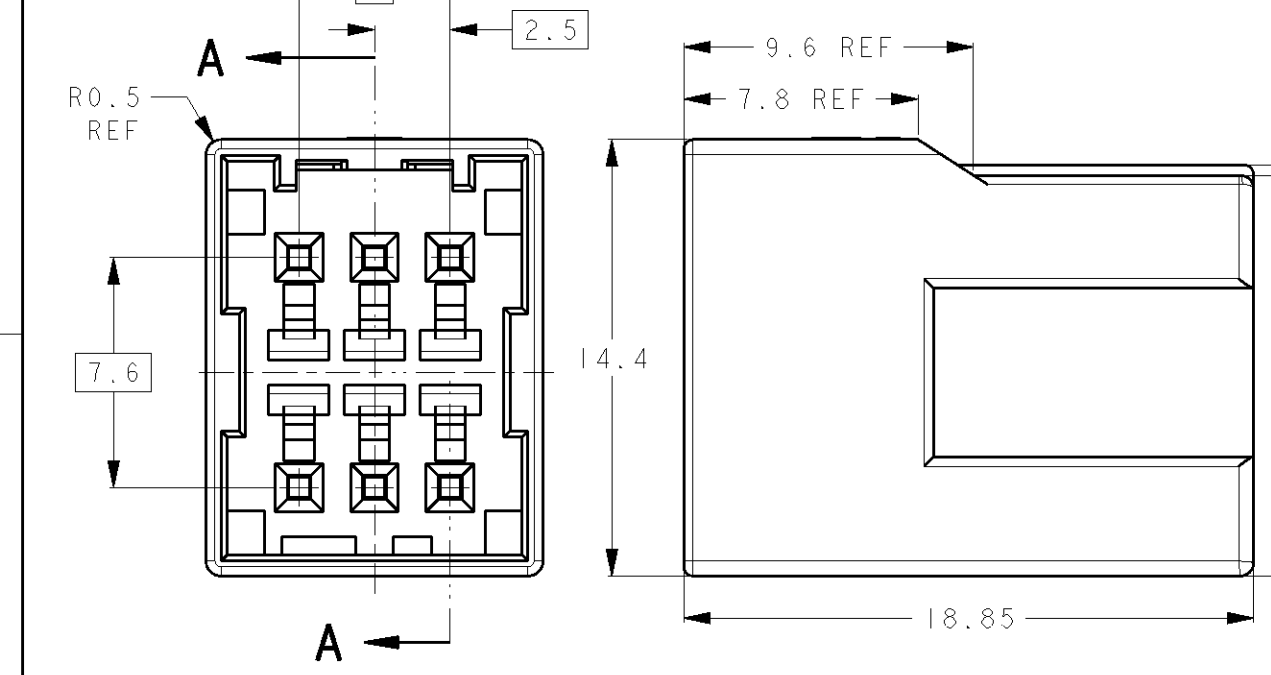
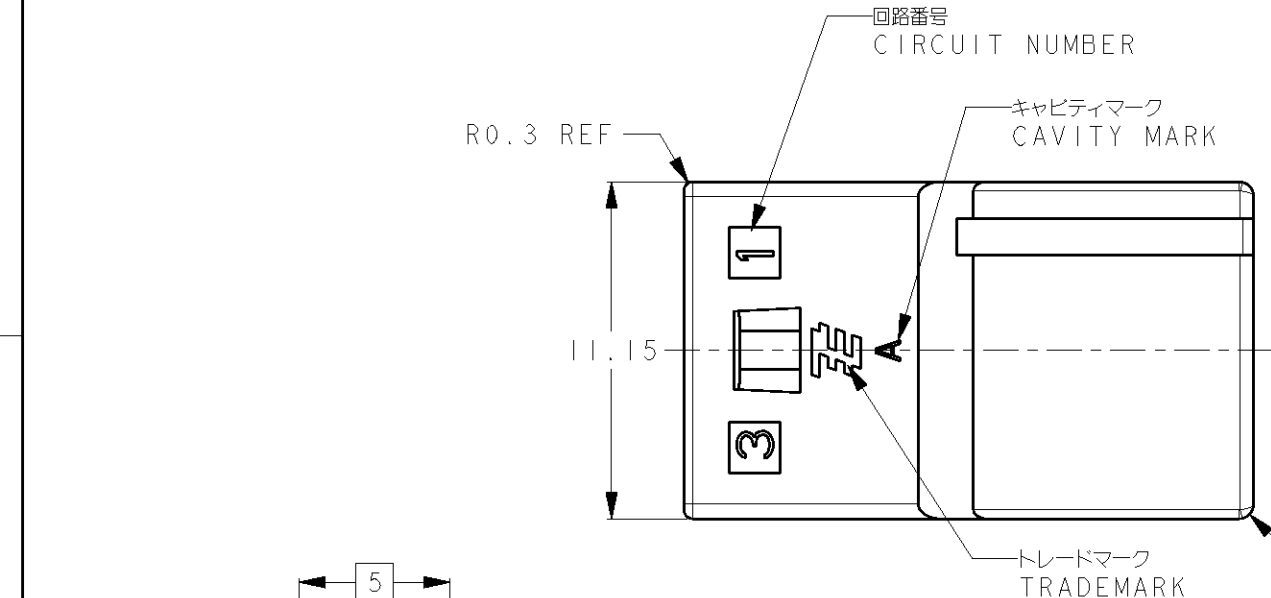


LOC	DIST	REVISIONS					
J	-	P	LTR	DESCRIPTION	DATE	DWN	APVD
		A		RELEASED	15NOV2010	Y.O	N.Y
		A1		REVISED, ECR-10-024232	24NOV2010	Y.O	N.Y
		A2		REVISED, ECR-10-025026	07DEC2010	Y.O	N.Y



嵌合相手 MATING HSG P/N	キーイング形状 TYPE OF KEYING	色調 COLOR	型番 PART NUMBER
4-2134905-2	TYPE B	BLACK 黒色	4-2134904-2
3-2134905-4	TYPE D	YELLOW 黄色	3-2134904-4
2-2134905-3	TYPE C	BLUE 青色	2-2134904-3
1-2134905-2	TYPE B	RED 赤色	1-2134904-2
2134905-1	TYPE A	NATURAL 自然色	2134904-1

△ 材料: ガラス強化PBT (UL94V-0)
 △ 嵌合相手型番: 表参照のこと
 3 適用コンタクト: 917764-1, 917765-1

△ MATERIAL: GLASS FILLED PBT (UL94V-0)
 △ MATING HOUSING P/N: SEE TABLE
 3 APPLICABLE CONTACT: 917764-1, 917765-1

THIS DRAWING IS A CONTROLLED DOCUMENT FOR TYCO ELECTRONICS CORPORATION. IT IS SUBJECT TO CHANGE AND THE CONTROLLING ENGINEERING ORGANIZATION SHOULD BE CONTACTED FOR THE LATEST REVISION.

DIMENSIONS: 単位: ㎜	TOLERANCES UNLESS OTHERWISE SPECIFIED: 一般公差 ±0.3
0 PLC ±	1 PLC ±
2 PLC ±	3 PLC ±
4 PLC ±	ANGLES ±
MATERIAL 材料	FINISH 仕上

DWN	Y. OKADA	15NOV2010
CHK	S. YAMADA	15NOV2010
APVD	N. YAMASAKI	15NOV2010
PRODUCT SPEC 製品規格	108-78350	
APPLICATION SPEC 取付適用規格		
WEIGHT	1.86	

Tyco Electronics Tyco Electronics Corporation
Kawasaki, Japan

NAME 名称: GRACE INERTIA CONNECTOR 2.5W
CAP HOUSING 6P

SIZE	CAGE CODE	DRAWING NO 番号	RESTRICTED TO
A3	00779	C=2134904	-

CUSTOMER DRAWING SCALE 尺度 4:1 SHEET 1 OF 1 REV A2