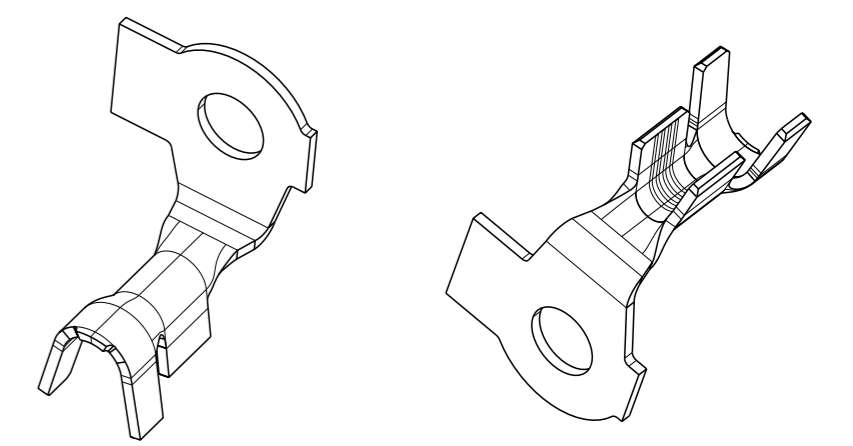
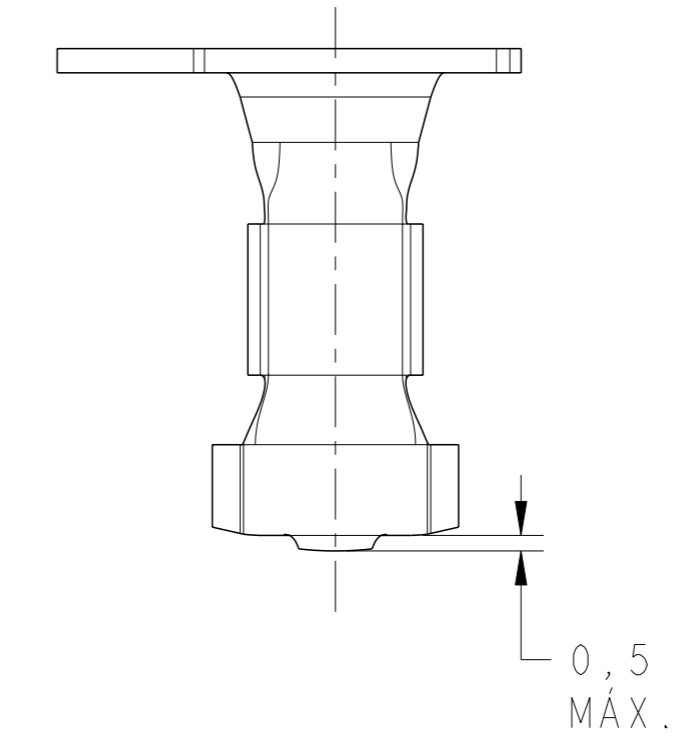
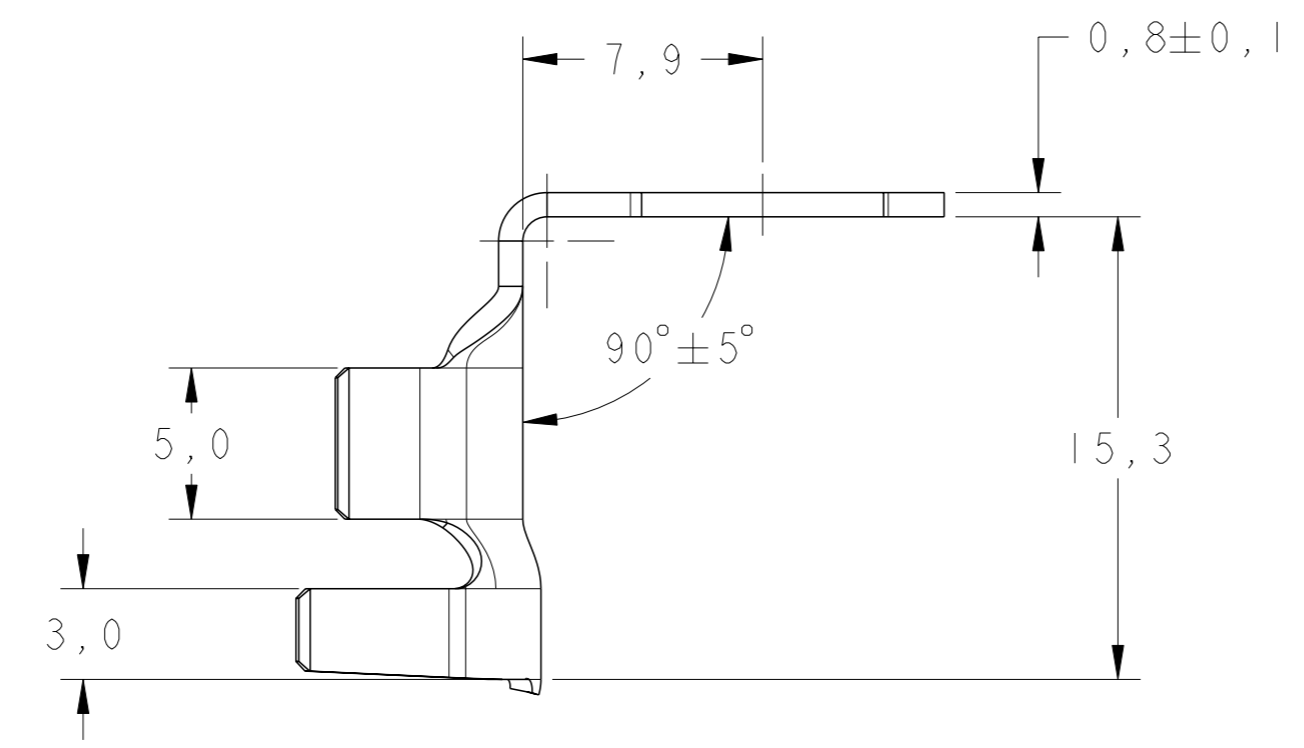
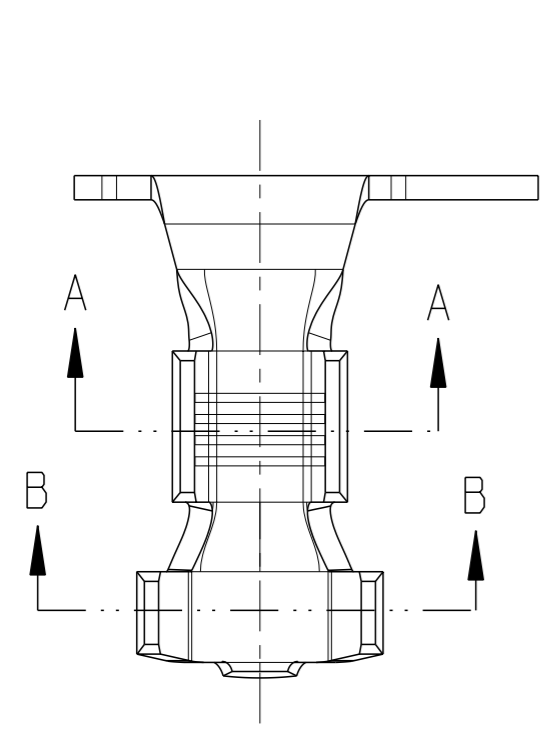
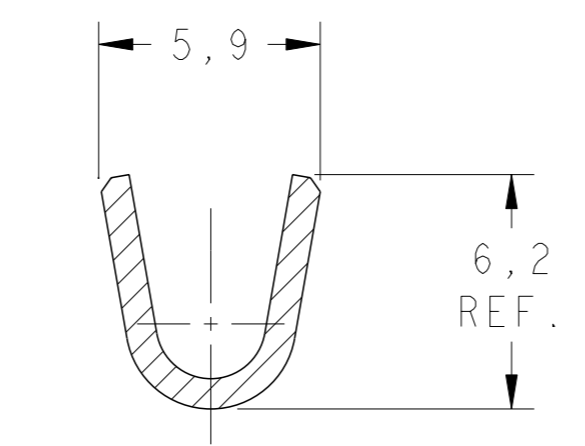
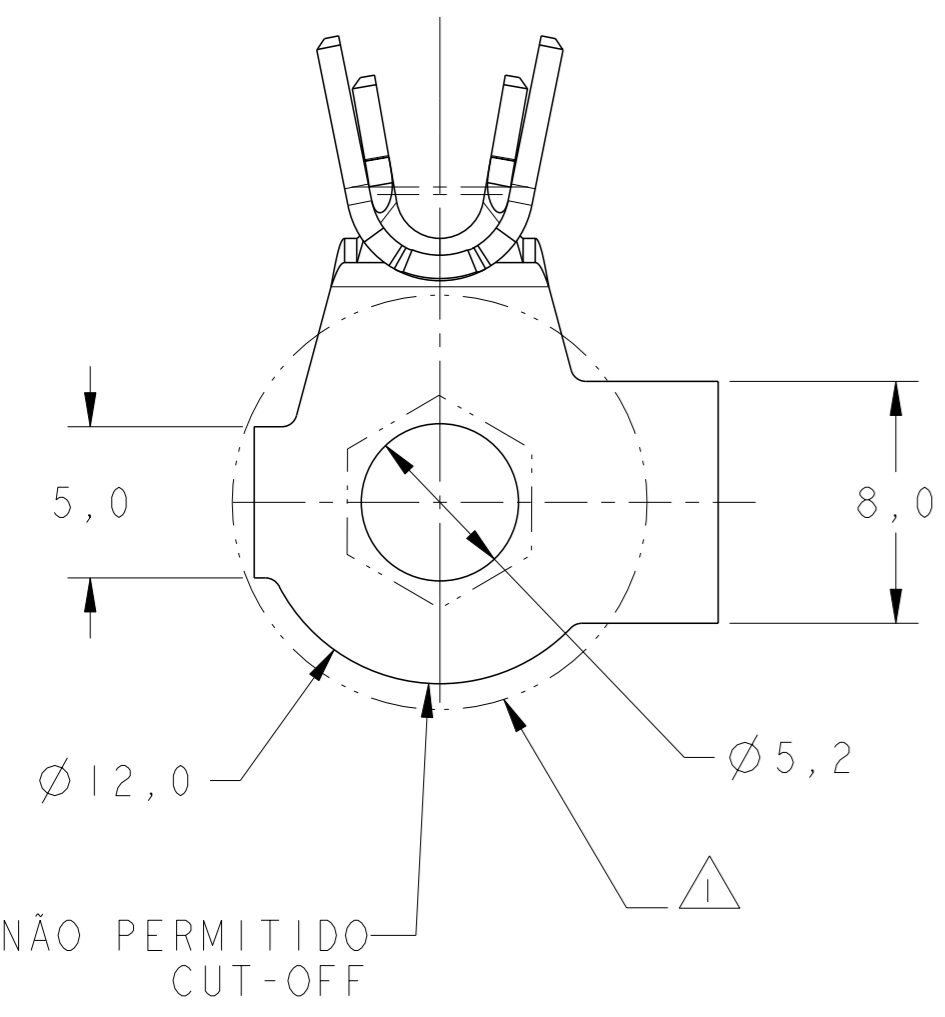


THIS DRAWING IS UNPUBLISHED. RELEASED FOR PUBLICATION 20
 © COPYRIGHT 20 ALL RIGHTS RESERVED.

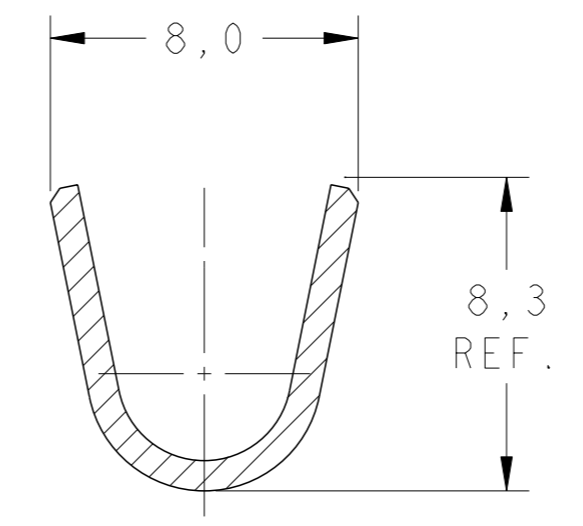
| LOC | | DIST | | REVISIONS | | | |
|-----|-----|-------------|--------------------------------------|-----------|------|-----|--|
| P | LTR | DESCRIPTION | DATE | DWN | APVD | | |
| AP | - | A | RELEASED TO PRODUCTION ECO-12-018266 | 31OCT2012 | FC | MG | |
| | | AI | CHANGE STATUS ECO-12-022023 | 04JAN2013 | NCL | DAO | |



PERSPECTIVE VIEWS
SCALE 2:1



SECTION A-A
SCALE 5:1



SECTION B-B
SCALE 5:1

⚠ - SOQUETE PARA PARAFUSAMENTO PORCA M5, (ØEXT. 13,7 MÁX): APENAS P/ ILUSTRAÇÃO DO ESPAÇO DISPONÍVEL.
 - M5 NUT SCREWING SOCKET (EXT. DIA. 13,7 MAX): ONLY TO SHOWN AVAILABLE SPACE ILLUSTRATION.

| | | | | | |
|--|--------------|------------------|------------------------|---|-------------|
| WIRE RANGE | INSUL. RANGE | LOOSE PIECE | ESTANHADO / TIN PLATED | LATÃO / BRASS | 2133345 -1 |
| >4,0~6,0mm ² | Ø4,0~5,2mm | SUPPLIED | FINISH | MATERIAL | PART NUMBER |
| THIS DRAWING IS A CONTROLLED DOCUMENT. | | DWN | 27MAY2011 | TE Connectivity TERMINAL RING TONGUE M5 | |
| DIMENSIONS: mm | | CHK | 27MAY2011 | | |
| TOLERANCES UNLESS OTHERWISE SPECIFIED: | | APVD | 27MAY2011 | | |
| 0 PLC ± | | PRODUCT SPEC | | NAME | |
| 1 PLC ±0,3 | | APPLICATION SPEC | | SIZE | |
| 2 PLC ± | | WEIGHT | | CAGE CODE | |
| 3 PLC ± | | CUSTOMER DRAWING | | DRAWING NO | |
| 4 PLC ± | | SCALE 4:1 | | RESTRICTED TO | |
| ANGLES ±3° | | SHEET 1 OF 1 | | REV A1 | |
| FINISH | | A200779 | | C-2133345 | |